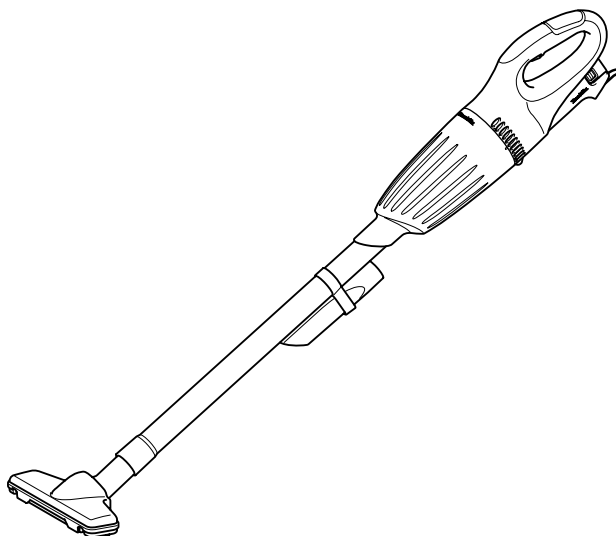
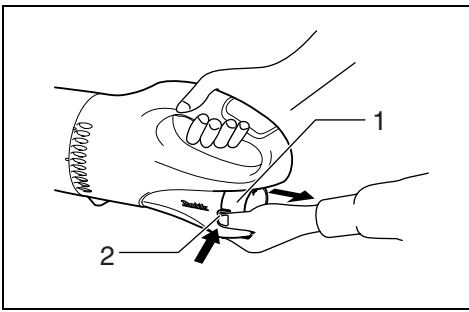




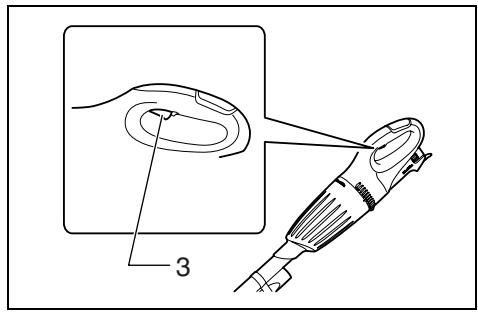
GB	Cordless Cleaner	Instruction Manual
F	Aspirateur sans fil	Manuel d'instructions
D	Akku-Staubsauger	Betriebsanleitung
I	Aspiratore a batteria	Istruzioni per l'uso
NL	Accustofzuiger	Gebruiksaanwijzing
E	Aspirador Inalámbrica	Manual de instrucciones
P	Aspirador de Pó a Bateria	Manual de instruções
DK	Akku-støvsuger	Brugsanvisning
GR	Ηλεκτρικό σκουπάκι χωρίς καλώδιο	Οδηγίες χρήσεως

CL070D
CL100D

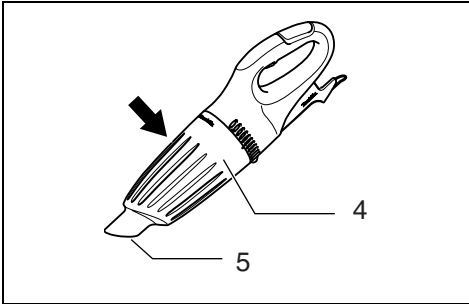




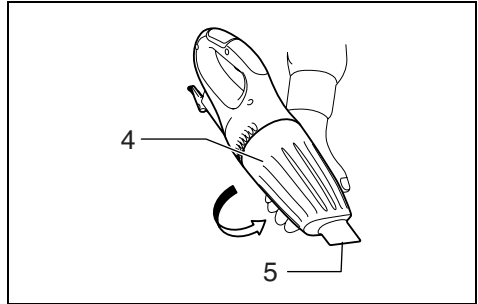
1 010015



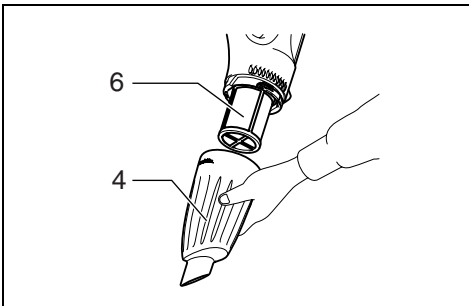
2 010016



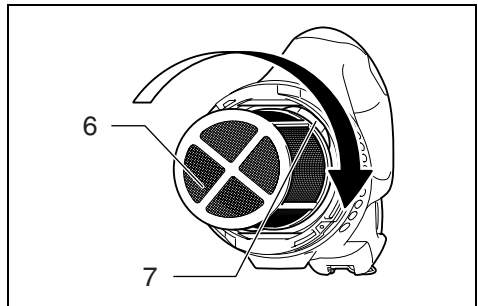
3 010022



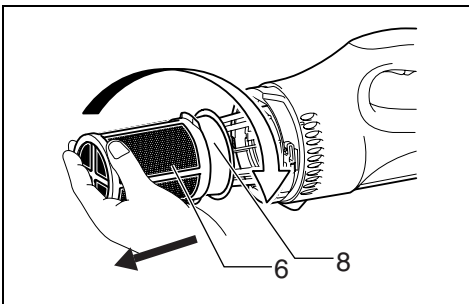
4 010023



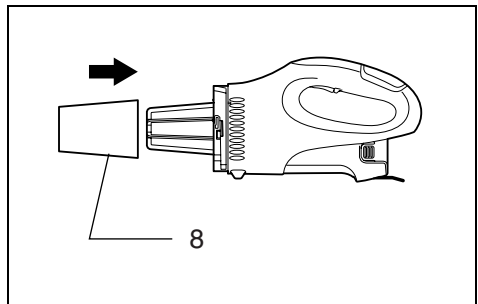
5 010024



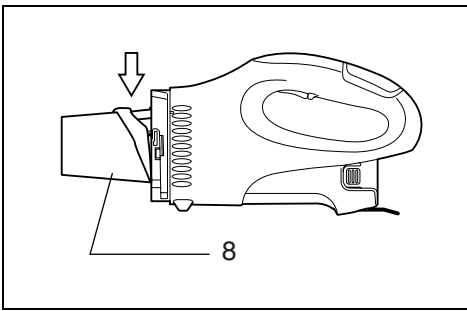
6 010025



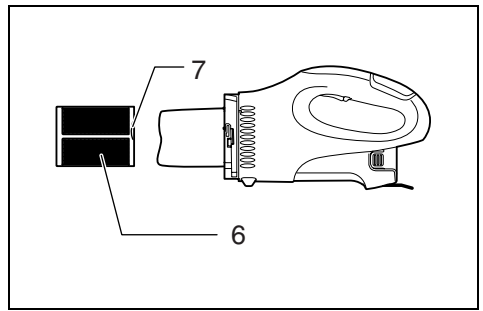
7 010026



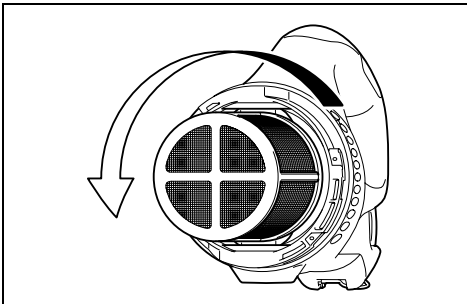
8 010027



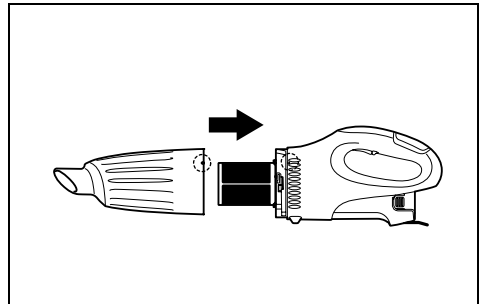
9 010028



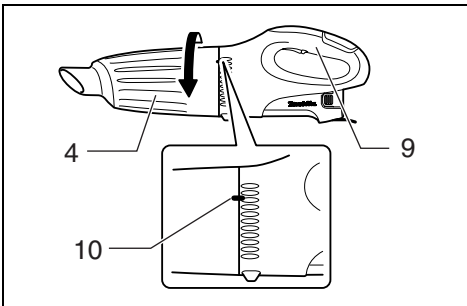
10 010029



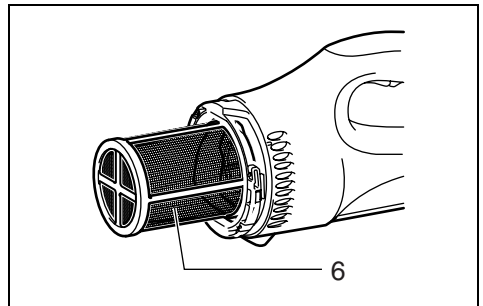
11 010030



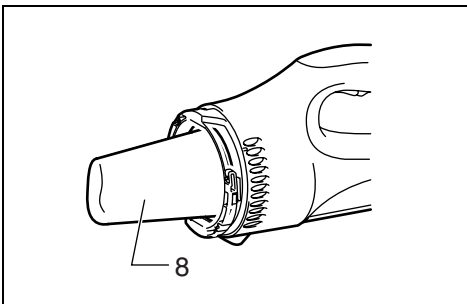
12 010031



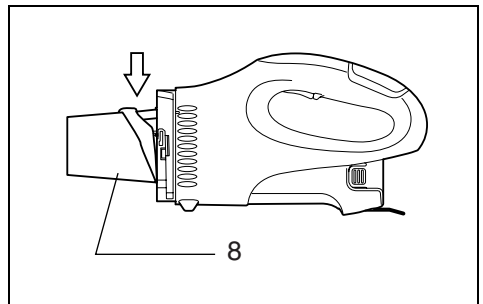
13 010032



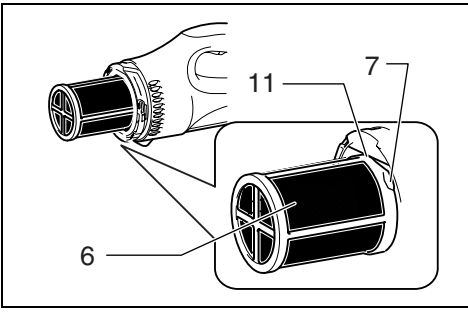
14 010033



15 010034

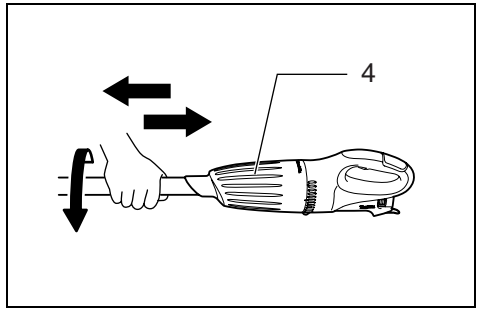


16 010028



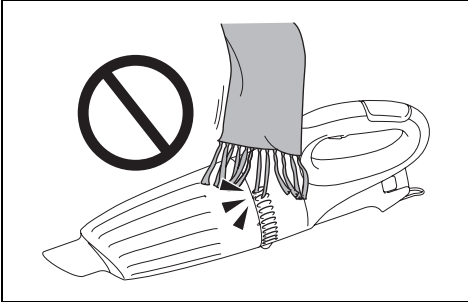
17

010036



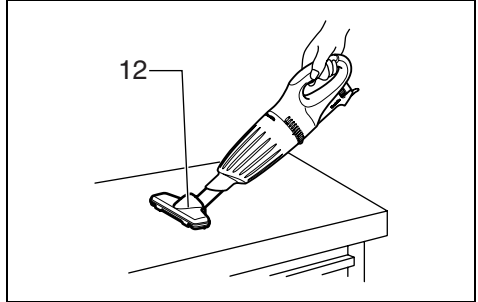
18

010017



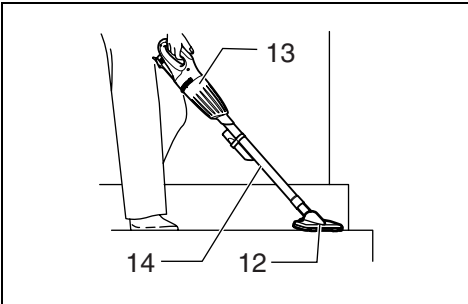
19

0995201



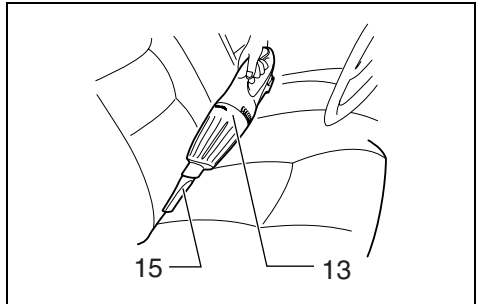
20

010018



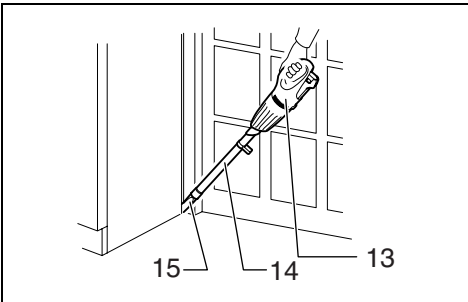
21

010019



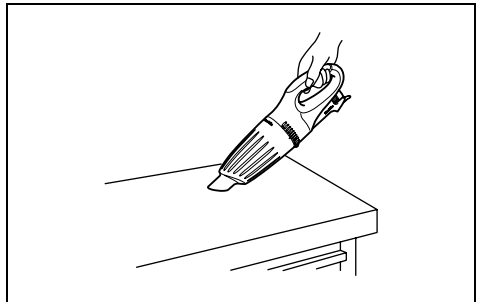
22

010020



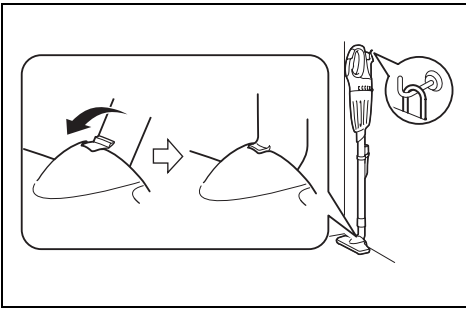
23

010021



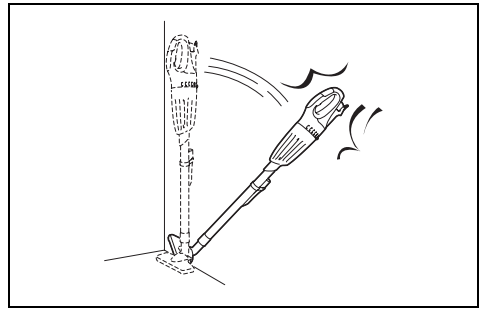
24

010020



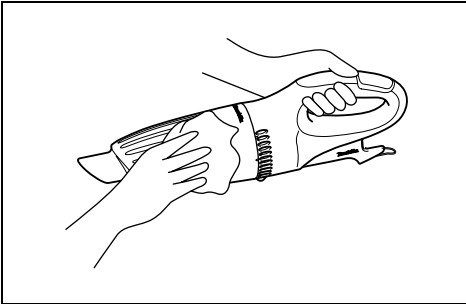
25

015592



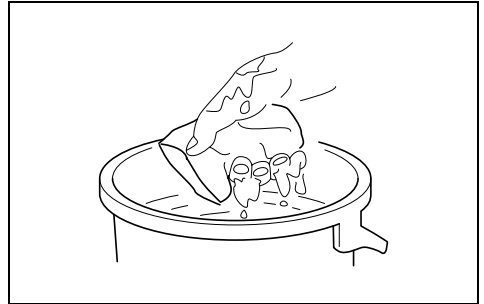
26

015593



27

010038



28

010009

WARNING: This appliance can be used by children aged from 8 years and above and persons with reduced physical, sensory or mental capabilities or lack of experience and knowledge if they have been given supervision or instruction concerning use of the appliance in a safe way and understand the hazards involved. Children shall not play with the appliance. Cleaning and user maintenance shall not be made by children without supervision.

Explanation of general view

1 Battery cartridge	6 Prefilter	11 Groove of cleaner housing
2 Button	7 Securing lip	12 Nozzle
3 Switch trigger	8 Filter	13 Cleaner body
4 Capsule	9 Handle	14 Extension wand
5 Suction inlet	10 Projection	15 Corner nozzle

SPECIFICATIONS

Model	CL070D		CL100D
Capacity	600 mL		
Continuous use	Approx. 8 min.	Approx. 12 min.	Approx. 12 min.
Overall length	966 mm		
Net weight	0.81 kg		0.88 kg
Battery cartridge(s)	BL7010	BL0715	BL1013
Rated voltage	D.C. 7.2 V		D.C. 10.8 V

- Due to our continuing program of research and development, the specifications herein are subject to change without notice.
- Specifications may differ from country to country.
- Weight, with battery cartridge, according to EPTA-Procedure 01/2003

Intended use

The tool is intended for collecting dry dust.

ENE017-1

ENA005-5

IMPORTANT

SAFETY INSTRUCTIONS

When using an electrical appliance, basic precautions should always be followed, including the following:

READ ALL INSTRUCTIONS BEFORE USING THIS APPLIANCE.

WARNING – To reduce the risk of fire, electric shock or injury:

1. Do not expose to rain. Store indoors.
2. Do not allow to be used as a toy. Close attention is necessary when used by or near children.
3. Use only as described in this manual. Use only manufacturer's recommended attachments.

4. Do not use with damaged battery. If appliance is not working as it should, has been dropped, damaged, left outdoors, or dropped into water, return it to a service center.
5. Do not handle appliance with wet hands.
6. Do not put any object into openings. Do not use with any opening blocked; keep free of dust, lint, hair, and anything that may reduce air flow.
7. Keep hair, loose clothing, fingers, and all parts of body away from openings and moving parts.
8. Turn off all controls before removing the battery.
9. Use extra care when cleaning on stairs.
10. Do not use to pick up flammable or combustible liquids, such as gasoline, or use in areas where they may be present.
11. Use only the charger supplied by the manufacturer to recharge.
12. Do not pick up anything that is burning or smoking, such as cigarettes, matches, or hot ashes.
13. Do not use without filters in place.
14. Do not charge the battery outdoors.

Battery tool use and care

15. Recharge only with the charger specified by the manufacturer. A charger that is suitable for one type of battery pack may create a risk of fire when used with another battery pack.
16. Use power tools only with specifically designated battery packs. Use of any other battery packs may create a risk of injury and fire.

17. When (the) battery pack is not in use, keep it away from other metal objects, like paper clips, coins, keys, nails, screws or other small metal objects, that can make a connection from one terminal to another.
18. Under abusive conditions, liquid may be ejected from the battery; avoid contact. If contact accidentally occurs, flush with water.

SAVE THESE INSTRUCTIONS.

This appliance is intended for household use.

ENB114-3

ADDITIONAL SAFETY RULES

1. Read this instruction manual and the charger instruction manual carefully before use.
2. Do not pick up the following materials:
 - Hot materials such as lit cigarettes or spark/metal dust generated by grinding/cutting metal
 - Flammable materials such as gasoline, thinner, benzine, kerosene or paint
 - Explosive materials like nitroglycerin
 - Ignitable materials such as Aluminum, zinc, magnesium, titanium, phosphorus or celluloid
 - Wet dirt, water, oil or the like
 - Hard pieces with sharp edges, such as wood chips, metals, stones, glasses, nails, pins or razors
 - Powder to clot such as cement or toner
 - Conductive dust such as metal or carbon
 - Fine particle like concrete dust

Such action may cause fire, injury and/or property damage.

3. Stop operation immediately if you notice anything abnormal.
4. If you drop or strike the cleaner, check it carefully for cracks or damage before operation.
5. Do not bring close to stoves or other heat sources.
6. Do not block the intake hole or vent holes.

SAVE THESE INSTRUCTIONS.

ENC009-4

IMPORTANT SAFETY INSTRUCTIONS

FOR BATTERY CARTRIDGE

1. Before using battery cartridge, read all instructions and cautionary markings on (1) battery charger, (2) battery, and (3) product using battery.
2. Do not disassemble battery cartridge.
3. If operating time has become excessively shorter, stop operating immediately. It may result in a risk of overheating, possible burns and even an explosion.
4. If electrolyte gets into your eyes, rinse them out with clear water and seek medical attention right away. It may result in loss of your eyesight.
5. Do not short the battery cartridge:
 - (1) Do not touch the terminals with any conductive material.
 - (2) Avoid storing battery cartridge in a container with other metal objects such as nails, coins, etc.

- (3) Do not expose battery cartridge to water or rain.

A battery short can cause a large current flow, overheating, possible burns and even a breakdown.

6. Do not store the tool and battery cartridge in locations where the temperature may reach or exceed 50°C (122°F).
7. Do not incinerate the battery cartridge even if it is severely damaged or is completely worn out. The battery cartridge can explode in a fire.
8. Be careful not to drop or strike battery.
9. Do not use a damaged battery.
10. The contained lithium-ion batteries are subject to the Dangerous Goods Legislation requirements.

For commercial transports e.g. by third parties, forwarding agents, special requirement on packaging and labeling must be observed.

For preparation of the item being shipped, consulting an expert for hazardous material is required. Please also observe possibly more detailed national regulations.

Tape or mask off open contacts and pack up the battery in such a manner that it cannot move around in the packaging.

11. Follow your local regulations relating to disposal of battery.

SAVE THESE INSTRUCTIONS.

CAUTION: Only use genuine Makita batteries.

Use of non-genuine Makita batteries, or batteries that have been altered, may result in the battery bursting causing fires, personal injury and damage. It will also void the Makita warranty for the Makita tool and charger.

Tips for maintaining maximum battery life

1. Charge the battery cartridge before completely discharged. Always stop tool operation and charge the battery cartridge when you notice less tool power.
2. Never recharge a fully charged battery cartridge. Overcharging shortens the battery service life.
3. Charge the battery cartridge with room temperature at 10°C – 40°C (50°F – 104°F). Let a hot battery cartridge cool down before charging it.

FUNCTIONAL DESCRIPTION

CAUTION:

- Always be sure that the tool is switched off and the battery cartridge is removed before adjusting or checking function on the tool.

Installing or removing battery cartridge (Fig. 1)

- Always switch off the tool before insertion or removal of the battery cartridge.
- To remove the battery cartridge, withdraw it from the tool while pressing the buttons on both sides of the cartridge.
- To insert the battery cartridge, hold it so that the battery cartridge front shape fits to that of the battery installment opening and slip it into place. Always insert it all the way until it locks in place with a little click. If not, it may accidentally fall out of the tool, causing injury to you or someone around you.

- Do not use force when inserting the battery cartridge. If the cartridge does not slide in easily, it is not being inserted correctly.

Switch action (Fig. 2)

CAUTION:

- Before inserting the battery cartridge into the tool, always check to see that the switch trigger actuates properly and returns to the "OFF" position when released.

To start the tool, simply pull the switch trigger. Release the switch trigger to stop.

ASSEMBLY

CAUTION:

- Always be sure that the tool is switched off and the battery cartridge is removed before carrying out any work on the tool.

Disposing of Dust

CAUTION:

- Empty the cleaner before it becomes too full, or the suction force weakens.
- Be sure to empty out the dust inside the cleaner itself. Failure to do so may cause the filter to be clogged or the motor to be damaged.

In order to drop dust sticking on the filter in the capsule, tap the capsule 4 or 5 times with your hand. (Fig. 3)

Now point suction inlet downwards, turn capsule in direction of arrow in diagram, and disconnect capsule slowly and straight. (Fig. 4)

NOTE:

- Dust may spill out when capsule is opened, so be sure to set a garbage bag beneath capsule.

Remove accumulated dust from inside of capsule and off of prefilter. (Fig. 5)

Twist prefilter in direction of arrow to unfasten securing lip from cleaner unit and then pull off prefilter. (Fig. 6)

Clean out fine dust from prefilter. Next, remove filter, and lightly tap to dislodge dust. (Fig. 7)

Reassembly

Put on filter until it is fully in position on the cleaner unit. (Fig. 8)

NOTE:

- Make sure filter is put on straight without being peeled back. If filter is put on incorrectly as shown in diagram, dust will get into motor housing, and cause motor failure. (Fig. 9)

Connect prefilter. At this time, make sure to twist prefilter so that securing lip is firmly locked into cleaner unit. (Fig. 10 & 11)

Connect capsule. Align projection on capsule with projection on handle and then firmly twist capsule in direction of arrow until it is secured. (Fig. 12 & 13)

NOTE:

- Always remove dust ahead of time, as suction power will be reduced if there is too much dust in cleaner.
- Always be sure to check that both filter and prefilter are loaded correctly prior to using cleaner. If they are not loaded correctly, dust will get into the motor housing, and cause motor failure. If the following examples occur, filter and prefilter are not loaded correctly. Reload them correctly to rectify problem.

Problem Examples

Example 1: Only prefilter has been loaded (no filter) (Fig. 14)

Example 2: Only filter has been loaded (no prefilter) (Fig. 15)

Example 3: Filter has been loaded in a peeled back state (Fig. 16)

Example 4: Prefilter's securing lip is not firmly locked into groove of cleaner housing (Fig. 17)

OPERATION

CAUTION:

- To connect attachments, such as nozzle, twist-insert attachment in direction of arrow to ensure secure connection during use. To disconnect attachment, twist-extract also in direction of arrow. If attachment is twisted in the opposite direction, when being connected or disconnected, capsule may become loose. (Fig. 18)
- **Keep away end of your hair, scarf, shawl, etc. from the exhaust vents.** They may be entangled in the motor and cause injury. (Fig. 19)

Cleaning (Suction)

Nozzle (Fig. 20)

Attach the nozzle to clean off tables, desks, furniture, etc. Nozzle slips on easily.

Nozzle + Extension wand (Straight pipe) (Fig. 21)

The extension wand fits in between the nozzle and the cleaner itself. This arrangement is convenient for cleaning a floor while standing erect.

Corner nozzle (Fig. 22)

Fit on the corner nozzle for cleaning corners and crevices of a car or furniture.

Corner nozzle + Extension wand (Straight pipe) (Fig. 23)

In tight quarters where the cleaner itself cannot squeeze in, or in high places hard to reach, use this arrangement.

Cleaning without nozzle (Fig. 24)

You can pick up powder and dust without nozzle.

MAINTENANCE

CAUTION:

- Always be sure that the tool is switched off before attempting to perform inspection or maintenance.

After use (Fig. 25 & 26)

When storing the cleaner, lock the nozzle head, and hang it from a hook available in the market.

CAUTION:

- Putting the cleaner against the wall without a hook may cause the cleaner to fall down and be damaged.

Cleaning

From time to time wipe off the outside (cleaner body) of the cleaner using a cloth dampened in soapy water. Clean out also the suction opening, dust bag/paper pack mounting area and the dust stopper. (Fig. 27)

CAUTION:

- Never use gasoline, benzene, thinner, alcohol or the like. Discoloration, deformation or cracks may result.

Wash the filter in soapy water when it is clogged with dust and the cleaner power becomes small. Dry it out thoroughly before use. An insufficiently dried filter may cause poor suction and shorten the service life of the motor. (Fig. 28)

Things to Check Before Asking for Repairs

Symptom	Area to be investigated	Fixing method
Weak suction power	<ul style="list-style-type: none">• Is capsule full of dust?• Is filter clogged?• Is battery exhausted?	<ul style="list-style-type: none">• Empty dust from capsule.• Dust down or wash filter.• Recharge battery.
Not working	<ul style="list-style-type: none">• Is battery exhausted?	<ul style="list-style-type: none">• Recharge battery.

010051

NOTE:

- Do not attempt to repair cleaner by yourself.

To maintain product SAFETY and RELIABILITY, repairs, any other maintenance or adjustment should be performed by Makita Authorized Service Centers, always using Makita replacement parts.

OPTIONAL ACCESSORIES

CAUTION:

- These accessories or attachments are recommended for use with your Makita tool specified in this manual. The use of any other accessories or attachments might present a risk of injury to persons. Only use accessory or attachment for its stated purpose.

If you need any assistance for more details regarding these accessories, ask your local Makita Service Center.

- Extension wand (Straight pipe)
- Nozzle
- Nozzle for carpet
- Shelf brush
- Corner nozzle
- Round brush
- Flexible hose
- Filter
- Prefilter
- Makita genuine battery and charger

NOTE:

- Some items in the list may be included in the tool package as standard accessories. They may differ from country to country.

AVERTISSEMENT : Cet appareil peut être utilisé par des enfants de 8 ans et plus, ainsi que par des personnes présentant des capacités physiques, sensorielles ou mentales réduites, ou par des personnes dénuées d'expérience et de connaissances s'ils ont pu faire l'objet d'une surveillance ou recevoir des instructions préalables concernant l'utilisation en toute sécurité de l'appareil et s'ils comprennent les risques associés. Ne laissez pas les enfants jouer avec l'appareil. Le nettoyage et l'entretien à la charge de l'utilisateur ne doivent pas être réalisés par des enfants sans surveillance.

Descriptif

1 Batterie	6 Préfiltre	11 Rainure du carter d'aspirateur
2 Bouton	7 Bec de blocage	12 Buse
3 Gâchette	8 Filtre	13 Aspirateur
4 Capsule	9 Poignée	14 Tube prolongateur
5 Entrée d'aspiration	10 Partie saillante	15 Buse pour coin

SPÉCIFICATIONS

Modèle	CL070D		CL100D
Capacité	600 mL		
Utilisation continue	Environ 8 min.	Environ 12 min.	Environ 12 min.
Longueur totale	966 mm		
Poids net	0,81 kg		0,88 kg
Batterie(s)	BL7010	BL0715	BL1013
Tension nominale	C.c. 7,2 V		C.c. 10,8 V

- En raison de notre programme continu de recherche et de développement, les présentes spécifications sont sujettes à modification sans préavis.
- Les spécifications peuvent varier d'un pays à l'autre.
- Poids, avec la batterie, conformément à la procédure EPTA-01/2003

ENE017-1

Usage

L'outil est conçu pour la collecte des poussières sèches.

ENA005-5

IMPORTANT

CONSIGNES DE SÉCURITÉ

Lors de l'utilisation d'un appareil électrique, certaines précautions élémentaires s'imposent en tout temps, dont les suivantes.

LIRE TOUTES LES INSTRUCTIONS AVANT D'UTILISER CET APPAREIL.

AVERTISSEMENT – Pour réduire les risques d'incendie, de choc électrique et de blessure :

1. Ne pas exposer à la pluie. Ranger à l'intérieur.
2. Ne pas laisser utiliser comme jouet. Une surveillance étroite est requise lors de l'utilisation par un enfant ou près d'un enfant.

3. **Utiliser uniquement de la façon décrite dans ce manuel. Utiliser uniquement les accessoires recommandés par le fabricant.**
4. **Ne pas utiliser avec une batterie endommagée. Si l'appareil ne fonctionne pas comme il devrait, s'il a été échappé, endommagé, laissé à l'extérieur ou échappé dans l'eau, le renvoyer à un centre de service après-vente.**
5. **Ne pas manipuler l'appareil avec les mains mouillées.**
6. **N'insérer aucun objet dans les ouvertures. Ne pas utiliser si l'une des ouvertures est bloquée ; toujours enlever les poussières, charpies, cheveux et autres corps étrangers pouvant affecter la circulation de l'air.**
7. **Garder les cheveux, vêtements amples, doigts et toute autre partie du corps à l'écart des ouvertures et des pièces en mouvement.**
8. **Désactiver toutes les commandes avant de retirer la batterie.**
9. **Être tout particulièrement prudent lorsque l'on passe l'aspirateur dans un escalier.**
10. **Ne pas utiliser pour collecter des liquides inflammables ou combustibles tels que l'essence, ou dans des zones où de tels liquides peuvent être présents.**

11. Pour charger la batterie, utiliser uniquement le chargeur fourni par le fabricant.
12. Ne collecter aucune substance enflammée ou qui dégage de la fumée, telles que cigarettes, allumettes ou cendres chaudes.
13. Ne pas utiliser sans avoir posé les filtres.
14. Ne pas charger la batterie à l'extérieur.

Utilisation et entretien de la batterie

15. Ne rechargez la batterie qu'avec le chargeur spécifié par le fabricant. Un chargeur conçu pour un type de batterie donné peut présenter un risque d'incendie s'il est utilisé avec une batterie d'un autre type.
16. Utilisez les outils électriques uniquement avec les batteries spécifiquement désignées. L'utilisation de tout autre type de batterie comporte un risque de blessure ou d'incendie.
17. Lorsque la batterie n'est pas utilisée, gardez-la à l'écart de tout objet métallique (trombone, pièce de monnaie, clé, clou, vis, etc.) pouvant établir une connexion entre les bornes.
18. En cas de mauvaises conditions d'utilisation, du liquide peut être éjecté de la batterie ; évitez tout contact avec ce liquide. En cas de contact accidentel, rincez la partie atteinte à l'eau.

CONSERVEZ CES INSTRUCTIONS.

Cet appareil est conçu pour l'utilisation à l'intérieur.

ENB114-3

CONSIGNES DE SÉCURITÉ ADDITIONNELLES

1. Lire attentivement ce manuel d'instructions et celui du chargeur avant l'utilisation.
2. Ne pas collecter les matériaux suivants :
 - Matériaux chauds tels que cigarettes allumées, étincelles ou poussières de métal générées par le meulage ou la coupe du métal
 - Matériaux inflammables tels que l'essence, les diluants, la benzine, le kérosène et la peinture
 - Matériaux explosifs tels que la nitroglycérine
 - Matériaux inflammables tels que l'aluminium, le zinc, le magnésium, le titane, le phosphore et le celluloid
 - Saletés mouillées, eau, huile, etc.
 - Pièces dures à bords tranchants, telles que copeaux de bois, pièces de métal, pierres, verres, clous, broches et lames de rasoir
 - Poudres telles que ciment en poudre ou encre en poudre
 - Poussière conductrice telle que poussière de métal ou de carbone
 - Particules fines telles que la poussière de ciment

La collecte de tels matériaux peut causer un incendie, une blessure ou des dommages à la propriété.
3. Cesser immédiatement l'utilisation en cas d'anomalie.
4. Si l'aspirateur est échappé ou heurté, vérifier attentivement l'absence de fissures ou de dommages avant l'utilisation.
5. Ne pas approcher des fourneaux ou autres sources de chaleur.

6. Ne pas bloquer les orifices d'entrée ou de sortie d'air.

CONSERVEZ CES INSTRUCTIONS.

ENCO09-4

CONSIGNES DE SÉCURITÉ IMPORTANTES

POUR LA BATTERIE

1. Avant d'utiliser la batterie, lisez toutes les instructions et précautions relatives (1) au chargeur de batterie, (2) à la batterie, et (3) à l'outil utilisant la batterie.
2. Ne démontez pas la batterie.
3. Cessez immédiatement l'utilisation si le temps de fonctionnement devient excessivement court. Il y a risque de surchauffe, de brûlures, voire d'explosion.
4. Si l'électrolyte pénètre dans vos yeux, rincez-les à l'eau claire et consultez immédiatement un médecin. Il y a risque de perte de la vue.
5. Ne court-circuitiez pas la batterie :
 - (1) Ne touchez les bornes avec aucun matériau conducteur.
 - (2) Évitez de ranger la batterie dans un conteneur avec d'autres objets métalliques, par exemple des clous, des pièces de monnaie, etc.
 - (3) N'exposez pas la batterie à l'eau ou à la pluie. Un court-circuit de la batterie pourrait provoquer un fort courant, une surchauffe, parfois des brûlures et même une panne.
6. Ne rangez pas l'outil ou la batterie dans des endroits où la température risque d'atteindre ou de dépasser 50°C.
7. Ne jetez pas la batterie au feu même si elle est sérieusement endommagée ou complètement épuisée. La batterie peut exploser au contact du feu.
8. Prenez garde d'échapper ou de heurter la batterie.
9. N'utilisez pas une batterie abîmée.
10. Les batteries au lithium-ion contenues sont soumises aux exigences de la législation en matière de marchandises dangereuses.

Pour le transport commercial, par exemple par des tierces parties ou des transitaires, les exigences spéciales figurant sur l'emballage et l'étiquetage doivent être respectées.

Pour préparer l'article à expédier, il est nécessaire de consulter un expert en matériaux dangereux. Veuillez également observer les réglementations nationales éventuellement plus détaillées.

Recouvrez de ruban adhésif les contacts exposés et emballez la batterie de telle sorte qu'elle ne puisse pas bouger dans l'emballage.
11. La batterie doit être éliminée conformément aux réglementations locales en vigueur.

CONSERVEZ CES INSTRUCTIONS.

ATTENTION : N'utilisez que des batteries Makita d'origine.

L'utilisation de batteries Makita de marque différente ou de batteries modifiées peut provoquer l'explosion des batteries, ce qui présente un risque d'incendie, de dommages matériels et corporels. Cela annulera également la garantie Makita pour l'outil et le chargeur Makita.

Conseils pour assurer la durée de vie optimale de la batterie

1. **Rechargez la batterie avant qu'elle ne soit complètement déchargée. Arrêtez toujours l'outil et rechargez la batterie quand vous remarquez que la puissance de l'outil diminue.**
2. **Ne rechargez jamais une batterie complètement chargée. La surcharge réduit la durée de service de la batterie.**
3. **Chargez la batterie alors que la température de la pièce se trouve entre 10°C et 40°C. Avant de charger une batterie chaude, laissez-la refroidir.**

DESCRIPTION DU FONCTIONNEMENT

ATTENTION :

- Assurez-vous toujours que l'outil est hors tension et que sa batterie est retirée avant de l'ajuster ou de vérifier son fonctionnement.

Installation ou retrait de la batterie (Fig. 1)

- Mettez toujours l'outil hors tension avant d'insérer ou de retirer la batterie.
- Pour enlever la batterie, sortez-la de l'outil en appuyant sur les boutons placés de chaque côté de la batterie.
- Pour insérer la batterie, l'introduire par sa face avant dans l'ouverture, puis la glisser en place. Toujours l'insérer à fond, jusqu'à ce qu'elle se verrouille avec un léger bruit sec. Autrement elle risquerait de vous blesser ou de blesser quelqu'un d'autre en tombant de l'outil.
- N'appliquez pas une force excessive lors de l'insertion de la batterie. Si la batterie ne glisse pas aisément, c'est qu'elle n'est pas insérée correctement.

Interrupteur (Fig. 2)

ATTENTION :

- Avant d'insérer la batterie dans l'outil, vérifiez toujours que la gâchette fonctionne bien et revient en position d'arrêt lorsque relâchée.

Pour mettre l'outil en marche, appuyez simplement sur la gâchette. Pour l'arrêter, relâchez la gâchette.

ASSEMBLAGE

ATTENTION :

- Assurez-vous toujours que l'outil est hors tension et que sa batterie est retirée avant d'effectuer tout travail dessus.

Mise au rebut des poussières

ATTENTION :

- Vider l'aspirateur avant qu'il ne soit trop plein, autrement sa puissance d'aspiration sera moindre.
- S'assurer qu'il n'y a plus de poussières à l'intérieur de l'aspirateur lui-même. Autrement le filtre risque de se boucher ou le moteur de subir des dommages.

Pour faire tomber dans la capsule la poussière qui adhère au filtre, taper 4 ou 5 fois sur la capsule avec la main. (Fig. 3)

Pointer ensuite l'entrée d'aspiration vers le bas, tourner la capsule dans le sens indiqué par la flèche sur le schéma, puis déconnecter la capsule en tirant lentement et bien droit. (Fig. 4)

NOTE :

- Penser à mettre un sac à ordures sous la capsule, car la poussière risque de s'échapper lors de l'ouverture de la capsule.

Retirer la poussière accumulée dans la capsule et sur le préfiltre. (Fig. 5)

Torsader le préfiltre dans le sens de la flèche pour desserrer le bec de blocage de l'aspirateur, puis retirer le préfiltre en tirant. (Fig. 6)

Enlever les fines poussières du préfiltre. Retirer ensuite le filtre, puis taper légèrement dessus pour dégager la poussière. (Fig. 7)

Remontage

Poser le filtre en poussant jusqu'à ce qu'il soit parfaitement en position sur l'aspirateur. (Fig. 8)

NOTE :

- S'assurer que le filtre est posé bien droit et inséré à fond. Si le filtre est mal posé, tel qu'illustré sur le schéma, la poussière pénétrera dans le carter du moteur et causera une panne du moteur. (Fig. 9)

Connecter le préfiltre. Penser alors à tourner le préfiltre de sorte que le bec de blocage soit parfaitement verrouillé dans l'aspirateur. (Fig. 10 et 11)

Connecter la capsule. Aligner la partie saillante de la capsule sur celle de la poignée, puis tourner fermement la capsule dans le sens de la flèche jusqu'à ce qu'elle s'immobilise. (Fig. 12 et 13)

NOTE :

- Retirer toujours la poussière à l'avance, car la puissance d'aspiration diminuera s'il y a trop de poussière dans l'aspirateur.
- Avant d'utiliser l'aspirateur, ne jamais oublier de vérifier que le filtre et le préfiltre sont bien posés. S'ils ne sont pas bien posés, la poussière pénétrera dans le carter du moteur et causera une panne du moteur. Dans les cas suivants, le filtre et le préfiltre ne sont pas correctement posés. Les reposer correctement pour régler le problème.

Exemples de problème

Exemple 1 : seul le préfiltre a été posé (sans le filtre) (Fig. 14)

Exemple 2 : seul le filtre a été posé (sans le préfiltre) (Fig. 15)

Exemple 3 : le filtre est posé mais n'est pas inséré à fond (Fig. 16)

Exemple 4 : le bec de blocage du préfiltre n'est pas bien verrouillé dans la rainure du carter de l'aspirateur (Fig. 17)

OPERATION

ATTENTION :

- Pour connecter des accessoires telle qu'une buse, les insérer en tournant dans le sens de la flèche pour assurer une connexion sûre pendant l'utilisation. Pour déconnecter l'accessoire, tirer en tournant aussi dans le sens de la flèche.
Si l'accessoire est tourné dans le sens contraire pour le connecter ou le déconnecter, la capsule risquera de se desserrer. (Fig. 18)
- **Tenez vos cheveux, écharpe, châle ou autre à l'écart des orifices de sortie d'air.** Ils pourraient s'enchevêtrer dans le moteur et vous blesser. (Fig. 19)

Nettoyage (aspiration)

Buse (Fig. 20)

Fixer la buse pour nettoyer les tables, bureaux, meubles, etc. La buse se glisse facilement en place.

Buse + tube prolongateur (tuyau rectiligne) (Fig. 21)

Le tube prolongateur s'installe entre la buse et l'aspirateur. Il permet de passer l'aspirateur sur le plancher tout en restant debout.

Buse pour coin (Fig. 22)

Installer la buse pour coin lorsque l'on passe l'aspirateur dans les coins ou dans les interstices d'un véhicule ou d'un meuble.

Buse pour coin + tube prolongateur (tuyau rectiligne) (Fig. 23)

Utiliser cette combinaison pour passer l'aspirateur dans les endroits étroits ou dans les endroits élevés difficiles à atteindre.

Nettoyage sans buse (Fig. 24)

La buse n'est pas nécessaire pour collecter de la poudre ou des poussières.

ENTRETIEN

ATTENTION :

- Toujours s'assurer que l'outil est éteint avant d'effectuer son inspection ou son entretien.

Après l'utilisation (Fig. 25 et 26)

Lorsque vous rangez l'aspirateur, verrouillez la tête de la buse et accrochez l'appareil à un crochet disponible dans le commerce.

ATTENTION :

- Si vous placez l'aspirateur contre le mur sans l'accrocher, il risque de tomber et de s'abîmer.

Nettoyage

Essuyer de temps à autre la surface extérieure (le boîtier) de l'aspirateur à l'aide d'un chiffon humecté dans de l'eau savonneuse. Nettoyer également les ouvertures d'aspiration, les zones de montage du sac à poussières ou de l'ensemble papier et l'écran antipoussières. (Fig. 27)

ATTENTION :

- N'utilisez jamais d'essence, benzine, diluant, alcool ou autre produit similaire. Cela risquerait de provoquer la décoloration, la déformation ou la fissuration de l'outil.

Lorsque le filtre est bouché et que la puissance de l'aspirateur s'en trouve affaiblie, laver le sac à poussières dans de l'eau savonneuse. Le faire sécher parfaitement avant l'utilisation. Si le filtre n'est pas assez sec la capacité d'aspiration sera considérablement affectée et cela réduira la durée de service du moteur. (Fig. 28)

Points à vérifier avant de faire une demande de réparation

Symptôme	Point à vérifier	Méthode de réparation
Faible puissance d'aspiration	<ul style="list-style-type: none">• La capsule est-elle pleine de poussière ?• Le filtre est-il bloqué ?• La batterie est-elle épuisée ?	<ul style="list-style-type: none">• Enlever la poussière de la capsule.• Faire tomber la poussière ou laver le filtre.• Recharger la batterie.
Ne fonctionne pas	<ul style="list-style-type: none">• La batterie est-elle épuisée ?	<ul style="list-style-type: none">• Recharger la batterie.

010051

NOTE :

- Ne pas essayer de réparer l'aspirateur soi-même.

Pour maintenir la SÉCURITÉ et la FIABILITÉ du produit, les réparations, autres travaux d'entretien et réglages doivent être effectués dans un centre de service Makita agréé, exclusivement avec des pièces de rechange Makita.

ACCESSOIRES EN OPTION

ATTENTION :

- Ces accessoires ou pièces sont recommandés pour l'utilisation avec l'outil Makita spécifié dans ce manuel. L'utilisation de tout autre accessoire ou pièce peut comporter un risque de blessure. Utiliser uniquement l'accessoire ou la pièce pour le travail pour lequel il a été conçu.

Pour plus d'informations concernant ces accessoires, s'informer auprès du centre de service Makita le plus près.

- Tube prolongateur (tuyau rectiligne)
- Buse
- Buse pour tapis
- Brosse pour étagères
- Buse pour coin
- Brosse ronde
- Boyau flexible
- Filtre
- Préfiltre
- Batterie et chargeur Makita authentiques

NOTE :

- Il se peut que certains éléments de la liste soient compris dans l'emballage de l'outil en tant qu'accessoires standard. Ils peuvent varier d'un pays à l'autre.

WARNUNG: Dieses Gerät kann von Kindern ab 8 Jahren und Personen mit verminderten körperlichen, sensorischen oder geistigen Fähigkeiten bzw. Mangel an Erfahrung und Kenntnissen benutzt werden, vorausgesetzt, dass sie beaufsichtigt werden oder Anweisungen zum sicheren Gebrauch des Gerätes erhalten haben und die damit verbundenen Gefahren verstehen. Kinder dürfen nicht mit dem Gerät spielen. Reinigung und Benutzerwartung dürfen nicht von Kindern ohne Beaufsichtigung durchgeführt werden.

Übersicht

1 Akku	6 Vorfilter	11 Staubsaugergehäusenut
2 Knopf	7 Sicherungslippe	12 Bürste
3 Ein-Aus-Schalter	8 Filter	13 Staubsauger
4 Kapsel	9 Griff	14 Verlängerungsrohr
5 Saugstutzen	10 Vorsprung	15 Spitzdüse

TECHNISCHE DATEN

Modell	CL070D		CL100D
Kapazität	600 mL		
Dauerbetrieb	ca. 8 Min.	ca. 12 Min.	ca. 12 Min.
Gesamtlänge	966 mm		
Nettogewicht	0,81 kg		0,88 kg
Akku(s)	BL7010	BL0715	BL1013
Nennspannung	7,2 V Gleichstrom		10,8 V Gleichstrom

- Aufgrund unseres Dauerprogramms der Forschung und Entwicklung unterliegen die hier angegebenen technischen Daten Änderung ohne Vorankündigung.
- Die technischen Daten können von Land zu Land unterschiedlich sein.
- Gewicht mit Akku nach EPTA-Verfahren 01/2003

ENE017-1

Vorgesehene Verwendung

Die Maschine ist für das Absaugen von Trockenstaub vorgesehen.

ENA005-5

WICHTIG

SICHERHEITSVORSCHRIFTEN

Bei der Verwendung eines Elektrogerätes sind grundsätzliche Vorsichtsmaßnahmen, einschließlich der folgenden, stets zu beachten:

LESEN SIE ALLE ANWEISUNGEN VOR DER BENUTZUNG DIESES GERÄTES.

WARNUNG – Zur Reduzierung von Brand-, Stromschlag- oder Verletzungsgefahr:

1. Das Gerät keinem Regen aussetzen. In Innenräumen aufbewahren.

2. Das Gerät darf nicht als Spielzeug benutzt werden. Wenn das Gerät von Kindern oder in deren Nähe benutzt wird, ist besondere Vorsicht geboten.
3. Nur gemäß der Beschreibung in dieser Anleitung benutzen. Nur vom Hersteller empfohlene Zusatzvorrichtungen verwenden.
4. Nicht mit beschädigtem Akku benutzen. Falls das Gerät nicht ordnungsgemäß funktioniert, fallen gelassen, beschädigt, im Freien liegen gelassen wurde oder ins Wasser gefallen ist, bringen Sie es zu einer Kundendienststelle.
5. Fassen Sie das Gerät nicht mit nassen Händen an.
6. Stecken Sie keine Gegenstände in die Öffnungen. Benutzen Sie das Gerät nicht mit einer blockierten Öffnung; halten Sie es frei von Staub, Fusseln, Haaren und Fremdkörpern, die den Luftstrom behindern können.
7. Halten Sie Haare, lose Kleidung, Finger und alle Körperteile von den Öffnungen und beweglichen Teilen fern.
8. Schalten Sie sämtliche Bedienelemente aus, bevor Sie den Akku abnehmen.
9. Lassen Sie bei der Reinigung von Treppen besondere Vorsicht walten.

10. Verwenden Sie das Gerät nicht zum Aufsaugen von brennbaren oder feuergefährlichen Flüssigkeiten, wie z. B. Benzin, und benutzen Sie es auch nicht in der Nähe solcher Flüssigkeiten.
11. Verwenden Sie nur das vom Hersteller gelieferte Ladegerät zum Aufladen.
12. Saugen Sie keine brennenden oder rauchenden Gegenstände auf, wie z. B. Zigaretten, Streichhölzer oder heiße Asche.
13. Benutzen Sie das Gerät nicht ohne Filter.
14. Laden Sie den Akku nicht im Freien.
4. Falls Sie den Staubsauger fallen lassen oder anstoßen, überprüfen Sie ihn vor der Benutzung sorgfältig auf Risse oder Beschädigung.
5. Bringen Sie das Gerät nicht in die Nähe von Öfen oder anderen Wärmequellen.
6. Blockieren Sie nicht die Einlassöffnung oder die Belüftungsöffnungen.

BEWAHREN SIE DIESE HINWEISE SORGFÄLTIG AUF.

ENC009-4

Gebrauch und Pflege von Akkuwerkzeugen

15. Laden Sie den Akku nur mit dem vom Hersteller vorgeschriebenen Ladegerät. Ein Ladegerät, das für einen Akkutyp geeignet ist, kann bei Verwendung mit einem anderen Akku eine Brandgefahr darstellen.
16. Benutzen Sie Elektrowerkzeuge nur mit den ausdrücklich vorgeschriebenen Akkus. Bei Verwendung irgendwelcher anderer Akkus besteht Verletzungs- und Brandgefahr.
17. Bewahren Sie den Akku bei Nichtgebrauch nicht zusammen mit Metallgegenständen, wie Büroklammern, Münzen, Schlüsseln, Nägeln, Schrauben, und anderen kleinen Metallteilen auf, welche die Kontakte kurzschließen können.
18. Bei Missbrauch kann Flüssigkeit aus dem Akku austreten. Vermeiden Sie Kontakt mit dieser Flüssigkeit. Falls Sie versehentlich mit der Flüssigkeit in Berührung kommen, spülen Sie die betroffenen Stellen mit Wasser ab.

BEWAHREN SIE DIESE HINWEISE SORGFÄLTIG AUF.

Dieses Gerät ist für Haushaltsgebrauch vorgesehen.

ENB114-3

ZUSÄTZLICHE SICHERHEITSGELTEN

1. Lesen Sie diese Gebrauchsanleitung und die Gebrauchsanleitung des Ladegerätes vor der Benutzung durch.
2. Unterlassen Sie das Aufsaugen der folgenden Materialien:
 - Heiße Materialien, wie z. B. brennende Zigaretten oder durch Schleifen/Schneiden von Metall erzeugte Funken/Metallstaub
 - Brennbare Materialien, wie z. B. Benzin, Verdünner, Benzol, Petroleum oder Lack
 - Explosive Materialien, wie Nitroglycerin
 - Zündfähige Materialien, wie z. B. Aluminium, Zink, Magnesium, Titan, Phosphor oder Celluloid
 - Nassen Schmutz, Wasser, Öl o. Ä.
 - Harte Gegenstände mit scharfen Kanten, wie z. B. Holzspäne, Metalle, Steine, Glas, Nägel, Nadeln oder Rasierklingen
 - Klumpen bildendes Pulver, wie z. B. Zement oder Toner
 - Leitfähiger Staub, wie z. B. Metall- oder Kohlenstaub
 - Feine Partikel, wie z. B. Betonstaub
 Solche Handlungen können einen Brand, Verletzungen und/oder Sachschäden verursachen.
3. Brechen Sie den Betrieb sofort ab, wenn Sie irgendetwas Ungewöhnliches bemerken.

WICHTIGE SICHERHEITSVORSCHRIFTEN

FÜR AKKU

1. Lesen Sie vor der Benutzung des Akkus alle Anweisungen und Warnhinweise, die an (1) Ladegerät, (2) Akku und (3) Akkuwerkzeug angebracht sind.
2. Unterlassen Sie ein Zerlegen des Akkus.
3. Falls die Betriebszeit beträchtlich kürzer geworden ist, stellen Sie den Betrieb sofort ein. Anderenfalls besteht die Gefahr von Überhitzung, möglichen Verbrennungen und sogar einer Explosion.
4. Falls Elektrolyt in Ihre Augen gelangt, waschen Sie sie mit sauberem Wasser aus, und begeben Sie sich unverzüglich in ärztliche Behandlung. Anderenfalls können Sie Ihre Sehkraft verlieren.
5. Der Akku darf nicht kurzgeschlossen werden:
 - (1) Die Kontakte dürfen nicht mit leitfähigem Material berührt werden.
 - (2) Lagern Sie den Akku nicht in einem Behälter zusammen mit anderen Metallgegenständen, wie z.B. Nägel, Münzen usw.
 - (3) Setzen Sie den Akku weder Wasser noch Regen aus.
 Ein Kurzschluss des Akkus verursacht starken Stromfluss, der Überhitzung, Verbrennungen und einen Defekt zur Folge haben kann.
6. Lagern Sie Maschine und Akku nicht an Orten, an denen die Temperatur 50°C erreichen oder überschreiten kann.
7. Versuchen Sie niemals, den Akku zu verbrennen, selbst wenn er stark beschädigt oder vollkommen verbraucht ist. Der Akku kann im Feuer explodieren.
8. Achten Sie darauf, dass der Akku nicht fallen gelassen oder Stößen ausgesetzt wird.
9. Benutzen Sie keine beschädigten Akkus.
10. Die enthaltenen Lithium-Ionen-Akkus unterliegen den Anforderungen der Gefahrgut-Gesetzgebung.

Für kommerzielle Transporte, z. B. durch Dritte oder Spediteure, müssen besondere Anforderungen zu Verpackung und Etikettierung beachtet werden. Zur Vorbereitung des zu transportierenden Artikels ist eine Beratung durch einen Experten für Gefahrgut erforderlich. Bitte beachten Sie möglicherweise ausführlichere nationale Vorschriften. Überkleben oder verdecken Sie offene Kontakte, und verpacken Sie den Akku so, dass er sich in der Verpackung nicht umher bewegen kann.

11. Befolgen Sie die örtlichen Bestimmungen bezüglich der Entsorgung von Akkus.

BEWAHREN SIE DIESE HINWEISE SORGFÄLTIG AUF.

VORSICHT: Verwenden Sie nur Original-Makita-Akkus.

Die Verwendung von Nicht-Original-Makita-Akkus oder von Akkus, die abgeändert worden sind, kann zum Bersten des Akkus und daraus resultierenden Bränden, Personenschäden und Beschädigung führen. Außerdem wird dadurch die Makita-Garantie für das Makita-Werkzeug und -Ladegerät ungültig.

Hinweise zur Aufrechterhaltung der maximalen Akku-Nutzungsdauer

1. **Laden Sie den Akku, bevor er vollkommen erschöpft ist. Schalten Sie die Maschine stets aus, und laden Sie den Akku, wenn Sie ein Nachlassen der Maschinenleistung feststellen.**
2. **Unterlassen Sie das erneute Laden eines voll aufgeladenen Akkus. Überladen führt zu einer Verkürzung der Nutzungsdauer des Akkus.**
3. **Laden Sie den Akku bei Raumtemperatur zwischen 10°C – 40°C. Lassen Sie einen heißen Akku abkühlen, bevor Sie ihn laden.**

FUNKTIONSBESCHREIBUNG

VORSICHT:

- Vergewissern Sie sich vor der Durchführung von Einstellungen oder Funktionsprüfungen der Maschine stets, dass die Maschine ausgeschaltet und der Akku abgenommen ist.

Anbringen und Abnehmen des Akkus (Abb. 1)

- Schalten Sie die Maschine stets aus, bevor Sie den Akku anbringen oder abnehmen.
- Zum Abnehmen des Akkus ziehen Sie ihn aus der Maschine heraus, während Sie die Entriegelschrauben auf beiden Seiten drücken.
- Halten Sie den Akku zum Einsetzen so, dass die Form seiner Vorderseite in die Akku-Einschuböffnung passt, und schieben Sie ihn dann ein. Schieben Sie ihn stets vollständig ein, bis er mit einem hörbaren Klicken einrastet. Anderenfalls kann er aus dem Werkzeug herausfallen und Sie oder umstehende Personen verletzen.
- Wenden Sie beim Einsetzen des Akkus keine Gewalt an. Falls der Akku nicht reibungslos hineingleitet, ist er nicht richtig ausgerichtet.

Schalterfunktion (Abb. 2)

VORSICHT:

- Vergewissern Sie sich vor dem Einsetzen des Akkus in die Maschine stets, dass der Ein-Aus-Schalter ordnungsgemäß funktioniert und beim Loslassen in die AUS-Stellung zurückkehrt.

Zum Einschalten der Maschine einfach den Ein-Aus-Schalter drücken. Zum Ausschalten lassen Sie den Ein-Aus-Schalter los.

MONTAGE

VORSICHT:

- Vergewissern Sie sich vor der Ausführung von Arbeiten an der Maschine stets, dass die Maschine ausgeschaltet und der Akku abgenommen ist.

Staubentleerung

VORSICHT:

- Leeren Sie den Staubsauger, bevor er voll wird oder die Saugleistung nachlässt.
- Entleeren Sie auch unbedingt den Staub im Staubsauger selbst. Anderenfalls kann sich der Filter zusetzen, oder der Motor kann beschädigt werden.

Um den am Filter in der Kapsel haftenden Staub abzuschütteln, klopfen Sie 4- bis 5-mal mit Ihrer Hand auf die Kapsel. **(Abb. 3)**

Nun den Saugstutzen nach unten richten, dann die Kapsel in Richtung des Pfeils in der Abbildung drehen und langsam und gerade abziehen. **(Abb. 4)**

HINWEIS:

- Halten Sie einen Müllsack unter die Kapsel, da beim Öffnen der Kapsel Staub herausfallen kann.

Entfernen Sie den angesammelten Staub aus dem Kapsel-Innenraum und vom Vorfilter. **(Abb. 5)**

Drehen Sie den Vorfilter in Pfeilrichtung, um die Sicherungsslippe von der Staubsaugereinheit zu lösen, und ziehen Sie dann den Vorfilter ab. **(Abb. 6)**

Feinstaub aus dem Vorfilter entleeren. Dann den Filter entfernen und leicht ausklopfen, um Staub zu lösen. **(Abb. 7)**

Zusammenbau

Bringen Sie den Filter an der Staubsaugereinheit an, bis er einwandfrei sitzt. **(Abb. 8)**

HINWEIS:

- Achten Sie darauf, dass der Filter gerade aufgesetzt wird, ohne dass er zurückgezogen wird. Falls der Filter falsch aufgesetzt wird, wie in der Abbildung gezeigt, gelangt Staub in das Motorgehäuse und kann einen Motorausfall verursachen. **(Abb. 9)**

Den Vorfilter anschließen. Drehen Sie dabei den Vorfilter so, dass die Sicherungsslippe fest in der Staubsaugereinheit verankert ist. **(Abb. 10 und 11)**

Die Kapsel anschließen. Richten Sie den Vorsprung an der Kapsel auf den Vorsprung am Griff aus, und drehen Sie dann die Kapsel fest in Pfeilrichtung, bis sie gesichert ist. **(Abb. 12 und 13)**

HINWEIS:

- Entfernen Sie den Staub stets rechtzeitig, da die Saugleistung verringert wird, wenn sich zu viel Staub im Staubsauger befindet.
- Vergewissern Sie sich vor der Benutzung des Staubsaugers stets, dass Filter und Vorfilter korrekt eingesetzt sind. Falls sie nicht korrekt eingesetzt sind, gelangt Staub in das Motorgehäuse und kann einen Motorausfall verursachen.
Falls die in den folgenden Beispielen genannten Fälle eintreten, sind Filter und Vorfilter nicht korrekt eingesetzt. Setzen Sie die Filter korrekt ein, um das Problem zu beheben.

Problemebeispiele

Beispiel 1: Nur der Vorfilter ist eingesetzt worden (kein Filter) **(Abb. 14)**

Beispiel 2: Nur der Filter ist eingesetzt worden (kein Vorfilter) **(Abb. 15)**

Beispiel 3: Der Filter ist im zurückgezogenen Zustand eingesetzt worden **(Abb. 16)**

Beispiel 4: Die Sicherungsslippe des Vorfilters sitzt nicht fest in der Staubsaugereinheit **(Abb. 17)**

BETRIEB

VORSICHT:

- Um Vorrichtungen, wie z. B. eine Bürste, anzuschließen, führen Sie die Vorrichtung unter gleichzeitigem Drehen in Pfeilrichtung ein, um einwandfreie Verbindung während des Gebrauchs zu gewährleisten. Um die Vorrichtung abzutrennen, ziehen Sie sie unter gleichzeitigem Drehen in Pfeilrichtung ab. Wird die Vorrichtung beim Anschließen oder Abtrennen in entgegengesetzter Richtung gedreht, kann sich die Kapsel lösen. **(Abb. 18)**
- **Halten Sie die Enden Ihrer Haare, Ihres Halstuchs, Schals usw. von den Auslassöffnungen fern.** Sie können sich im Motor verfangen und eine Verletzung verursachen. **(Abb. 19)**

Reinigen (Saugen)

Bürste (Abb. 20)

Bringen Sie die Bürste an, um Tische, Pulte, Möbelstücke usw. abzusaugen. Die Bürste lässt sich leicht aufstecken.

Bürste + Verlängerungsrohr (Gerades Rohr) (Abb. 21)

Das Verlängerungsrohr wird zwischen Bürste und Staubsauger angebracht. Diese Anordnung ist praktisch, um den Fußboden im Stehen zu saugen.

Spitzdüse (Abb. 22)

Bringen Sie die Spitzdüse an, um die Ecken und Ritzen eines Autos oder Möbelstücks zu reinigen.

Spitzdüse + Verlängerungsrohr (Gerades Rohr) (Abb. 23)

Benutzen Sie diese Anordnung in engen Zwischenräumen, in die der Staubsauger selbst nicht hineinpasst, oder an schwer erreichbaren hohen Orten.

Prüfpunkte vor einer Reparaturanforderung

Symptom	Prüfbereich	Abhilfemaßnahmen
Schwache Saugkraft	<ul style="list-style-type: none">• Ist die Kapsel mit Staub gefüllt?• Ist der Filter verstopft?• Ist der Akku erschöpft?	<ul style="list-style-type: none">• Staub aus der Kapsel entleeren.• Den Filter abstauben oder waschen.• Den Akku aufladen.
Gerät funktioniert nicht	<ul style="list-style-type: none">• Ist der Akku erschöpft?	<ul style="list-style-type: none">• Den Akku aufladen.

010051

HINWEIS:

- Versuchen Sie nicht, den Staubsauger selbst zu reparieren.

Um die SICHERHEIT und ZUVERLÄSSIGKEIT dieses Produkts zu gewährleisten, sollten Reparaturen und andere Wartungs- oder Einstellarbeiten nur von Makita-Kundendienstzentren unter ausschließlicher Verwendung von Makita-Originalersatzteilen ausgeführt werden.

SONDERZUBEHÖR

VORSICHT:

- Die folgenden Zubehörteile oder Vorrichtungen werden für den Einsatz mit dem in dieser Anleitung beschriebenen Makita-Gerät empfohlen. Die Verwendung anderer Zubehörteile oder Vorrichtungen kann eine Verletzungsgefahr darstellen. Verwenden Sie Zubehörteile oder Vorrichtungen nur für ihren vorgesehenen Zweck.

Staubsaugen ohne Düse (Abb. 24)

Sie können Pulver und Staub ohne Düse aufsaugen.

WARTUNG

VORSICHT:

- Denken Sie vor der Durchführung von Überprüfungen oder Wartungsarbeiten stets daran, der Maschine auszuschalten.

Nach der Benutzung (Abb. 25 und 26)

Wenn Sie den Staubsauger aufbewahren, verriegeln Sie den Düsenkopf, und hängen Sie ihn an einen auf dem Markt erhältlichen Haken.

VORSICHT:

- Wird der Staubsauger ohne einen Haken gegen eine Wand gelehnt, kann er umkippen und beschädigt werden.

Reinigen

Wischen Sie die Außenseite (Gehäuse) des Staubsaugers von Zeit zu Zeit mit einem mit Seifenwasser getränkten Tuch ab. Reinigen Sie auch die Saugöffnung, den Staubsack/Papierbeutel-Montagebereich und den Staubsackanschlag. **(Abb. 27)**

VORSICHT:

- Verwenden Sie auf keinen Fall Benzin, Benzol, Verdünnern, Alkohol oder dergleichen. Solche Mittel können Verfärbung, Verformung oder Rissbildung verursachen.

Waschen Sie den Filter in Seifenwasser aus, wenn er mit Staub zugesetzt ist und die Saugleistung nachlässt. Lassen Sie ihn vor der Benutzung gründlich trocknen. Ein noch feuchter Filter kann schlechte Saugleistung verursachen und die Lebensdauer des Motors verkürzen. **(Abb. 28)**

Wenn Sie weitere Einzelheiten bezüglich dieser Zubehörteile benötigen, wenden Sie sich bitte an Ihre Makita-Kundendienststelle.

- Verlängerungsrohr (Gerades Rohr)
- Bürste
- Düse für Teppich
- Regalbürste
- Spitzdüse
- Rundbürste
- Flexibler Schlauch
- Filter
- Vorfilter
- Original-Makita-Akku und -Ladegerät

HINWEIS:

- Manche Teile in der Liste können als Standardzubehör im Werkzeugsatz enthalten sein. Sie können von Land zu Land unterschiedlich sein.

ATTENZIONE: Questo utensile può essere usato dai bambini di 8 anni e oltre, e dalle persone con capacità fisiche, sensoriali o mentali ridotte, o senza esperienza o conoscenza, se sono sotto la supervisione o hanno ricevuto le istruzioni per l'utilizzo sicuro dell'utensile e capiscono i rischi che comporta. I bambini non devono giocare con l'utensile. La pulizia e la manutenzione non devono essere fatte dai bambini senza supervisione.

Visione generale

1 Batteria	7 Labbro di fissaggio	12 Bocchetta
2 Bottone	8 Filtro	13 Aspiratore
3 Grilletto dell'interruttore	9 Manico	14 Prolunga
4 Capsula	10 Sporgenza	15 Accessorio per fessure
5 Ingresso aspirazione	11 Scanalatura alloggiamento aspiratore	
6 Prefiltro		

DATI TECNICI

Modello	CL070D		CL100D
Capacità	600 mL		
Utilizzo continuo	8 min. circa	12 min. circa	12 min. circa
Lunghezza totale	966 mm		
Peso netto	0,81 kg		0,88 kg
Cartuccia batteria	BL7010	BL0715	BL1013
Tensione nominale	C.c. 7,2 V		C.c. 10,8 V

- Per il nostro continuo programma di ricerca e sviluppo, queste specifiche sono soggette a modifiche senza avviso.
- Le specifiche potrebbero essere diverse da Paese a Paese.
- Peso, con batteria, secondo la Procedura EPTA 01/2003

ENE017-1

Utilizzo prefissato

Questo utensile è progettato per la raccolta della polvere.

ENA005-5

IMPORTANTE

ISTRUZIONI PER LA SICUREZZA

Utilizzando un elettrodomestico bisogna sempre seguire le precauzioni di base, comprese quelle seguenti:

LEGGERE TUTTE LE ISTRUZIONI PRIMA DI USARE QUESTO ELETTRODOMESTICO.

ATTENZIONE – Per ridurre il rischio d'incendio, scosse elettriche o incidenti:

1. Non esporre questo elettrodomestico alla pioggia. Conservarlo in interni.

2. **Non permettere che venga usato come giocattolo. È necessaria una stretta sorveglianza se viene usato da o vicino a bambini.**
3. **Usarlo soltanto come descritto in questo manuale. Usare soltanto gli accessori consigliati dal produttore.**
4. **Non usarlo con una batteria danneggiata. Se questo elettrodomestico non funziona come dovrebbe, se è caduto, è danneggiato, è rimasto all'aperto o è caduto in acqua, portarlo a un centro di assistenza ai clienti.**
5. **Non maneggiare questo elettrodomestico con le mani bagnate.**
6. **Non inserire alcun oggetto nelle aperture. Non usarlo con una qualsiasi apertura bloccata. Mantenerlo esente da polvere, filacce, capelli e tutto ciò che potrebbe ridurre il flusso dell'aria.**
7. **Tenere i capelli, gli abiti ampi e tutte le parti del corpo lontani dalle aperture e dalle parti mobili.**
8. **Disattivare tutti i comandi prima di rimuovere la batteria.**
9. **Fare particolarmente attenzione durante la pulizia delle scale.**
10. **Questo elettrodomestico non deve essere usato per aspirare sostanze infiammabili o combustibili, come la benzina, o dove esse potrebbero essere presenti.**
11. **Per la ricarica, usare soltanto il caricatore fornito dal produttore.**

12. Questo elettrodomestico non deve essere usato per aspirare oggetti che bruciano o fumanti, come le sigarette, i fiammiferi o le ceneri calde.
13. Non usarlo senza i filtri in posizione.
14. Non caricare la batteria all'aperto.

Utensile a batteria: usare con cura

15. Ricaricare soltanto con il caricatore specificato dal produttore. Un caricatore adatto per un tipo di pacco batteria potrebbe creare un rischio d'incendio se usato con un pacco batteria diverso.
16. Usare gli utensili elettrici soltanto con i pacchi batteria specificati. L'impiego di qualsiasi altro pacco batteria potrebbe creare un rischio di incidenti e di incendio.
17. Se non si usa il pacco batteria, tenerlo lontano da altri oggetti metallici, come graffette, monete, chiavi, chiodi, viti o altri piccoli oggetti metallici che potrebbero creare una connessione da un terminale a un altro.
18. In caso di maltrattamento, la batteria potrebbe espellere del liquido. Evitare ogni contatto. In caso di un accidentale contatto, sciacquare con acqua.

CONSERVARE QUESTE ISTRUZIONI.

Questo elettrodomestico è progettato per l'utilizzo domestico.

ENB114-3

REGOLE ADDIZIONALI PER LA SICUREZZA

1. Leggere attentamente questo manuale di istruzioni e il manuale di istruzioni del caricatore prima dell'uso.
2. Non raccogliere i materiali seguenti:
 - Materiali caldi, come le sigarette accese e/o scintille/polvere sprigionate dalla smerigliatura/taglio del metallo
 - Materiali infiammabili, come benzina, solventi, benzene, cherosene o vernici
 - Materiali esplosivi come nitroglicerina
 - Materiali infiammabili, come alluminio, zinco, magnesio, titanio, fosforo o celluloido
 - Sporco bagnato, acqua, olio e simili
 - Pezzi duri con estremità affilate, come schegge di legno, metallo, pietra, vetro, chiodi, puntine o rasoi
 - Polveri da ostruire, come cemento o colorante
 - Polvere conduttiva, come quella di metallo o carbone
 - Particelle fini, come la polvere del cemento
 Tale azionamento potrebbe causare un incendio, lesioni e/o danni materiali.
3. Smettere immediatamente l'uso se si nota qualcosa di anormale.
4. Se si fa cadere o si sbatte l'aspiratore, controllare attentamente se ci sono crepe o danni prima di usarlo.
5. Non avvicinarlo a stufe o altre sorgenti di calore.
6. Non bloccare il foro di aspirazione o i fori di ventilazione.

CONSERVARE QUESTE ISTRUZIONI.

ISTRUZIONI IMPORTANTI DI SICUREZZA

PER LA CARTUCCIA DELLA BATTERIA

1. Prima di usare la cartuccia della batteria, leggere tutte le istruzioni e le avvertenze sul (1) carica-batteria, sulla (2) batteria e sul (3) prodotto che utilizza la batteria.
2. Non smontare la cartuccia della batteria.
3. Se il tempo di utilizzo è diventato molto corto, smettere immediatamente di usare l'utensile. Può risultare un rischio di surriscaldamento, possibili ustioni e addirittura un'esplosione.
4. Se l'elettrolita va negli occhi, risciacquarli con acqua pulita e rivolgersi immediatamente ad un medico. Può risultare la perdita della vista.
5. Non cortocircuitare la cartuccia della batteria:
 - (1) Non toccare i terminali con qualche metallo conduttivo.
 - (2) Evitare di conservare la cartuccia della batteria in un contenitore con altri oggetti metallici come i chiodi, le monete, ecc.
 - (3) Non esporre la cartuccia della batteria all'acqua o alla pioggia.
 Un cortocircuito della batteria può causare un grande flusso di corrente, il surriscaldamento, possibili ustioni e addirittura un guasto.
6. Non conservare l'utensile e la cartuccia della batteria in luoghi in cui la temperatura può raggiungere o superare i 50°C.
7. Non incenerire la cartuccia della batteria anche se è gravemente danneggiata o è completamente esaurita. La cartuccia della batteria può esplodere e provocare un incendio.
8. Fare attenzione a non lasciar cadere o a colpire la batteria.
9. Non usare una batteria danneggiata.
10. Le batterie a ioni di litio contenute sono soggette ai requisiti della legislazione sulle merci pericolose (Dangerous Goods Legislation). Per i trasporti commerciali, ad es. da parte di terzi e spedizionieri, è necessario osservare i requisiti speciali sull'imballaggio e sulle etichette. Per la preparazione dell'articolo da spedire è richiesta la consulenza di un esperto sui materiali pericolosi. Osservare anche le normative nazionali, che potrebbero essere più dettagliate. Coprire con del nastro adesivo o con una maschera i contatti aperti e imballare la batteria in modo che non possa spostarsi liberamente all'interno dell'imballaggio.
11. Seguire le norme locali relative al modo di disfarsi della batteria.

CONSERVARE QUESTE ISTRUZIONI.

ATTENZIONE: Utilizzare esclusivamente batterie originali Makita.

L'utilizzo di batterie non originali Makita o di batterie che siano state alterate potrebbe risultare nello scoppio della batteria e causare incendi, lesioni personali e danni alle cose. Inoltre, tale utilizzo invalida la garanzia Makita per l'utensile e il caricabatterie Makita.

Suggerimenti per mantenere la durata massima della batteria

1. **Caricare la cartuccia della batteria prima che si scarichi completamente. Smettere sempre di usare l'utensile e caricare la cartuccia della batteria quando si nota che la potenza dell'utensile è diminuita.**
2. **Non ricaricare mai una cartuccia della batteria completamente carica. La sovraccarica riduce la durata della batteria.**
3. **Caricare la cartuccia della batteria con la temperatura ambiente da 10°C a 40°C. Lasciar raffreddare una cartuccia della batteria calda prima di caricarla.**

DESCRIZIONE FUNZIONALE

ATTENZIONE:

- Accertarsi sempre che l'utensile sia spento e che la batteria sia stata rimossa prima di regolare o di controllare il funzionamento dell'utensile.

Installazione o rimozione della batteria (Fig. 1)

- Spegnere sempre l'utensile prima di inserire o di rimuovere la batteria.
- Per rimuovere la cartuccia batteria, toglierla dall'utensile schiacciando i bottoni su entrambi i lati della batteria.
- Per inserire la batteria, tenerla in modo che la sua forma frontale possa entrare nell'apertura di installazione e spingerla in posizione. Inserirla sempre a fondo finché si blocca in posizione con un leggero scatto. In caso contrario, potrebbe accidentalmente cadere fuori dall'utensile causando un incidente all'operatore o a chi è vicino.
- Per inserire la batteria non bisogna usare forza. Se la batteria non entra facilmente, vuol dire che non viene inserita correttamente.

Funzionamento dell'interruttore (Fig. 2)

ATTENZIONE:

- Prima di inserire la batteria nell'utensile, controllare sempre che il grilletto dell'interruttore funzioni correttamente e torni sulla posizione "OFF" quando viene rilasciato.

Per avviare l'utensile, schiacciare semplicemente il grilletto dell'interruttore. Rilasciare l'interruttore per fermarlo.

MONTAGGIO

ATTENZIONE:

- Accertarsi sempre che l'utensile sia spento e che la batteria sia stata rimossa prima di qualsiasi intervento sull'utensile.

Smaltimento della polvere

ATTENZIONE:

- Svuotare l'aspiratore prima che diventi troppo pieno, perché altrimenti la forza di aspirazione si riduce.
- Svuotare l'aspiratore della polvere all'interno. In caso contrario, il filtro potrebbe diventare intasato o si potrebbe danneggiare il motore.

Per togliere la polvere attaccata al filtro nella capsula, dare 4 o 5 colpi leggeri alla capsula con la mano. (Fig. 3) Rivolgere in basso l'ingresso di aspirazione, girare la capsula nella direzione della freccia nella illustrazione e staccare lentamente e dritta la capsula. (Fig. 4)

NOTA:

- Quando si apre la capsula, la polvere potrebbe cadere fuori, per cui aprire la capsula sopra il secchio della spazzatura.

Togliere la polvere accumulata dall'interno della capsula e dal prefiltro. (Fig. 5)

Girare il prefiltro nella direzione della freccia per sganciare il labbro di fissaggio dall'aspiratore, e tirare poi fuori il prefiltro. (Fig. 6)

Togliere la polvere fine dal prefiltro. Rimuovere poi il filtro e togliere la polvere dandogli dei colpi leggeri. (Fig. 7)

Riassemblaggio

Montare il filtro finché è completamente in posizione nell'aspiratore. (Fig. 8)

NOTA:

- Accertarsi di inserire il filtro dritto senza che si rovesci indietro. Se si monta il filtro in modo sbagliato, come mostrato nella illustrazione, la polvere entra nell'alloggiamento del motore causando un guasto del motore. (Fig. 9)

Collegare il prefiltro. A questo punto, ruotare il prefiltro in modo che il labbro di fissaggio sia agganciato saldamente all'aspiratore. (Fig. 10 e 11)

Collegare la capsula. Allineare la sporgenza sulla capsula con la sporgenza sul manico e ruotare con decisione la capsula nella direzione della freccia finché è fissata. (Fig. 12 e 13)

NOTA:

- Togliere sempre tempestivamente la polvere, perché la forza di aspirazione si riduce se nell'aspiratore c'è troppa polvere.
- Controllare sempre che entrambi il filtro e il prefiltro siano installati correttamente prima di usare l'aspiratore. Se non sono installati correttamente, la polvere entra nell'alloggiamento del motore causando un guasto del motore.
Il filtro e il prefiltro non sono installati correttamente se si verificano i problemi seguenti. Risistemarli correttamente per correggere il problema.

Esempi di problemi

Esempio 1: È stato installato soltanto il prefiltro (niente filtro) (Fig. 14)

Esempio 2: È stato installato soltanto il filtro (niente prefiltro) (Fig. 15)

Esempio 3: Il filtro è stato installato rovesciato (Fig. 16)

Esempio 4: Il labbro di fissaggio del prefiltro non è agganciato saldamente alla scanalatura dell'alloggiamento dell'aspiratore (Fig. 17)

OPERAZIONI

ATTENZIONE:

- Per collegare gli accessori, come la bocchetta, ruotare e inserire l'accessorio nella direzione della freccia in modo da assicurare che sia attaccato saldamente durante l'uso.
Se si gira l'accessorio nella direzione opposta quando lo si collega o lo si scollega, la capsula potrebbe aprirsi. (Fig. 18)
- **Tenere lontane le estremità di capelli, sciarpe, sciali, e così via, dalle aperture di scarico.** Potrebbero restare impigliate nel motore e causare lesioni personali. (Fig. 19)

Pulizia (Aspirazione)

Bocchetta (Fig. 20)

Attaccare la bocchetta per pulire i tavoli, le scrivanie, i mobili, ecc. La bocchetta si attacca facilmente.

Bocchetta + Prolunga (tubo diritto) (Fig. 21)

La prolunga va montata tra la bocchetta e l'aspiratore stesso. Questa disposizione è comoda per pulire il pavimento stando eretti.

Accessorio per fessure (Fig. 22)

Montare l'accessorio per fessure per la pulizia degli angoli e delle fessure di un'automobile o mobile.

Accessorio per fessure + Prolunga (tubo diritto) (Fig. 23)

Usare questa disposizione per la pulizia dei posti dove la bocchetta non può entrare, o di quelli alti difficili da raggiungere.

Pulizia senza la bocchetta (Fig. 24)

La polvere può essere aspirata senza la bocchetta.

MANUTENZIONE

ATTENZIONE:

- Accertarsi sempre che l'utensile sia spento prima di procedere all'ispezione o alla manutenzione.

Cosa controllare prima di chiamare il tecnico per la riparazione

Sintomo	Area da controllare	Metodo di correzione del problema
Forza di aspirazione debole	<ul style="list-style-type: none">• La capsula è piena di polvere?• Il filtro è intasato?• La batteria è scarica?	<ul style="list-style-type: none">• Vuotare la capsula dalla polvere.• Togliere la polvere dal filtro o lavarlo.• Ricaricare la batteria.
L'aspiratore non funziona	<ul style="list-style-type: none">• La batteria è scarica?	<ul style="list-style-type: none">• Ricaricare la batteria.

010051

NOTA:

- Non si deve cercare di riparare l'aspiratore da soli.

Per preservare la SICUREZZA e L'AFFIDABILITÀ del prodotto, le riparazioni, la manutenzione o la regolazione devono essere eseguite da un centro assistenza Makita autorizzato usando sempre ricambi Makita.

ACCESSORI OPZIONALI

ATTENZIONE:

- Si consigliano questi accessori o ricambi per l'uso con l'utensile Makita specificato in questo manuale. L'utilizzo di qualsiasi altro accessorio o ricambio potrebbe comportare il rischio di incidenti. Usare soltanto gli accessori o i ricambi per questo scopo prefissato.

Per maggiori dettagli riguardo a questi accessori, rivolgersi al Centro di Assistenza Makita locale.

- Prolunga (tubo diritto)
- Bocchetta
- Bocchetta per tappeti
- Spazzola per scaffali
- Accessorio per fessure
- Spazzola rotonda
- Manicotto flessibile
- Filtro
- Prefiltro
- Batteria e caricatore genuini Makita

Dopo l'uso (Fig. 25 e 26)

Quando si ripone l'aspiratore, bloccare la testa della bocchetta e sospenderlo da un gancio disponibile in commercio.

ATTENZIONE:

- Se si posa l'aspiratore contro una parete senza un gancio, esso potrebbe cadere danneggiandosi.

Pulizia

Pulire ogni tanto l'esterno (corpo aspiratore) usando un panno bagnato con acqua e sapone. Pulire anche l'apertura di aspirazione, l'area di montaggio del sacchetto polvere/pacco carta e il fermo polvere. (Fig. 27)

ATTENZIONE:

- Mai usare benzina, benzene, solventi, alcol e altre sostanze simili. Potrebbero causare scolorimenti, deformazioni o crepe.

Lavare il filtro in acqua e sapone quando è intasato di polvere e la potenza dell'aspiratore si riduce. Asciugarlo completamente prima dell'uso. Se il filtro polvere non è sufficientemente asciutto, potrebbe causare una scarsa aspirazione e ridurre la vita di servizio del motore. (Fig. 28)

NOTA:

- Alcuni articoli nella lista potrebbero essere inclusi nell'imballo dell'utensile come accessori standard. Essi potrebbero differire da Paese a Paese.

WAARSCHUWING: Dit apparaat mag worden gebruikt door kinderen van 8 jaar en ouder of door personen met beperkte fysieke, zintuiglijke of verstandelijke vermogens of gebrek aan ervaring of kennis van zaken, maar alleen onder toezicht of na instructie in veilig gebruik van het apparaat, met begrip van de eventuele risico's. Kinderen mogen niet met het apparaat spelen. Reinigen en onderhoud van het apparaat mag niet door kinderen worden verricht, tenzij onder toezicht.

Verklaring van algemene gegevens

1 Accu	7 Bevestigingslip	12 Mondstuk
2 Knop	8 Filter	13 Stofzuiger
3 Trekschakelaar	9 Handgreep	14 Verlengbuis
4 Beker	10 Uitsteeksel	15 Hoekmondstuk
5 Zuigmond	11 Gleuf in de behuizing van de stofzuiger	
6 Voorfilter		

TECHNISCHE GEGEVENS

Model	CL070D		CL100D
Inhoud	600 mL		
Ononderbroken gebruik	Ong. 8 min.	Ong. 12 min.	Ong. 12 min.
Totale lengte	966 mm		
Netto gewicht	0,81 kg		0,88 kg
Accu(s)	BL7010	BL0715	BL1013
Nominale spanning	7,2 V gelijkstroom		10,8 V gelijkstroom

- Als gevolg van ons doorlopende onderzoeks- en ontwikkelingsprogramma, zijn de technische gegevens onderhevig aan veranderingen zonder voorafgaande kennisgeving.
- De technische gegevens kunnen van land tot land verschillen.
- Gewicht, inclusief accu, volgens de EPTA-procedure 01/2003

ENE017-1

Gebruiksdoeleinden

Het gereedschap is bedoeld om droog stof te verzamelen.

ENA005-5

BELANGRIJK

VEILIGHEIDSINSTRUCTIES

Bij het gebruik van een elektrisch apparaat, moeten basisvoorzorgsmaatregelen altijd worden genomen, waaronder de volgende:

LEES ALLE INSTRUCTIES ALVORENS DIT APPARAAT TE GEBRUIKEN.

WAARSCHUWING – Om de kans op brand of een elektrische schok te verkleinen:

1. Stel niet bloot aan regen. Bewaar binnenshuis.

2. **Sta niet toe dat er mee gespeeld wordt. Let goed op bij gebruik in de buurt van kinderen.**
3. **Gebruik uitsluitend zoals beschreven in deze gebruiksaanwijzing. Gebruik uitsluitend hulpstukken aanbevolen door de fabrikant.**
4. **Gebruik nooit met een beschadigde accu. Als het apparaat niet werkt zoals het zou moeten werken, is gevallen, is beschadigd buiten heeft gelegen of in het water is gevallen, stuurt u het terug naar een servicecentrum.**
5. **Hanteer het apparaat niet met natte handen.**
6. **Steek geen voorwerpen in de openingen. Gebruik het apparaat niet wanneer een opening verstopt zit, houd het apparaat vrij van stof, pluizen, haar en alles wat de luchtdoorstroming kan hinderen.**
7. **Houd haar, loshangende kleding, vingers en alle lichaamsdelen uit de buurt van de openingen en bewegende delen.**
8. **Schakel alle knoppen uit alvorens de accu eraf te halen.**
9. **Wees extra voorzichtig bij gebruik op een trap.**
10. **Zuig geen ontvlambare of brandbare vloeistoffen, zoals benzine, op en gebruik het niet op plaatsen waar deze aanwezig kunnen zijn.**

11. Gebruik voor het opladen uitsluitend de acculader die door de fabrikant werd geleverd.
12. Zuig niets op dat brandt of rookt, zoals sigaretten, lucifers of hete as.
13. Gebruik het apparaat niet zonder dat de filters zijn aangebracht.
14. Laad de accu niet buitenshuis op.

Bediening en zorg voor accugereedschap

15. Alleen opladen met de door de fabrikant voorgeschreven acculader. Een acculader die geschikt is voor een bepaald type accu kan brandgevaarlijk zijn bij gebruik met een ander type accu.
16. Gebruik elektrische apparatuur alleen op accu's die daar specifiek voor zijn ontworpen. Gebruik van andere accu's of batterijen kan gevaar voor letsel of brandgevaar opleveren.
17. Wanneer u de accu niet gebruikt, zorgt u dat die niet in aanraking komt met andere metalen voorwerpen, zoals paperclips, kleingeld, sleutels, spijkers, schroeven of andere kleine metalen voorwerpen die de contactpunten kunnen kortsluiten.
18. Bij misbruik kan er vloeistof uit de accu lekken; raak die vloeistof niet aan. Mocht u per ongeluk in aanraking komen met accuvloeistof, wast u die dan met water af.

BEWAAR DEZE VOORSCHRIFTEN.

Dit apparaat is bedoeld voor huishoudelijk gebruik.

ENB114-3

AANVULLENDE VEILIGHEIDSVORSCHRIFTEN

1. Lees deze gebruiksaanwijzing en die van de acculader voor gebruik aandachtig door.
2. Zuig de volgende stoffen niet op:
 - Hete stoffen, zoals brandende sigaretten of gloeiend hete metaaldeeltjes veroorzaakt door het schuren/slijpen van metaal
 - Brandbare stoffen, zoals benzine, thinner, wasbenzine, kerosine of verf
 - Explosieve stoffen, zoals nitroglycerine
 - Ontvlambare stoffen, zoals aluminium, zink, magnesium, titanium, fosfor of celluloid
 - Nat vuil, water, olie en dergelijk
 - Harde stukjes met scherpe randen, zoals houtsnippers, metaaldeeltjes, steentjes, glasstukjes, spijkers, punaises of scheermesjes
 - Poeder dat klontert, zoals cement of toner
 - Geleidend stof, zoals metaalvizel of koolstofpoeder
 - Zeer fijn stof, zoals cementpoeder
 Een dergelijk gebruik kan leiden tot brand, persoonlijk letsel en/of materiële schade.
3. Stop onmiddellijk met het gebruik als u iets abnormaals opmerkt.
4. Als u de stofzuiger laat vallen of ergens tegenaan stoot, controleert u zorgvuldig op barsten of beschadigingen voordat u deze weer gebruikt.
5. Houd uit de buurt van fornuizen en verwarmingsbronnen.

6. Blokkeer de inlaatopening en de ventilatieopeningen niet.

BEWAAR DEZE VOORSCHRIFTEN.

ENC009-4

BELANGRIJKE VEILIGHEIDSVORSCHRIFTEN

VOOR ACCU

1. Lees alle voorschriften en waarschuwingen op (1) de acculader, (2) de accu, en (3) het product waarvoor de accu wordt gebruikt, aandachtig door alvorens de acculader in gebruik te nemen.
2. Neem de accu niet uit elkaar.
3. Als de gebruikstijd van een opgeladen accu aanzienlijk korter is geworden, moet u het gebruik ervan onmiddellijk stopzetten. Voortgezet gebruik kan oververhitting, brandwonden en zelfs een ontploffing veroorzaken.
4. Als er elektrolyt in uw ogen is terechtgekomen, spoel dan uw ogen met schoon water en roep onmiddellijk de hulp van een dokter in. Elektrolyt in de ogen kan blindheid veroorzaken.
5. Voorkom kortsluiting van de accu:
 - (1) Raak de accuklemmen nooit aan met een geleidend materiaal.
 - (2) Bewaar de accu niet in een bak waarin andere metalen voorwerpen zoals spijkers, munten e.d. worden bewaard.
 - (3) Stel de accu niet bloot aan water of regen.
 Kortsluiting van de accu kan oorzaak zijn van een grote stroomafgifte, oververhitting, brandwonden, en zelfs defecten.
6. Bewaar het gereedschap en de accu niet op plaatsen waar de temperatuur kan oplopen tot 50°C of hoger.
7. Werp de accu nooit in het vuur, ook niet wanneer hij zwaar beschadigd of volledig versleten is. De accu kan namelijk ontploffen in het vuur.
8. Wees voorzichtig dat u de accu niet laat vallen en hem niet blootstelt aan schokken of stoten.
9. Gebruik nooit een beschadigde accu.
10. De inbegrepen lithium-ionenaccu's vallen onder de wetgeving op gevaarlijke voorwerpen. Bij commercieel vervoer door derden, zoals transportbedrijven, moeten de speciale voorschriften voor de verpakking en de inhoudsomschrijving worden nageleefd. Ter voorbereiding voor de verscheping van het product moet het advies van een expert in de omgang met gevaarlijke materialen worden gevolgd. Neem vooral ook de mogelijk meer gedetailleerde nationale voorschriften in acht. Bedek open contactpunten met folie of isolatieband en verpak de accu zodanig dat die niet vrij kan bewegen in de verpakking.
11. Volg bij het wegwerpen van de accu de plaatselijk geldende voorschriften.

BEWAAR DEZE VOORSCHRIFTEN.

LET OP: Gebruik alleen originele Makita accu's.

Het gebruik van andere dan echte Makita accu's of accu's die op enige wijze zijn aangepast, kan resulteren in openbarsten van de accu, hetgeen brand, lichamelijk letsel en schade kan veroorzaken. Bovendien zal het de Makita garantie voor het Makita gereedschap en de acculader ongeldig maken.

Tips voor een maximale levensduur van de accu

1. **Laad de accu op voordat hij volledig ontladen is. Stop het gebruik van het gereedschap en laad de accu op telkens wanneer u vaststelt dat het vermogen van het gereedschap is afgenomen.**
2. **Laad een volledig opgeladen accu nooit opnieuw op. Als u de accu te veel oplaadt, zal hij minder lang meegaan.**
3. **Laad de accu op bij een kamertemperatuur tussen 10°C en 40°C. Laat een warme accu afkoelen alvorens hem op te laden.**

BESCHRIJVING VAN DE FUNCTIES

LET OP:

- Zorg altijd dat het gereedschap is uitgeschakeld en de accu ervan is verwijderd alvorens de functies op het gereedschap af te stellen of te controleren.

Installeren of verwijderen van de accu (Fig. 1)

- Schakel het gereedschap altijd uit alvorens de accu te installeren of te verwijderen.
- Om de accu te verwijderen, neemt u deze uit het gereedschap terwijl u de knoppen aan beide zijden van de accu indrukt.
- Om de accu aan te brengen, houdt u deze zo vast dat de voorkant van de accu past in de accu-installatieopening op de stofzuiger, en duwt u de accu op zijn plaats. Duw de accu altijd helemaal erop tot deze op zijn plaats wordt vergrendeld met een kleine klik. Als u dit niet doet, kan de accu tijdens gebruik van het gereedschap eraf vallen en letsel veroorzaken bij u of een omstander.
- Probeer nooit om de accu met geweld erin te duwen. Als de accu er niet gemakkelijk ingaat, betekent dit dat u hem niet op de juiste wijze erin steekt.

Werking van de trekschakelaar (Fig. 2)

LET OP:

- Alvorens de accu in het gereedschap te plaatsen, moet u altijd controleren of de trekschakelaar goed werkt en bij het loslaten naar de "OFF" positie terugkeert.

Om het gereedschap te starten, drukt u gewoon de trek-schakelaar in. Laat de schakelaar los om het gereedschap te stoppen.

INEENZETTEN

LET OP:

- Controleer altijd of het gereedschap is uitgeschakeld en de accu ervan is verwijderd alvorens enig werk aan het gereedschap uit te voeren.

Het stof weggooien

LET OP:

- Leeg de stofzuiger voordat deze te vol raakt omdat dan de zuigkracht afneemt.

- Vergeet niet het stof in de stofzuiger zelf weg te gooien. Als u dit nalaat, kan het filter verstopt raken of de motor beschadigd raken.

Om het stof dat aan het filter kleeft in de beker te laten vallen, tikt u met uw hand 4 of 5 keer tegen de beker. (Fig. 3)

Richt de zuigmond vervolgens omlaag, draai de beker in de richting van de pijl in de afbeelding, en haal de beker langzaam en recht eraf. (Fig. 4)

OPMERKING:

- Wanneer de beker eraf gehaald wordt, kan stof eruit vallen, zodat het handig is een vuilniszak onder de beker te houden.

Verwijder het verzamelde stof uit de beker en vanaf het voorfilter. (Fig. 5)

Verdraai het voorfilter in de richting van de pijl om de bevestigingslip los te maken van de behuizing van de stofzuiger, en trek vervolgens het voorfilter eraf. (Fig. 6)

Verwijder het fijne stof uit het voorfilter. Haal vervolgens het filter eraf en tik er voorzichtig tegen om het stof los te maken. (Fig. 7)

In elkaar zetten

Breng het filter aan tot deze volledig op zijn plaats zit op de behuizing van de stofzuiger. (Fig. 8)

OPMERKING:

- Zorg ervoor dat het filter er recht op aangebracht wordt zonder dubbelgevouwen te worden. Als het filter verkeerd erop aangebracht wordt, zoals aangegeven in de afbeelding, zal het stof binnendringen in het motorhuis en tot motorstoring leiden. (Fig. 9)

Breng het voorfilter aan. Let er daarbij op het voorfilter te verdraaien zodat de bevestigingslip goed vergrendeld wordt in de behuizing van de stofzuiger. (Fig. 10 en 11)

Breng de beker aan. Lijn het uitsteeksel op de beker uit met het uitsteeksel op de handgreep, en verdraai de beker daarna stevig in de richting van de pijl tot hij wordt vergrendeld. (Fig. 12 en 13)

OPMERKING:

- Verwijder het stof altijd tijdig omdat de zuigkracht lager wordt wanneer er te veel stof in de stofzuiger zit.
- Controleer altijd of het filter en voorfilter correct zijn aangebracht voordat u de stofzuiger gaat gebruiken. Als deze niet correct zijn aangebracht, zal het stof binnendringen in het motorhuis en tot motorstoring leiden. In het geval de volgende situaties zich voordoen, zijn het filter en/of voorfilter niet correct aangebracht. Breng deze opnieuw en correct aan om het probleem op te lossen.

Voorbeelden van problemen

Voorbeeld 1: Alleen het voorfilter is aangebracht (geen filter). (Fig. 14)

Voorbeeld 2: Alleen het filter is aangebracht (geen voorfilter). (Fig. 15)

Voorbeeld 3: Het filter is aangebracht, maar is dubbelgevouwen. (Fig. 16)

Voorbeeld 4: De bevestigingslip van het voorfilter is niet goed vergrendeld in de gleuf in de behuizing van de stofzuiger. (Fig. 17)

BEDIENING

LET OP:

- Om een accessoire, zoals een mondstuk, aan te brengen, steekt u de accessoire in de zuigmond en verdraait u deze in de richting van de pijl om zeker te zijn van een stevige verbinding tijdens gebruik. Om de accessoire eraf te halen, verdraait u deze nogmaals in de richting van de pijl en trekt u de accessoire eraf. Als u de accessoire in de tegenovergestelde richting verdraait bij het aanbrengen of eraf halen, kan de beker los raken. (Fig. 18)
- **Houd het uiteinde van uw haren, sjaal, enz. uit de buurt van de luchtuitlatopeningen.** Deze kunnen verstrikt raken in de motor waardoor letsel wordt veroorzaakt. (Fig. 19)

Schoonmaken (zuigen)

Mondstuk (Fig. 20)

Bevestig het mondstuk voor het schoonmaken van tafels, bureaus, meubels, enz. Het mondstuk kan eenvoudig op de stofzuiger worden geplaatst.

Mondstuk + verlengbuis (rechte buis) (Fig. 21)

De verlengbuis past tussen het mondstuk en de stofzuigermond. Deze werkwijze is handig bij het schoonmaken van de grond terwijl u rechtop staat.

Hoekmondstuk (Fig. 22)

Bevestig het hoekmondstuk voor het schoonmaken van hoeken en spleten van meubels of in auto's.

Hoekmondstuk + verlengbuis (rechte buis) (Fig. 23)

In kleine ruimten waar de stofzuiger zelf niet in past, of op hoge plaatsen die moeilijk te bereiken zijn, gebruikt u deze werkwijze.

Controleer de onderstaande punten alvorens te laten repareren

Symptoom	Mogelijke oorzaak	Mogelijke oplossing
Geringe zuigkracht	<ul style="list-style-type: none">• Zit de beker vol stof?• Zit het filter verstopt?• Is de accu leeg?	<ul style="list-style-type: none">• Verwijder het stof uit de beker.• Maak het filter leeg of was het uit.• Laad de accu op.
Apparaat werkt niet	<ul style="list-style-type: none">• Is de accu leeg?	<ul style="list-style-type: none">• Laad de accu op.

010051

OPMERKING:

- Probeer de stofzuiger niet zelf te repareren.

Om de VEILIGHEID en BETROUWBAARHEID van het product te handhaven, dienen alle reparaties en alle andere onderhoudswerkzaamheden of afstellingen te worden uitgevoerd door een erkend Makita Servicecentrum, en dat uitsluitend met gebruik van Makita vervangingsonderdelen.

OPTIONELE ACCESSOIRES

LET OP:

- Deze accessoires of hulpstukken worden aanbevolen voor gebruik met het Makita-gereedschap dat in deze gebruiksaanwijzing wordt beschreven. Het gebruik van andere accessoires of hulpstukken kan gevaar op persoonlijk letsel opleveren. Gebruik de accessoires of hulpstukken uitsluitend voor de aangegeven gebruiksdoeleinden.

Mocht u meer informatie willen hebben over deze accessoires, dan kunt u contact opnemen met uw plaatselijke Makita-servicecentrum.

Stofzuigen zonder mondstuk (Fig. 24)

U kunt poeder en stof opzuigen zonder een mondstuk.

ONDERHOUD

LET OP:

- Zorg er altijd voor dat het gereedschap is uitgeschakeld voordat u een inspectie of onderhoud uitvoert.

Na gebruik (Fig. 25 en 26)

Voor het opbergen van de stofzuiger zet u het mondstuk vast en dan hangt u de stofzuiger aan een stevige, in de handel verkrijgbare haak.

LET OP:

- Als u de stofzuiger niet aan een haak hangt maar los tegen de wand laat leunen, kan de stofzuiger gemakkelijk omvallen en beschadigd raken.

Schoonmaken

Veeg regelmatig de buitenkant (behuizing) van de stofzuiger schoon met een in zeepwater bevochtigde doek. Maak tevens de stofzuigermond, opening voor de stoffen/papieren stofzak en de stofstopper schoon. (Fig. 27)

LET OP:

- Gebruik nooit benzine, wasbenzine, thinner, alcohol en dergelijke. Hierdoor het verkleuring, vervormingen en barsten worden veroorzaakt.

Was het filter in zeepwater als deze verstopt zit met stof en de zuigkracht van de stofzuiger sterk is afgenomen. Droog het goed alvorens weer te gebruiken. Een onvoldoende droog filter kan leiden tot slecht zuigen en kan de levensduur van de motor verkorten. (Fig. 28)

- Verlengbuis (rechte buis)
- Mondstuk
- Mondstuk voor tapijt
- Boekenplankborstel
- Hoekmondstuk
- Ronde borstel
- Flexibele slang
- Filter
- Voorfilter
- Originele Makita accu en acculader

OPMERKING:

- Sommige onderdelen in deze lijst kunnen bij het gereedschap zijn meeverpakt als standaard-accessoires. Deze kunnen van land tot land verschillen.

ADVERTENCIA: Este aparato puede ser utilizado por niños de 8 o más años de edad y personas con capacidades físicas, sensoriales o mentales mermadas, o sin experiencia y conocimiento, si han recibido supervisión o instrucción para el uso del aparato de forma segura y son conscientes del peligro que implica. Los niños no deben jugar con el aparato. La limpieza y mantenimiento que debe hacer el usuario no deben ser realizados por niños sin supervisión.

Explicación de los dibujos

- | | | |
|-----------------------|---------------------------------------|---------------------------|
| 1 Cartucho de batería | 7 Pestaña de sujeción | 12 Boquilla |
| 2 Botón | 8 Filtro | 13 Aspirador |
| 3 Gatillo interruptor | 9 Empuñadura | 14 Tubo de extensión |
| 4 Cápsula | 10 Saliente | 15 Boquilla para esquinas |
| 5 Boca de succión | 11 Ranura de la carcasa del aspirador | |
| 6 Prefiltro | | |

ESPECIFICACIONES

Modelo	CL070D		CL100D
Capacidad	600 mL		
Utilización continua	Aprox. 8 min.	Aprox. 12 min.	Aprox. 12 min.
Longitud total	966 mm		
Peso neto	0,81 kg		0,88 kg
Cartucho(s) de batería	BL7010	BL0715	BL1013
Tensión nominal	CC 7,2 V		CC 10,8 V

- Debido a nuestro continuo programa de investigación y desarrollo, las especificaciones en este manual están sujetas a cambio sin previo aviso.
- Las especificaciones pueden variar de un país a otro.
- Peso, con el cartucho de batería, de acuerdo con el procedimiento EPTA 01/2003

ENE017-1

Uso previsto

La herramienta ha sido prevista para recoger polvo seco.

ENA005-5

IMPORTANTE

INSTRUCCIONES DE SEGURIDAD

Quando se utiliza un aparato eléctrico, siempre se deben tomar precauciones básicas, incluidas las siguientes:

LEA TODAS LAS INSTRUCCIONES ANTES DE UTILIZAR EL APARATO.

ADVERTENCIA – Para reducir el riesgo de sufrir un incendio, una descarga eléctrica o heridas:

1. No exponga el aparato a la lluvia. Almacene el aparato en interiores.
2. No permita que el aparato sea utilizado como juguete. Es necesario prestar mucha atención cuando el aparato es utilizado cerca de niños.

3. **Utilice el aparato solamente de la forma descrita en este manual. Utilice solamente los accesorios recomendados por el fabricante.**
4. **No utilice el aparato con una batería dañada. Si el aparato no está funcionando como es debido, si se ha dejado caer, se ha dañado, se ha dejado en exteriores, o se ha caído al agua, llévelo a un centro de servicio.**
5. **No maneje el aparato con las manos mojadas.**
6. **No ponga ningún objeto dentro de las aberturas. No utilice el aparato con ninguna de sus aberturas bloqueada; manténgalo libre de polvo, hilachas, pelo, y cualquier cosa que pueda reducir la circulación del aire.**
7. **Mantenga el pelo, ropa holgada, dedos, y todas las partes del cuerpo alejadas de las aberturas y partes en movimiento.**
8. **Desactive todos los controles antes de extraer la batería.**
9. **Utilice cuidado especial cuando limpie en escaleras.**
10. **No utilice el aparato para recoger líquidos inflamables o combustibles, tal como gasolina, ni en áreas donde pueda haber tales líquidos.**
11. **Utilice solamente el cargador suministrado por el fabricante para recargar.**
12. **No recoja nada que esté quemándose o echando humo, tal como cigarrillos, cerillas, o cenizas calientes.**

13. No utilice el aparato sin los filtros instalados.
14. No cargue la batería en exteriores.

Utilización y cuidado de la herramienta a batería

15. Cargue la batería solamente con el cargador especificado por el fabricante. Un cargador que es apropiado para un tipo de batería puede crear un riesgo de incendio cuando se utiliza con otra batería.
16. Utilice las herramientas eléctricas solamente para las baterías designadas específicamente para ellas. La utilización de cualquier otra batería puede crear un riesgo de heridas y un incendio.
17. Cuando la batería no esté siendo utilizada, guárdela alejada de otros objetos metálicos, como sujetapapeles, monedas, llaves, clavos, tornillos u otros objetos metálicos pequeños, que puedan hacer conexión entre un terminal y el otro.
18. En condiciones abusivas, es posible que salga expulsado líquido de la batería; evite el contacto con él. Si se produce un contacto accidental, enjuague con agua.

GUARDE ESTAS INSTRUCCIONES.

Este aparato ha sido previsto para ser utilizado en el hogar.

ENB114-3

NORMAS DE SEGURIDAD ADICIONALES

1. Lea este manual de instrucciones y el manual de instrucciones del cargador atentamente antes de utilizar el aparato.
2. No recoja los materiales siguientes:
 - Materiales calientes tales como cigarrillos encendidos o polvo de chispas/metales generado al cortar/amolar metales
 - Materiales inflamables tales como gasolina, disolvente, bencina, keroseno o pintura
 - Materiales explosivos como nitroglicerina
 - Materiales que puedan prenderse como aluminio, cinc, magnesio, titanio, fósforo o celuloide
 - Suciedad mojada, agua, aceite o similares
 - Piezas duras con bordes cortantes, tales como virutas de madera, metales, piedras, cristales, clavos, alfileres o cuchillas de afeitar
 - Polvo que cuaje tales como cemento o tónor
 - Polvo conductivo como metales o carbón
 - Partículas finas como polvo de cemento

Tales acciones podrán causar un incendio, heridas y/o daños a la propiedad.
3. Detenga inmediatamente la operación si nota algo anormal.
4. Si deja caer o golpea el aspirador, compruebe atentamente si tiene grietas o algún daño antes de iniciar la operación.
5. No lo acerque a estufas u otras fuentes de calor.
6. No bloquee el orificio de admisión ni los orificios de ventilación.

GUARDE ESTAS INSTRUCCIONES.

INSTRUCCIONES DE SEGURIDAD IMPORTANTES

PARA EL CARTUCHO DE BATERÍA

1. Antes de utilizar el cartucho de batería, lea todas las instrucciones e indicaciones de precaución sobre (1) el cargador de baterías, (2) la batería, y (3) el producto con el que se utiliza la batería.
2. No desarme el cartucho de batería.
3. Si el tiempo de uso del cartucho de batería se acorta demasiado, deje de usarlo inmediatamente. Podría resultar en un riesgo de recalentamiento, posibles quemaduras e incluso una explosión.
4. Si entra electrólito en sus ojos, aclárelos con agua limpia y vea a un médico inmediatamente. Existe el riesgo de poder perder la vista.
5. No cortocircuite el cartucho de batería:
 - (1) No toque los terminales con ningún material conductor.
 - (2) Evite guardar el cartucho de batería en un cajón junto con otros objetos metálicos, tales como clavos, monedas, etc.
 - (3) No exponga el cartucho de batería al agua ni a la lluvia.

Un cortocircuito en la batería puede producir una gran circulación de corriente, un recalentamiento, posibles quemaduras e incluso una rotura de la misma.
6. No guarde la herramienta ni el cartucho de batería en lugares donde la temperatura pueda alcanzar o exceder los 50°C.
7. Nunca incinere el cartucho de batería incluso en el caso de que esté dañado seriamente o ya no sirva en absoluto. El cartucho de batería puede explotar si se tira al fuego.
8. Tenga cuidado de no dejar caer ni golpear el cartucho de batería.
9. No utilice una batería dañada.
10. Las baterías de litio-ion contenidas están sujetas a los requisitos de la Legislación para Materiales Peligrosos.

Para transportes comerciales, p.ej., por terceras personas y agentes de transportes, se deberán observar requisitos especiales para el empaquetado y etiquetado.

Para la preparación del artículo que se va a enviar, se requiere consultar con un experto en materiales peligrosos. Por favor, observe también la posibilidad de reglamentos nacionales más detallados. Cubra con cinta aislante o enmascare los contactos expuestos y empaquete la batería de tal manera que no se pueda mover alrededor dentro del empaque.
11. Siga los reglamentos locales referentes al desecho de la batería.

GUARDE ESTAS INSTRUCCIONES.

PRECAUCIÓN: Utilice solamente baterías genuinas de Makita.

La utilización de baterías no genuinas de Makita, o baterías que han sido alteradas, puede resultar en una explosión de la batería ocasionando incendios, heridas personales y daños. También anulará la garantía de Makita para la herramienta y el cargador de Makita.

Consejos para alargar al máximo la vida de servicio de la batería

1. **Cargue el cartucho de batería antes de que se descargue completamente. Pare siempre la operación y cargue el cartucho de batería cuando note menos potencia en la herramienta.**
2. **No cargue nunca un cartucho de batería que esté completamente cargado. La sobrecarga acortará la vida de servicio de la batería.**
3. **Cargue el cartucho de batería a temperatura ambiente de 10°C – 40°C. Si un cartucho de batería está caliente, déjelo enfriar antes de cargarlo.**

DESCRIPCIÓN DEL FUNCIONAMIENTO

PRECAUCIÓN:

- Asegúrese siempre de que la herramienta esté apagada y el cartucho de batería extraído antes de realizar cualquier ajuste o comprobación en la herramienta.

Instalación o desmontaje del cartucho de batería (Fig. 1)

- Apague siempre la herramienta antes de insertar o extraer el cartucho de batería.
- Para retirar el cartucho de batería, sáquelo de la herramienta mientras presiona los botones a cada lado del mismo.
- Para insertar el cartucho de batería, sujételo de forma que la parte frontal del mismo encaje en la abertura de instalación de batería y deslícelo hacia el interior hasta encajarlo en su sitio. Insértelo siempre a fondo hasta que quede bloqueado en su sitio produciendo un ligero chasquido. En caso contrario, podrá caerse accidentalmente de la herramienta, ocasionando heridas a usted o a alguien cerca de usted.
- No emplee fuerza cuando inserte el cartucho de batería. Si el cartucho no se desliza al interior fácilmente, será porque no está siendo insertado correctamente.

Accionamiento del interruptor (Fig. 2)

PRECAUCIÓN:

- Antes de insertar el cartucho de batería en la herramienta, compruebe siempre para cerciorarse de que el gatillo interruptor se acciona debidamente y que vuelve a la posición "OFF" cuando lo suelta.

Para poner en marcha la herramienta, simplemente apriete el gatillo interruptor. Suelte el gatillo interruptor para parar.

MONTAJE

PRECAUCIÓN:

- Asegúrese siempre de que la herramienta esté apagada y el cartucho de batería extraído antes de realizar cualquier trabajo en la herramienta.

Eliminación del polvo

PRECAUCIÓN:

- Vacíe el aspirador antes de que se llene demasiado, o la fuerza de succión se debilitará.
- Asegúrese de vaciar el polvo dentro del propio aspirador. De lo contrario, el filtro podrá obstruirse o dañarse el motor.

Para que el polvo adherido en el filtro caiga en la cápsula, golpee la cápsula 4 ó 5 veces con la mano. (Fig. 3) Ahora oriente la boca de succión hacia abajo, gire la cápsula en la dirección de la flecha mostrada en el diagrama, y desconecte la cápsula despacio y en línea recta. (Fig. 4)

NOTA:

- Es posible que el polvo se derrame al abrir la cápsula, por lo que deberá asegurarse de colocar una bolsa de basura debajo de la cápsula.

Extraiga el polvo acumulado en el interior de la cápsula y del prefiltro. (Fig. 5)

Gire el prefiltro en la dirección de la flecha para soltar la pestaña de sujeción de la unidad del aspirador y después extraiga el prefiltro. (Fig. 6)

Quite el polvo fino que quede en el prefiltro. A continuación, extraiga el filtro, y golpéelo ligeramente para desprender el polvo. (Fig. 7)

Montaje

Coloque el filtro hasta que quede posicionado completamente en la unidad del aspirador. (Fig. 8)

NOTA:

- Asegúrese de poner el filtro en línea recta sin quedar doblado hacia atrás. Si el filtro es puesto incorrectamente como se muestra en el diagrama, el polvo entrará en la carcasa del motor, y ocasionará un fallo en el motor. (Fig. 9)

Conecte el prefiltro. Ahora, asegúrese de girar el prefiltro de forma que la pestaña de sujeción quede firmemente bloqueada en la unidad del aspirador. (Fig. 10 y 11)

Conecte la cápsula. Alinee el saliente de la cápsula con el saliente de la empuñadura y después gire la cápsula firmemente en la dirección de la flecha hasta que quede sujeta. (Fig. 12 y 13)

NOTA:

- Extraiga siempre el polvo a tiempo, ya que la potencia de succión se reducirá si hay demasiado polvo acumulado en el aspirador.
- Asegúrese siempre de comprobar que tanto el filtro como el prefiltro están colocados correctamente antes de utilizar el aspirador. Si no están colocados correctamente, el polvo entrará en la carcasa del motor, y ocasionará un fallo en el motor.

Si ocurren los ejemplos siguientes, será porque el filtro y el prefiltro no están colocados correctamente. Vuelva a colocarlos correctamente para rectificar el problema.

Ejemplos de problemas

Ejemplo 1: Sólo ha sido colocado el prefiltro (no el filtro) (Fig. 14)

Ejemplo 2: Sólo ha sido colocado el filtro (no el prefiltro) (Fig. 15)

Ejemplo 3: El filtro ha sido colocado quedando doblado hacia atrás (Fig. 16)

Ejemplo 4: La pestaña de sujeción del prefiltro no está bloqueada firmemente dentro de la ranura de la carcasa del aspirador. (Fig. 17)

OPERACIÓN

PRECAUCIÓN:

- Para conectar accesorios, tales como boquillas, gire e inserte el accesorio en la dirección mostrada por la flecha para cerciorarse de que la conexión es segura durante la utilización. Para desconectar el accesorio, gire y extraiga también en la dirección mostrada por la flecha.

Si gira el accesorio en la dirección opuesta, cuando vaya a conectarlo o a desconectarlo, es posible que la cápsula se afloje. (Fig. 18)

- **Mantenga el extremo de su pelo, la bufanda, el chal, etc., alejados de las aberturas de ventilación.** Pueden enredarse en el motor y ocasionar heridas. (Fig. 19)

Limpieza (Succión)

Boquilla (Fig. 20)

Coloque la boquilla para limpiar mesas, escritorios, muebles, etc. La boquilla se desliza fácilmente.

Boquilla + Tubo de extensión (Tubo recto) (Fig. 21)

El tubo de extensión se encaja entre la boquilla y el propio aspirador. Esta disposición resulta útil para limpiar un suelo estando de pie.

Boquilla para esquinas (Fig. 22)

Encaje la boquilla para esquinas para limpiar esquinas y resquicios de un automóvil o mueble.

Boquilla para esquinas + Tubo de extensión (Tubo recto) (Fig. 23)

En espacios reducidos donde el propio aspirador no puede entrar, o en lugares altos difíciles de alcanzar, utilice esta disposición.

Cosas a comprobar antes de solicitar reparación

Síntoma	Área a investigar	Método de fijación
Poca potencia de succión	<ul style="list-style-type: none"> • ¿Está la cápsula llena de polvo? • ¿Está el filtro atascado? • ¿Está la batería agotada? 	<ul style="list-style-type: none"> • Vacíe la cápsula. • Retire el polvo o lave el filtro. • Cargue la batería.
No funciona	<ul style="list-style-type: none"> • ¿Está la batería agotada? 	<ul style="list-style-type: none"> • Cargue la batería.

010051

NOTA:

- No intente reparar el aspirador usted mismo.

Para mantener la SEGURIDAD y la FIABILIDAD del producto, las reparaciones y cualquier otro mantenimiento o ajuste deberán ser realizados por los centros de servicio autorizado de Makita, siempre con piezas de repuesto de Makita.

ACCESORIOS OPCIONALES

PRECAUCIÓN:

- Estos accesorios o acoplamientos están recomendados para utilizar con la herramienta Makita especificada en este manual. La utilización de cualquier otro accesorio o acoplamiento podrá suponer un riesgo de sufrir heridas personales. Utilice los accesorios o acoplamientos solamente para el propósito que han sido diseñados.

Limpieza sin boquilla (Fig. 24)

Puede recoger partículas y polvo sin la boquilla.

MANTENIMIENTO

PRECAUCIÓN:

- Asegúrese siempre de que la herramienta está apagada antes de intentar realizar una inspección o mantenimiento.

Después de la utilización (Fig. 25 y 26)

Cuando vaya a almacenar el aspirador, bloquee el cabezal de la boquilla, y cuélguelo de un gancho disponible en el comercio.

PRECAUCIÓN:

- Si pone el aspirador contra la pared sin un gancho el aspirador podrá caerse y dañarse.

Limpieza

De vez en cuando, limpie el exterior (cuerpo del aspirador) del aspirador utilizando un paño humedecido en agua jabonosa. Limpie también la abertura de succión, el área de montaje de la bolsa de polvo/paquete de papel y el tapón de polvo. (Fig. 27)

PRECAUCIÓN:

- No utilice nunca gasolina, bencina, disolvente, alcohol o similares. Podría producir descoloración, deformación o grietas.

Lave el filtro en agua jabonosa cuando esté obstruido con polvo y se reduzca la potencia del aspirador. Séquelo completamente antes de utilizarlo. Un filtro insuficientemente seco puede ocasionar una mala succión y acortar la vida de servicio del motor. (Fig. 28)

Si necesita cualquier tipo de asistencia para más detalles en relación con estos accesorios, pregunte al centro de servicio Makita local.

- Tubo de extensión (Tubo recto)
- Boquilla
- Boquilla para alfombra
- Cepillo para estanterías
- Boquilla para esquinas
- Cepillo redondo
- Manguera flexible
- Filtro
- Prefiltro
- Batería y cargador genuinos de Makita

NOTA:

- Algunos elementos de la lista podrán estar incluidos en el paquete de la herramienta como accesorios estándar. Pueden variar de un país a otro.

AVISO: Este aparelho pode ser utilizado por crianças com 8 anos e mais de idade e por pessoas com capacidades físicas, sensoriais ou mentais reduzidas ou com falta de experiência e conhecimento, se tiverem recebido supervisão ou instruções relativas à utilização segura do aparelho e conheçam os respectivos perigos. As crianças não devem brincar com o aparelho. A limpeza e manutenção pelo utilizador não devem ser realizadas por crianças sem supervisão.

Explicação geral

1 Bateria	6 Pré-filtro	11 Ranhura da caixa do aspirador
2 Botão	7 Borda de fixação	12 Bocal
3 Gatilho do interruptor	8 Filtro	13 Aspirador
4 Cápsula	9 Cabo	14 Tubo extensor
5 Bocal de sucção	10 Saliência	15 Bocal para cantos

ESPECIFICAÇÕES

Modelo	CL070D		CL100D
Capacidade	600 mL		
Utilização contínua	Aprox. 8 min.	Aprox. 12 min.	Aprox. 12 min.
Comprimento total	966 mm		
Peso líquido	0,81 kg		0,88 kg
Cartucho(s) da bateria	BL7010	BL0715	BL1013
Tensão nominal	C.C. 7,2 V		C.C. 10,8 V

• Devido ao nosso programa contínuo de pesquisa e desenvolvimento, estas especificações podem ser alteradas sem aviso prévio.

- As especificações podem variar de país para país.
- Peso, com a bateria, de acordo com o Procedimento 01/2003 da EPTA (European Power Tool Association)

ENE017-1

Utilização a que se destina

Este aspirador serve para colectar pó seco.

ENA005-5

IMPORTANTE

INSTRUÇÕES DE SEGURANÇA

Quando utiliza aparelhos eléctricos, deve-se sempre observar as precauções básicas, inclusive as seguintes:

LEIA TODAS AS INSTRUÇÕES ANTES DE UTILIZAR ESTE APARELHO.

AVISO – Para reduzir o risco de incêndio, choque eléctrico ou ferimentos:

1. Não exponha à chuva. Guarde dentro de casa.
2. Não permita que seja utilizado como brinquedo. Tenha cuidado especialmente quando o aparelho for utilizado por crianças ou próximo delas.
3. Utilize-o somente de acordo com as instruções deste manual. Utilize somente os acessórios recomendados pelo fabricante.
4. Não utilize com uma bateria danificada. Se o aparelho não funcionar correctamente, for derrubado, danificado, deixado ao ar livre ou cair na água, leve-o ao centro de assistência.
5. Não manuseie o aparelho com as mãos molhadas.
6. Não coloque nenhum objecto nas aberturas. Não o utilize com uma abertura bloqueada; mantenha-o limpo, sem poeira, pêlos, cabelos ou qualquer outra coisa que possa reduzir o fluxo de ar.
7. Mantenha os cabelos, roupas largas, dedos e outras partes do corpo afastadas das aberturas e das peças em movimento.
8. Desligue todos os controlos antes de retirar a bateria.
9. Tenha cuidado especialmente ao limpar escadas.
10. Não utilize para aspirar líquidos inflamáveis ou combustíveis, tal como gasolina, nem utilize em áreas onde esses produtos podem estar presentes.
11. Utilize somente o carregador fornecido pelo fabricante para recarregar.
12. Não utilize para aspirar algo que está a queimar ou a soltar fumo, tal como cigarros, fósforos ou cinzas quentes.

13. Não utilize sem os filtros devidamente instalados.
14. Não carregue a bateria ao ar livre.

Utilização e cuidados da ferramenta a bateria

15. **Recarregável apenas com o carregador especificado pelo fabricante.** Um carregador adequado para um tipo de pacote de bateria pode criar um risco de incêndio quando utilizado com outro pacote de bateria.
16. **Utilize ferramentas eléctricas apenas com pacotes de baterias especificamente designados.** A utilização de quaisquer outros tipos de pacotes de bateria pode criar um risco de ferimentos e incêndio.
17. **Quando o pacote da bateria não está a ser utilizado, mantenha-o afastado de outros objectos metálicos, como cliques, moedas, chaves, pregos, parafusos ou outros objectos metálicos pequenos, que possam fazer uma ligação entre os dois terminais.**
18. **Em condições abusivas, pode ser ejectado líquido da bateria; evite o contacto. Se ocorrer contacto accidental, lave com água.**

GUARDE ESTAS INSTRUÇÕES.

Este aparelho destina-se à utilização doméstica.

ENB114-3

REGRAS DE SEGURANÇA ADICIONAIS

1. Antes de utilizar o aparelho, leia cuidadosamente este manual de instruções bem como o manual do carregador.
2. Não aspire os seguintes artigos:
 - Artigos quentes, tais como cigarros acesos ou faíscas/pó de metal produzidos ao esmerilar/cortar metal
 - Materiais inflamáveis, tais como gasolina, diluentes, benzeno, querosene ou tinta
 - Materiais explosivos como nitroglicerina
 - Materiais inflamáveis ou de auto-ignição, tais como alumínio, zinco, magnésio, titânio, fósforo ou celulóide
 - Sujidade húmida, água, óleo, etc.
 - Artigos rígidos com arestas cortantes, tais como aparas de madeira, metais, pedras, vidros, pregos, pinos e lâminas de barbear
 - Pó para solidificar, como cimento ou toner
 - Pó condutivo, tal como metal ou carbono
 - Partículas minúsculas como de betão
 Isso pode provocar incêndio, ferimentos e/ou danos à propriedade.
3. Desligue o aspirador imediatamente se notar qualquer funcionamento anormal.
4. Se deixar cair ou bater o aspirador, inspeccione cuidadosamente para ver se há rachaduras ou danos antes de utilizar.
5. Não aproxime de fogões nem de outras fontes de calor.
6. Não bloqueie os orifícios de entrada e saída de ar.

GUARDE ESTAS INSTRUÇÕES.

IMPORTANTES INSTRUÇÕES DE SEGURANÇA

PARA A BATERIA

1. **Antes de utilizar a bateria, leia todas as instruções e etiquetas de precaução no (1) carregador de bateria (2) bateria e (3) produto que utiliza a bateria.**
2. Não abra a bateria.
3. Se o tempo de funcionamento se tornar excessivamente curto, pare o funcionamento imediatamente. Pode resultar em sobreaquecimento, possíveis queimaduras e mesmo explosão.
4. Se entrar electrólito nos seus olhos, lave-os com água e consulte imediatamente um médico. Pode resultar em perda de visão.
5. Não corte-circuite a bateria:
 - (1) Não toque nos terminais com qualquer material condutor.
 - (2) Evite guardar a bateria juntamente com outros objectos metálicos tais como pregos, moedas, etc.
 - (3) Não exponha a bateria à água ou chuva. Um curto-circuito pode ocasionar um enorme fluxo de corrente, sobreaquecimento, possíveis queimaduras e mesmo estragar-se.
6. Não guarde a ferramenta e a bateria em locais onde a temperatura pode atingir ou exceder 50°C.
7. Não queime a bateria mesmo que esteja estragada ou completamente gasta. A bateria pode explodir no fogo.
8. Tenha cuidado para não deixar cair ou dar pancadas na bateria.
9. Não utilize uma bateria danificada.
10. **As baterias de íões de lítio contidas estão sujeitas aos requisitos da Legislação dos Produtos Perigosos.**

Para transporte comercial, por exemplo, por terceiros, transitários, têm de ser observados requisitos especiais referentes à embalagem e etiquetagem. Para preparação do artigo a ser enviado, é necessário consultar um perito em materiais perigosos. Observe ainda os possíveis regulamentos nacionais mais detalhados.

Coloque fita-cola ou fita isoladora sobre os contactos abertos e embale a bateria de tal forma que não se possa mover dentro da embalagem.
11. **Siga os seus regulamentos locais relativos à eliminação da bateria.**

GUARDE ESTAS INSTRUÇÕES.

PRECAUÇÃO: Utilize apenas baterias Makita genuínas.

A utilização de baterias que não sejam genuínas da Makita, ou baterias que tenham sido alteradas, pode resultar no rebentamento da bateria provocando incêndios, ferimentos pessoais e danos. Anulará igualmente a garantia da ferramenta e do carregador Makita.

Conselhos para manter a máxima vida útil da bateria

1. **Carregue a bateria antes que esteja completamente descarregada. Pare sempre o funcionamento da ferramenta e carregue a bateria quando notar menos poder na ferramenta.**
2. **Nunca carregue uma bateria completamente carregada. Carregamento excessivo diminui a vida útil da bateria.**
3. **Carregue a bateria à temperatura ambiente de 10°C – 40°C. Deixe que uma bateria quente arrefeça antes de a carregar.**

DESCRIÇÃO FUNCIONAL

PRECAUÇÃO:

- Certifique-se sempre de que a ferramenta está desligada e a bateria retirada antes de regular ou verificar qualquer função na ferramenta.

Instalar ou retirar a bateria (Fig. 1)

- Desligue sempre a ferramenta antes de colocar ou retirar a bateria.
- Para retirar a bateria, tire-a da ferramenta enquanto pressiona os botões em ambos os lados da bateria.
- Para instalar a bateria, segure-a de forma que a sua parte frontal encaixe na abertura do compartimento da bateria e deslize-a no lugar. Empurre-a até o fim para que a mesma se trave com um clique. Caso contrário, a mesma poderá cair acidentalmente e causar ferimentos em você mesmo ou em alguém nas imediações.
- Não utilize força quando coloca a bateria. Se a bateria não deslizar facilmente é porque não foi colocada correctamente.

Acção do interruptor (Fig. 2)

PRECAUÇÃO:

- Antes de colocar a bateria na ferramenta, verifique que o gatilho funciona correctamente e volta para a posição “OFF” quando libertado.

Para iniciar a ferramenta, carregue simplesmente no gatilho. Liberte o gatilho para parar.

ASSEMBLAGEM

PRECAUÇÃO:

- Certifique-se sempre de que a ferramenta está desligada e a bateria retirada antes de executar qualquer manutenção na ferramenta.

Esvaziar

PRECAUÇÃO:

- Esvazie o aspirador antes que fique muito cheio, pois do contrário a força de sucção diminuirá.
- Certifique-se de limpar o pó de dentro do próprio aspirador. Se não limpar, o filtro pode ficar obstruído ou o motor pode ser danificado.

Para desalojar o pó grudado no filtro da cápsula, bata levemente com a mão na cápsula umas 4 ou 5 vezes. (Fig. 3)

Aponte o bocal de sucção para baixo, rode a cápsula no sentido da seta mostrada no diagrama e desprenda a cápsula devagar e em linha recta. (Fig. 4)

NOTA:

- Como o pó pode cair ao abrir a cápsula, lembre-se de o fazer sobre uma lata de lixo.

Retire o pó acumulado dentro da cápsula e no pré-filtro. (Fig. 5)

Rode o pré-filtro no sentido da seta para desapertar a borda de fixação do aspirador e retire o pré-filtro. (Fig. 6)
Limpe o pó fino do pré-filtro. Em seguida, remova o filtro e bata-o de leve para desalojar o pó. (Fig. 7)

Montagem

Instale o filtro correctamente no aspirador de pó. (Fig. 8)

NOTA:

- Assegure-se de que o filtro seja instalado direito, sem ficar dobrado para trás. Se o filtro for instalado incorrectamente, como ilustrado no diagrama, o pó entrará na caixa do motor e provocará a falha do motor. (Fig. 9)

Instale o pré-filtro. Rode o pré-filtro de forma que a borda de fixação se trave com firmeza no aspirador de pó. (Fig. 10 e 11)

Instale a cápsula. Alinhe a saliência na cápsula com a saliência no cabo e rode a cápsula com firmeza no sentido da seta até prender. (Fig. 12 e 13)

NOTA:

- Limpe o pó frequentemente, pois a capacidade de sucção será reduzida se houver muito pó no aspirador.
- Antes de utilizar o aspirador, verifique sempre se ambos o filtro e o pré-filtro estão instalados correctamente. Se forem instalados incorrectamente, entrará pó na caixa do motor e provocará a falha do motor. Se ocorrer os problemas seguintes, significa que o filtro e pré-filtro não estão instalados correctamente. Instale-os correctamente para resolver o problema.

Exemplos de problemas

Exemplo 1: Foi instalado apenas o pré-filtro (sem o filtro) (Fig. 14)

Exemplo 2: Foi instalado apenas o filtro (sem o pré-filtro) (Fig. 15)

Exemplo 3: O filtro foi instalado dobrado para trás (Fig. 16)

Exemplo 4: A borda de fixação do pré-filtro não está travada firmemente na ranhura da caixa do aspirador. (Fig. 17)

FUNCIONAMENTO

PRECAUÇÃO:

- Para instalar os acessórios, tal como o bocal, coloque e gire o acessório no sentido da seta para que fique seguro durante a utilização. Para retirar o acessório, desenrosque-o no sentido da seta.
Se rodar o acessório no sentido oposto ao ser instalado ou retirado, a cápsula pode se soltar. (Fig. 18)
- **Mantenha as pontas do cabelo, cachecóis, lenços, etc. afastados dos ventiladores de escape.** Podem ficar presos no motor e provocar ferimentos. (Fig. 19)

Limpeza (Sucção)

Bocal (Fig. 20)

Instale o bocal para limpar mesas, secretárias, móveis, etc. O bocal encaixa com facilidade.

Bocal + tubo extensor (tubo recto) (Fig. 21)

O tubo extensor é conectado entre o bocal e o aspirador. Este arranjo é conveniente para manter uma boa postura ao fazer a limpeza de solos.

Bocal para cantos (Fig. 22)

Encaixe o bocal para cantos para limpeza de cantos e frestas de carros ou móveis.

Bocal para cantos + tubo extensor (tubo recto) (Fig. 23)

Utilize este arranjo para limpar em locais estreitos onde o aspirador não entra ou em locais altos.

Limpeza sem o bocal (Fig. 24)

É possível fazer a aspiração de pó sem o bocal.

MANUTENÇÃO

PRECAUÇÃO:

- Certifique-se sempre de que o aspirador esteja desligado antes de executar qualquer inspeção ou manutenção no mesmo.

Pontos a verificar antes de solicitar assistência técnica

Sintoma	Área a verificar	O que fazer
Potência de sucção fraca	<ul style="list-style-type: none">• A cápsula está cheia de pó?• O filtro está obstruído?• A bateria está descarregada?	<ul style="list-style-type: none">• Esvazie a cápsula.• Retire o pó ou lave o filtro.• Recarregue a bateria.
Não funciona.	<ul style="list-style-type: none">• A bateria está descarregada?	<ul style="list-style-type: none">• Recarregue a bateria.

010051

NOTA:

- Não tente consertar o aspirador.

Para manter a SEGURANÇA e FIABILIDADE, as reparações e outras acções de manutenção ou ajustes devem ser executados pelos Centros de assistência autorizados da Makita, utilizando sempre peças de substituição Makita.

ACESSÓRIOS OPCIONAIS

PRECAUÇÃO:

- Estes acessórios ou conectores são recomendados para a utilização com o seu aspirador Makita especificado neste manual. A utilização de qualquer outro acessório ou conector pode apresentar riscos de ferimentos pessoais. Utilize o acessório ou conector apenas para o fim a que se destina.

Se desejar informações detalhadas acerca desses acessórios, solicite ao centro de assistência técnica Makita local.

- Tubo extensor (tubo recto)
- Bocal
- Bocal para tapete
- Escova para prateleiras
- Bocal para cantos
- Escova redonda
- Mangueira flexível
- Filtro
- Pré-filtro
- Bateria e carregador genuínos da Makita

Depois de utilizar (Fig. 25 e 26)

Quando guardar o aspirador, bloqueie a cabeça do bocal e pendure-a num gancho disponível no mercado.

PRECAUÇÃO:

- Encostar o aspirador à parede sem um gancho pode fazer o aspirador cair e danificar-se.

Limpeza

Limpe periodicamente o exterior do aspirador (armação) com um pano humedecido em água e sabão. Limpe também a abertura de sucção, área de instalação do coletor de pó/saco de papel e o protector de pó. (Fig. 27)

PRECAUÇÃO:

- Nunca utilize gasolina, benzina, diluente, álcool ou produtos semelhantes. Pode ocorrer a descoloração, deformação ou rachaduras.

Lave o filtro em água e sabão quando estiver obstruído com pó e quando houver redução da potência. Seque-o completamente antes de utilizar. Um filtro que não esteja bem seco pode prejudicar a sucção e diminuir a vida útil do motor. (Fig. 28)

NOTA:

- Alguns itens da lista podem estar incluídos na embalagem da ferramenta como acessórios padrão. Eles podem variar de país para país.

ADVARSEL: Denne maskine kan bruges af børn på 8 år og derover og af personer med nedsatte fysiske, sensoriske eller mentale evner eller manglende erfaring eller viden, hvis de er under opsyn eller har modtaget instruktion i sikker anvendelse af maskinen og forstår de farer, der er involveret. Børn må ikke lege med maskinen. Rengøring og brugervedligeholdelse må ikke udføres af børn, der ikke er under opsyn.

Illustrationsoversigt

1 Akku	6 Forfilter	11 Rille i støvsugeren
2 Knap	7 Sikkerhedskant	12 Mundstykke
3 Afbryderknap	8 Filter	13 Støvsuger
4 Kapsel	9 Håndtag	14 Forlængerstav
5 Indsugning	10 Fremspring	15 Hjørnemundstykke

SPECIFIKATIONER

Model	CL070D		CL100D
Kapacitet	600 mL		
Kontinuerlig anvendelse	Ca. 8 min.	Ca. 12 min.	Ca. 12 min.
Længde i alt	966 mm		
Nettovægt	0,81 kg		0,88 kg
Akku(er)	BL7010	BL0715	BL1013
Mærkespænding	D.C. 7,2 V		D.C. 10,8 V

- På grund af vores kontinuerlige forskningsprogrammer og udvikling, kan hosstående specifikationer blive ændret uden varsel.
- Specifikationerne kan variere fra land til land.
- Vægt inklusive akku, i henhold til EPTA-Procedure 01/2003

ENE017-1

Korrekt anvendelse

Denne støvsuger er beregnet til opsugning af tørt støv.

ENA005-5

VIGTIGT

SIKKERHEDSFORSKRIFTER

Når et elektrisk apparat anvendes, bør de elementære sikkerhedsregler altid følges, inklusive følgende:

LÆS ALLE INSTRUKTIONER INDEN DETTE APPARAT TAGES IBRUG.

ADVARSEL – Risikoen for brand, elektrisk stød og tilskadekomst kan reduceres ved at man iagttager følgende:

1. Udsæt ikke støvsugeren for regn. Opbevar støvsugeren inden døre.

2. Støvsugeren må ikke anvendes som legetøj. Nøje overvågning er nødvendig, hvis støvsugeren anvendes af eller i nærheden af børn.
3. Anvend kun støvsugeren som beskrevet i denne brugsvejledning. Anvend kun tilbehørsdele, som anbefales af fabrikanten.
4. Anvend ikke støvsugeren med et beskadiget batteri. Hvis støvsugeren ikke virker som den skal, er blevet tabt, efterladt uden døre eller har været under vand, skal den indleveres til et service-center til eftersyn.
5. Rør ikke ved støvsugeren med våde hænder.
6. Stik ikke nogen genstande ind i åbningerne. Anvend ikke støvsugeren med blokerede åbninger. Hold den fri for støv, fnug, hår og alt hvad der kan hindre luftstrømmen.
7. Hold hår, løse bekædningsgenstande og alle kropsdele på god afstand af åbningerne og de bevægende dele.
8. Deaktiver alle kontroller, inden batteriet tages ud.
9. Udvis ekstra forsigtighed ved rengøring på trapper.
10. Anvend ikke støvsugeren til at opsuge antændelige eller brændbare væsker, som for eksempel benzin, og anvend ikke støvsugeren på steder, hvor disse væsker kan forefindes.
11. Anvend kun den oplader, som leveres af fabrikanten til genoplading.

12. Opsug ikke noget, som brænder eller ryger, som for eksempel cigaretter, tændstikker eller varm aske.
13. Anvend ikke støvsugeren uden at filtrene er sat på plads.
14. Oplad ikke batteriet uden døre.

Brug og vedligeholdelse af akku-værktøj

15. Oplad kun med en oplader, der er specificeret af fabrikanten. En oplader, der er egnet til en type akku, kan udgøre en risiko for brand, hvis den anvendes med en anden type akku.
16. Brug kun el-værktøj med specielt beregnede akkuer. Brug af nogen andre akku-typer, kan udgøre en risiko for tilskadekomst og brand.
17. Når akkuen ikke er i brug, skal den holdes borte fra andre metalgenstande, som f.eks. papirkliips, mønter, søm, skruer eller andre mindre metalgenstande, der kan udgøre en forbindelse fra en terminal til en anden.
18. Ved misbrug kan elektrolyt komme ud af akkuen. Undgå kontakt. Hvis der opstår kontakt ved et uheld, skal der skylles med vand.

GEM DISSE FORSKRIFTER.

Denne støvsuger er beregnet til husholdningsbrug.

ENB114-3

SUPPLERENDE SIKKERHEDSREGLER

1. Læs denne brugsvejledning og instruktionerne for opladning grundigt inden brugen.
2. Undlad at samle de følgende materialer op:
 - Varme materialer, som for eksempel tændte cigaretter eller gnister/metalstøv, som er frembragt ved slibning/skæring af metal
 - Brændbare materialer som for eksempel benzin, fortynder, rensbenzin, petroleum og maling
 - Eksplosive materialer som for eksempel nitroglycerin
 - Antændelige materialer som for eksempel aluminium, zink, magnesium, titan, fosfor eller celluloid
 - Vådt snavs, vand, olie og lignende
 - Hårde genstande med skarpe kanter, som for eksempel træspåner, metal, sten, glas, knappenåle søm og barberblade
 - Pulver, der størkner, som for eksempel cement og toner
 - Ledende støv som for eksempel metal eller kulfiber
 - Fine partikler som for eksempel betonstøv
 Dette kan være årsag til brand, tilskadekomst og/eller materiel skade.
3. Hold øjeblikkeligt op med at anvende støvsugeren, hvis noget unormalt registreres.
4. Hvis De kommer til at tabe eller støde til støvsugeren, skal De omhyggeligt efterse den for revner eller anden beskadigelse inden brugen.
5. Hold støvsugeren på god afstand af ovne og andre varmekilder.
6. Undlad at blokere indsuigningsåbningen og ventilationshullerne.

GEM DISSE FORSKRIFTER.

VIGTIGE SIKKERHEDSFORSKRIFTER

FOR AKKU

1. Læs alle instruktioner og advarselmærkater på (1) akku opladeren, (2) akku og (3) produktet, som anvender akku.
2. Lad være med at skille akkuen ad.
3. Hold straks op med at anvende opladeren, hvis brugstiden er blevet stærkt afkortet. Fortsat anvendelse kan resultere i risiko for overophedning, forbrændinger og endog eksplosion.
4. Hvis du har fået elektrolytvæske i øjnene, skal du straks skylle den ud med rent vand og derefter øjeblikkeligt søge lægehjælp. I modsat fald kan resultatet blive, at du mister synet.
5. Vær påpasselig med ikke at komme til at kortslutte akkuen:
 - (1) Rør ikke ved terminalerne med noget ledende materiale.
 - (2) Undgå at opbevare akkuen i en beholder sammen med andre genstande af metal, som for eksempel søm, mønter og lignende.
 - (3) Udsæt ikke akkuen for vand eller regn. Kortslutning af akkuen kan være årsag til en kraftig øgning af strømmen, overophedning, mulige forbrændinger og endog maskinstop.
6. Opbevar ikke værktøj og akkuen på et sted, hvor temperaturen kan nå eller overstige 50°C.
7. Lad være med at brænde akkuen, selv ikke i tilfælde, hvor det har lidt alvorlig skade eller er fuldstændigt udtjent. Akkuen kan eksplodere, hvis man forsøger at brænde den.
8. Lad være med at brænde akkuen eller udsætte det for stød.
9. Anvend ikke en beskadiget akku.
10. De indeholdte lithium-ion akkuer er underkastet lovgivningskravene for farlige artikler.

Angående kommercielle transporter f.eks. af tredje-part, speditorer, skal specielle krav om emballage og etikettering overholdes.

Angående forberedelse af den artikel, der forsendes, kræves det, at en ekspert i farligt materiale konsulteres. Overhold desuden også evt. mere detaljerede, nationale regulativer.

Tape eller tildæk åbne kontakter og anbring akkuen på en sådan måde, at den ikke kan bevæge sig omkring i emballagen.
11. Følg de lokale regler angående bortskaffelse af akkuer.

GEM DISSE FORSKRIFTER.

FORSIGTIG: Brug kun originale Makita-akkuer.

Brug af ikke-originale Makita-akkuer eller akkuer, som er blevet ændret, kan resultere i akku-eksplosion med brand, personskade og beskadigelse til følge. Det vil ligeledes ugyldiggøre Makita-garantien for Makitamaskinen og opladeren.

Tips til opnåelse af maksimal akku-levetid

1. Oplad altid akkuen, inden den er helt afladet. Stop altid værktøj og oplad akkuen, hvis det bemærkes, at maskineffekten er dalende.
2. Genoplad aldrig en fuldt opladet akku. Overopladning vil afkorte akkuens levetid.

3. **Oplad akkuen ved stuetemperatur ved 10°C – 40°C. Lad altid en varm akku få tid til at køle af, inden den oplades.**

FUNKTIONSBESKRIVELSE

FORSIGTIG:

- Sørg altid for at maskinen er slukket, og at akkuen er taget ud, før der udføres justering eller kontrol af funktioner på maskinen.

Isætning og udtagning af akku (Fig. 1)

- Sluk altid for maskinen, før akkuen sættes i eller tages ud.
- For at fjerne akkuen trykkes samtidigt på knapperne på begge sider af akkuen, mens denne trækkes ud af maskinen.
- Akkuen sættes i ved at man holder den, så akkuens forreste del passer ind i batteri-installationens åbning og derefter skubber den ind. Sæt den altid helt ind, så den låses på plads med et lille klik. Hvis den ikke gør det, kan den ved et uheld falde ud af maskinen, hvorved omkringstående eller De selv kan komme til skade.
- Brug aldrig magt, når akkuen sættes i. Hvis ikke akkuen glider i uden besvær, er det fordi, at den vender forkert.

Afbryderbetjening (Fig. 2)

FORSIGTIG:

- Inden akkuen sættes i maskinen, bør De altid kontrollere, at afbryderen fungerer korrekt og returnerer til "OFF" positionen, når den slippes.

For at starte maskinen trykkes der blot på afbryderen. Slip afbryderen for at stoppe.

SAMLING

FORSIGTIG:

- Sørg altid for at maskinen er slukket, og at akkuen er taget ud, før der udføres noget arbejde på maskinen.

Bortskaffelse af støv

FORSIGTIG:

- Tøm støvsugeren, inde den bliver for fuld ellers formindskes sugekraften.
- Husk altid at fjerne støvet inde i selve støvsugeren. Hvis dette ikke gøres, kan filteret blive tilstoppet eller motoren lide skade.

For ikke at tabe støv, der sidder fast på filteret i kapslen, skal man banke 4 eller 5 gange på det med hånden. (Fig. 3)

Ret nu indsigningen nedad, drej kapslen i retningen vist med pilen og tag kapslen langsomt og lige af. (Fig. 4)

BEMÆRK:

- Der kan komme støv ud, når kapslen åbnes, så sørg for at anbringe affaldsposen under kapslen.

Fjern opsamlet støv fra indersiden af kapslen og fra forfilteret. (Fig. 5)

Drej forfilteret i retningen vist med pilen for at frigøre sikkerhedskanten fra støvsugeren og træk derefter forfilteret af. (Fig. 6)

Fjern det fine støv fra forfilteret. Tag derefter filteret af og bank let for at frigøre støvet. (Fig. 7)

Genmontering

Sæt filteret på, så det sidder helt på plads på støvsugeren. (Fig. 8)

BEMÆRK:

- Sørg for, at filteret sættes lige på uden at det foldes tilbage. Hvis filteret sættes forkert på som vist på illustrationen, vil der trænge støv ind i motorhuset, hvilket vil bevirke, at motoren ikke fungerer. (Fig. 9)

Sæt forfilteret på. Sørg på dette tidspunkt for dreje forfilteret, så dets sikkerhedskant sidder godt fast på støvsugeren. (Fig. 10 og 11)

Sæt kapslen på. Sæt symbolet O på kapslen ud for symbolet O på håndtaget og drej derefter kapslen godt i retningen vist med pilen, indtil den sidder fast. (Fig. 12 og 13)

BEMÆRK:

- Fjern altid støv i tide, da sugekraften vil blive reduceret, hvis der er for meget støv i støvsugeren.
- Sørg altid for at kontrollere, at både filter og forfilter er sat korrekt i inden støvsugeren anvendes. Hvis filtrerne ikke er sat korrekt i, vil der trænge støv ind i motorhuset, hvilket vil bevirke, at motoren ikke fungerer. Hvis de følgende eksempler opstår, er filteret og forfilteret ikke sat korrekt i. Sæt dem korrekt i for at udbedre problemet.

Eksempler på problemer

Eksempel 1: Kun forfilteret er sat i (intet filter) (Fig. 14)

Eksempel 2: Kun filteret er sat i (intet forfilter) (Fig. 15)

Eksempel 3: Filteret er isat i en tilbagefoldet tilstand. (Fig. 16)

Eksempel 4: Forfilterets sikkerhedskant sidder ikke ordentlig fast i rillen på støvsugeren. (Fig. 17)

ANVENDELSE

FORSIGTIG:

- For at tilslutte tilbehørsdele, som for eksempel mundstykket, skal man dreje og isætte tilbehørsdelen i retningen vist med pilen for at sikre, at den sidder fast under brugen. For at frigøre tilbehørsdelen, skal man ligeledes dreje og udtrække delen i retningen vist med pilen. Hvis tilbehørsdelen drejes i den modsatte retning, når den tilsluttes eller frigøres, kan kapslen gå løs. (Fig. 18)
- **Hold enderne af dit hår, tørklæde, sjal osv. væk fra udstødningsåbningerne.** De kan blive viklet ind i motoren og forårsage personskade. (Fig. 19)

Rengøring (sugning)

Mundstykke (Fig. 20)

Sæt mundstykket på, når De vil rengøre borde, skriveborde, møbler og lignende. Mundstykket sættes nemt på.

Mundstykke + forlængerstav (lige rør) (Fig. 21)

Forlængerstaven kan sættes ind mellem mundstykket og selve støvsugeren. Dette arrangement er bekvemt ved rengøring af et gulv, så man ikke behøver bøje sig under støvsugning.

Hjørnemundstykke (Fig. 22)

Monter hjørnemundstykket til rengøring af hjørner og sprækker i en bil eller møbler.

Hjørnemundstykke + forlængerstav (lige rør) (Fig. 23)

Anvend dette arrangement på trange steder, hvor selve støvsugeren ikke kan komme ind, eller i højden, hvor det er svært at nå op.

Rengøring uden mundstykke (Fig. 24)

Det er muligt at opsamle pulver og støv uden anvendelse af et mundstykke.

VEDLIGEHOLDELSE

FORSIGTIG:

- Sørg altid for, at der er slukket for støvsugeren, inden inspektion eller vedligeholdelse påbegyndes.

Efter brug (Fig. 25 og 26)

Når støvsugeren opbevares, skal mundstykkehovedet låses, og den skal hænges på en krog, som kan fås i handelen.

FORSIGTIG:

- Hvis støvsugeren anbringes mod en væg uden en krog, kan den vælte og lide skade.

Ting, der skal kontrolleres, inden man bestiller reparation

Symptom	Del, der skal undersøges	Fastgørelsesmetode
Svag sugekraft	<ul style="list-style-type: none">• Er kapslen fuld af støv?• Er filteret tilstoppet?• Er batteriet udtjent?	<ul style="list-style-type: none">• Udtøm støv fra kapslen.• Støv filteret af eller vask det.• Oplad batteriet.
Fungerer ikke	<ul style="list-style-type: none">• Er batteriet udtjent?	<ul style="list-style-type: none">• Oplad batteriet.

010051

BEMÆRK:

- Forsøg ikke selv at reparere støvsugeren.

For at opretholde produktets SIKKERHED og PÅLIDELIGHED bør reparation, vedligeholdelse og justering kun udføres af et Makita Service Center med anvendelse af originale Makita udskiftingsdele.

EKSTRAUDSTYR

FORSIGTIG:

- Dette ekstraudstyr eller tilbehør anbefales til brug med Deres Makita-maskine, som specificeret i denne manual. Anvendelse af andet ekstraudstyr eller andre tilbehørsdele kan udgøre en risiko for personskade. Anvend kun ekstraudstyr eller tilbehørsdele til det beregnede formål.

Henvend Dem gerne til det lokale Makita-servicecenter, hvis De har behov for hjælp med hensyn til flere detaljer om disse tilbehørsdele.

- Forlængerstav (lige rør)
- Mundstykke
- Mundstykke til støvsugning af tæppe
- Børste til støvsugning af hylder
- Hjørnemundstykke
- Rund børste
- Fleksibel slange
- Filter
- Forfilter
- Original Makita-akku og oplader

BEMÆRK:

- Nogle ting på denne liste kan være inkluderet i værktøjspakken som standardtilbehør. Det kan være forskellige fra land til land.

Rengøring

Af tør fra tid til anden ydersiden (støvsugerens ydre) af støvsugeren med en klud, som er fugtet med sæbevand. Rengør også sugeåbningen, støvposens/papirpakkens monteringsdel og støvstopperen. (Fig. 27)

FORSIGTIG:

- Anvend aldrig benzin, rensbenzin, fortynder, alkohol og lignende. Resultatet kan blive misfarvning, deformation eller revner.

Vask filtret med sæbevand, hvis den er tilstoppet af støv og støvsugerens kraft er formindsket. Tør den grundigt inden ibrugtagning. Et utilstrækkeligt tørt filter kan give dårlig sugning og afkorte motorens levetid. (Fig. 28)

ΠΡΟΕΙΔΟΠΟΙΗΣΗ: Η συσκευή αυτή μπορεί να χρησιμοποιηθεί από παιδιά άνω των 8 ετών και άτομα με μειωμένες σωματικές, αισθητήριες ή διανοητικές ικανότητες ή που δεν έχουν πείρα και γνώσεις, εάν επιτηρούνται ή τους έχουν δοθεί οδηγίες για την ασφαλή χρήση της συσκευής και κατανοούν τους κινδύνους που εμπλέκονται. Τα παιδιά δεν πρέπει να παίζουν με τη συσκευή. Οι εργασίες καθαρισμού και συντήρησης από το χρήστη δεν θα πρέπει να γίνονται από παιδιά χωρίς επιτήρηση.

Περιγραφή γενικής άποψης

1 Κασέτα μπαταρίας	7 Χείλος ασφάλισης	12 Ακροφύσιο
2 Κουμπί	8 Φίλτρο	13 Ηλεκτρικό σκουπάκι
3 Σκανδάλη διακόπτης	9 Λαβή	14 Ράβδος προέκτασης
4 Κάψουλα	10 Προεξοχή	15 Ακροφύσιο γωνιών
5 Εισαγωγή αναρόφησης	11 Αύλακα περιβλήματος σκούπας	
6 Προφίλτρο		

ΤΕΧΝΙΚΑ ΧΑΡΑΚΤΗΡΙΣΤΙΚΑ

Μοντέλο	CL070D		CL100D
Χωρητικότητα	600 mL		
Συνεχής χρήση	Περίπου 8 λεπτά	Περίπου 12 λεπτά	Περίπου 12 λεπτά
Συνολικό μήκος	966 mm		
Καθαρό βάρος	0,81 kg		0,88 kg
Κασέτα(ες) μπαταρίας	BL7010	BL0715	BL1013
Ονομαστική τάση	DC 7,2 V		DC 10,8 V

- Λόγω της συνέχισης του προγράμματός μας έρευνας και ανάπτυξης, οι εν λόγω προδιαγραφές υπόκεινται σε αλλαγές χωρίς προειδοποίηση.
- Οι προδιαγραφές ενδέχεται να διαφέρουν από χώρα σε χώρα.
- Βάρος, με κασέτα μπαταρίας, σύμφωνα με τη διαδικασία EPTA 01/2003

ENE017-1

Προοριζόμενη χρήση

Το εργαλείο προορίζεται για τη συλλογή ξηρής σκόνης.

ENA005-5

ΣΗΜΑΝΤΙΚΟ

ΟΔΗΓΙΕΣ ΑΣΦΑΛΕΙΑΣ

Κατά τη χρήση μιας ηλεκτρικής συσκευής, θα πρέπει να τηρούνται πάντα οι βασικές προφυλάξεις, συμπεριλαμβανομένων των ακολούθων:

ΔΙΑΒΑΣΤΕ ΟΛΕΣ ΤΙΣ ΟΔΗΓΙΕΣ ΠΡΙΝ ΑΠΟ ΤΗ ΧΡΗΣΗ ΑΥΤΗΣ ΤΗΣ ΣΥΣΚΕΥΗΣ.

ΠΡΟΕΙΔΟΠΟΙΗΣΗ – Προς μείωση του κινδύνου πυρκαγιάς, ηλεκτροπληξίας ή τραυματισμού:

1. **Να μην εκτίθεται σε βροχή. Να φυλάσσεται σε εσωτερικό χώρο.**
2. **Δεν επιτρέπεται η χρήση της ως παιχνίδι. Απαιτείται ιδιαίτερη προσοχή κατά τη χρήση από ή κοντά σε παιδιά.**
3. **Να χρησιμοποιείται μόνο σύμφωνα με τις οδηγίες του παρόντος εγχειριδίου. Να χρησιμοποιούνται μόνο τα παρελκόμενα που συνιστά ο κατασκευαστής.**
4. **Να μη χρησιμοποιείται με μπαταρία που έχει υποστεί βλάβη. Εάν η συσκευή δεν λειτουργεί όπως θα έπρεπε, έχει υποστεί πτώση ή βλάβη, έχει αφεθεί σε εξωτερικό χώρο ή έχει πέσει μέσα σε νερό, να επιστραφεί σε κέντρο σέρβις. Μη χειρίζεστε τη συσκευή με βρεγμένα χέρια.**
5. **Μην τοποθετείτε κανένα αντικείμενο μέσα στις σπές. Μη την χρησιμοποιείτε εάν παρουσιαστεί έμφραξη κάποιου ανοίγματος, να την διατηρείτε χωρίς ίχνη σκόνης, χνούδια, τρίχες και οτιδήποτε ενδέχεται να προκαλέσει μείωση της ροής του αέρα.**

7. Φροντίστε ώστε να μην πλησιάζετε τις οπές και τα κινούμενα εξαρτήματα της συσκευής σε μαλλιά, χαλαρά είδη ρουχισμού, δάχτυλα και όλα τα μέρη του σώματος.
8. Να απενεργοποιείτε όλα τα στοιχεία ελέγχου πριν από την αφαίρεση της μπαταρίας.
9. Να προσέχετε ιδιαίτερα, όταν καθαρίζετε σκαλοπάτια.
10. Να μη χρησιμοποιείται για τη συλλογή εύφλεκτων ή καύσιμων υγρών, όπως βενζίνη, ή να χρησιμοποιείται σε χώρους παρουσία αυτών.
11. Για επαναφόρτιση, να χρησιμοποιείται μόνο ο φορτιστής που παρέχεται από τον κατασκευαστή.
12. Να μη χρησιμοποιείται για τη συλλογή οποιουδήποτε αντικειμένου καίγεται ή αναδίδει καπνό, όπως τσιγάρα, σπίρτα ή θερμές στάχτες.
13. Να μη χρησιμοποιείται χωρίς τη χρήση φίλτρων.
14. Μη φορτίζετε τη μπαταρία σε εξωτερικό χώρο.

Χρήση και φροντίδα μπαταρίας

15. Να επαναφορτίζετε τις μπαταρίες μόνο με το φορτιστή που καθορίζεται από τον κατασκευαστή. Ένας φορτιστής που είναι κατάλληλος για μια συγκεκριμένη μπαταρία μπορεί να δημιουργήσει κίνδυνο πυρκαγιάς όταν χρησιμοποιείται με μια άλλη μπαταρία.
16. Να χρησιμοποιείτε ηλεκτρικά εργαλεία μόνο με ειδικά καθορισμένες μπαταρίες. Η χρήση κάθε άλλης μπαταρίας μπορεί να δημιουργήσει κίνδυνο τραυματισμού ή πυρκαγιάς.
17. Όταν δεν χρησιμοποιείται η κασέτα μπαταρίας, διατηρήστε τη μακριά από άλλα μεταλλικά αντικείμενα, όπως συνδετήρες, κέρματα, κλειδιά, καρφιά, βίδες ή άλλα μικρά μεταλλικά αντικείμενα, με τα οποία μπορεί να δημιουργηθεί σύνδεση από τον έναν ακροδέκτη στον άλλον.
18. Υπό συνθήκες κατάχρησης, μπορεί να εξαχθεί υγρό από την μπαταρία. Να αποφεύγετε την επαφή. Αν συμβεί επαφή κατά λάθος, εκπλύνετε με νερό.

ΦΥΛΑΞΤΕ ΤΙΣ ΟΔΗΓΙΕΣ ΑΥΤΕΣ.

Η συσκευή αυτή προορίζεται για οικιακή χρήση.

ENB114-3

ΕΠΙΠΛΕΟΝ ΚΑΝΟΝΕΣ ΑΣΦΑΛΕΙΑΣ

1. Διαβάστε προσεκτικά το παρόν εγχειρίδιο χρήσης όπως και το εγχειρίδιο χρήσης του φορτιστή πριν από τη χρήση.
2. Μην τα ακόλουθα υλικά:
 - Καυτά υλικά όπως αναμμένα τσιγάρα ή μεταλλική σκόνη/ρινίσματα που παράγονται από λείανση/κοπή μετάλλων
 - Ευφλεκτα υλικά όπως βενζίνη, διαλυτικό, πετρελαιοί αιθέρα, κηροζίνη ή χρώματα
 - Εκρηκτικά υλικά όπως νιτρογλυκερίνη
 - Αναφλέξιμα υλικά όπως αλουμίνιο, ψευδάργυρο, μαγνήσιο, τιτάνιο, φώσφορο ή κινηματογραφικό φιλμ
 - Υγρές ακαθαρσίες, νερό, έλαιο ή παρόμοιες ουσίες
 - Διχμηρά τεμάχια σκληρών υλικών, όπως ροκανίδια, μέταλλα, πέτρες, γυαλιά, καρφιά, πινέζες ή ξυραφάκια

- Σκόνη η οποία σβωλιάζει όπως το τσιμέντο ή το τόνερ
- Αγώγιμη σκόνη όπως μετάλλου ή άνθρακα
- Μικρά σωματίδια όπως σκόνη σκουροδέματος

Αυτή η ενέργεια ενδέχεται να προκαλέσει πυρκαγιά, τραυματισμό ή/και ζημία στην σε περιουσιακά στοιχεία.

3. Διακόψτε τη λειτουργία αμέσως, μόλις παρατηρήσετε οτιδήποτε μη φυσιολογικό.
4. Σε περίπτωση που το ηλεκτρικό σκουπάκι υποστεί πτώση ή κτύπημα, ελέγξτε το προσεκτικά για ρωγμές ή βλάβη πριν από τη λειτουργία.
5. Μην πλησιάζετε σε θερμάστρες ή άλλες πηγές θερμότητας.
6. Μη φράσετε την οπή εισαγωγής ή τις οπές αερισμού.

ΦΥΛΑΞΤΕ ΤΙΣ ΟΔΗΓΙΕΣ ΑΥΤΕΣ.

ENC009-4

ΣΗΜΑΝΤΙΚΕΣ ΟΔΗΓΙΕΣ ΑΣΦΑΛΕΙΑΣ

ΓΙΑ ΚΑΣΕΤΑ ΜΠΑΤΑΡΙΑΣ

1. Πριν χρησιμοποιήσετε την κασέτα μπαταρίας, διαβάστε όλες τις οδηγίες και σημειώσεις προφύλαξης (1) στον φορτιστή μπαταρίας, (2) στην μπαταρία και (3) στο προϊόν που χρησιμοποιεί την μπαταρία.
2. Μην απουναρμολογήσετε την κασέτα μπαταρίας.
3. Εάν ο χρόνος λειτουργίας έχει γίνει υπερβολικά βραχύς, σταματήστε την λειτουργία αμέσως. Αλλιώς, μπορεί να έχει ως αποτέλεσμα κίνδυνο υπερθέρμανσης, πιθανά εγκαύματα ή ακόμη και έκρηξη.
4. Εάν ηλεκτρολύτης μπει στα μάτια σας, ξεπλύνετε τα με καθαρό νερό και ζητήστε ιατρική φροντίδα αμέσως. Αλλιώς, μπορεί να έχει ως αποτέλεσμα απώλεια της όρασης σας.
5. Μη βραχυκυκλώνετε την κασέτα μπαταρίας:
 - (1) Μην αγγίζετε τους πόλους με οτιδήποτε αγώγιμο υλικό.
 - (2) Αποφεύγετε να αποθηκεύετε την κασέτα μπαταρίας μέσα σε ένα δοχείο μαζί με άλλα μεταλλικά αντικείμενα όπως καρφιά, νομίσματα, κλπ.
 - (3) Μην εκθέτε την κασέτα μπαταρίας στο νερό ή στη βροχή.
 Ένα βραχυκύκλωμα μπαταρίας μπορεί να προκαλέσει μεγάλη ροή ρεύματος, υπερθέρμανση, πιθανά εγκαύματα ακόμη και σοβαρή βλάβη.
6. Μην αποθηκεύετε το εργαλείο και την κασέτα μπαταρίας σε τοποθεσίες όπου η θερμοκρασία μπορεί να φτάσει ή να ξεπεράσει τους 50°C.
7. Μη καίτε την κασέτα μπαταρίας ακόμη και εάν έχει σοβαρή ζημιά ή είναι εντελώς φθαρμένη. Η κασέτα μπαταρίας μπορεί να εκραγεί στην φωτιά.
8. Προσέχετε να μη ρίξετε κάτω ή χτυπήσετε την μπαταρία.
9. Μην χρησιμοποιείτε μπαταρία που έχει υποστεί ζημία.

10. Οι μπαταρίες ιόντων λιθίου που περιέχονται υπόκεινται στις απαιτήσεις της νομοθεσίας σχετικά με επικίνδυνα αγαθά.

Για εμπορικές μεταφορές, π.χ. από τρίτα μέρη, πρακτορεία διαμετακόμισης, πρέπει να τηρηθούν οι ειδικές απαιτήσεις στη συσκευασία και την επισήμανση.

Για προετοιμασία του αντικειμένου που αποστέλλεται, απαιτείται να συμβουλευτείτε έναν ειδικό για επικίνδυνα υλικά. Επίσης, τηρήστε τους εθνικούς κανονισμούς που πιθανώς να είναι πιο λεπτομερείς.

Καλύψτε τις ανοικτές επαφές με αυτοκόλλητη ταινία ή άλλο μέσο και συσκευάστε την μπαταρία με τρόπο ώστε να μην μπορεί να μετακινείται μέσα στη συσκευασία.

11. Τηρήστε τους τοπικούς κανονισμούς που σχετίζονται με τη διάθεση της μπαταρίας.

ΦΥΛΑΞΤΕ ΤΙΣ ΟΔΗΓΙΕΣ ΑΥΤΕΣ.

ΠΡΟΣΟΧΗ: Να χρησιμοποιείτε μόνο γνήσιες μπαταρίες Makita.

Η χρήση μη γνήσιων μπαταριών Makita, ή μπαταριών που έχουν τροποποιηθεί, μπορεί να έχει ως αποτέλεσμα την έκρηξη της μπαταρίας και τη συνεπακόλουθη πρόκληση πυρκαγιών, προσωπικού τραυματισμού και ζημιάς. Θα ακυρώσει επίσης την εγγύηση Makita για το εργαλείο και τον φορτιστή Makita.

Συμβουλές για διατήρηση μέγιστης ζωής μπαταρίας

1. Φορτίζετε την κασέτα μπαταρίας πριν από την πλήρη αποφόρτιση της. Πάντοτε σταματάτε την λειτουργία του εργαλείου και φορτίζετε την κασέτα μπαταρίας όταν παρατηρήσετε μειωμένη ισχύ εργαλείου.
2. Ποτέ μην επαναφορτίζετε μία πλήρως φορτισμένη κασέτα μπαταρίας. Υπερφόρτιση μειώνει την ωφέλιμη ζωή της μπαταρίας.
3. Φορτίζετε την κασέτα μπαταρίας σε θερμοκρασία δωματίου 10°C – 40°C. Αφήστε μία θερμή κασέτα μπαταρίας να κρυώσει πριν την φορτίσετε.

ΠΕΡΙΓΡΑΦΗ ΛΕΙΤΟΥΡΓΙΑΣ

ΠΡΟΣΟΧΗ:

- Πάντοτε βεβαιώνετε ότι το εργαλείο είναι σβηστό και η κασέτα μπαταρίας έχει αφαιρεθεί πριν ρυθμίσετε ή ελέγξετε κάποια λειτουργία στο εργαλείο.

Τοποθέτηση ή αφαίρεση της κασέτας μπαταρίας (Εικ. 1)

- Πάντοτε σβήνετε το εργαλείο πριν βάλετε ή βγάλετε την κασέτα μπαταρίας.
- Για να αφαιρέσετε τη κασέτα μπαταρίας, τραβήξτε τη έξω από το μηχάνημα ενώ πιέζετε τα πλήκτρα και στις δύο πλευρές της κασέτας.

- Για να εισάγετε την κασέτα μπαταρίας, κρατήστε την ώστε το μπροστινό άκρο της κασέτας να εφαρμόσει στο άνοιγμα του διαμερίσματος της μπαταρίας και ωθήστε την μέσα. Να φροντίζετε πάντα για την πλήρη εισαγωγή της, έως ότου ασφαλιστεί στη θέση της με ένα χαρακτηριστικό ήχο (κλικ). Εάν δεν ασφαλιστεί, ενδέχεται να πέσει από το εργαλείο τυχαία, προκαλώντας σωματική βλάβη σε εσάς ή κάποιον άλλο γύρω σας.

- Μη χρησιμοποιείτε δύναμη όταν εισάγετε την κασέτα μπαταρίας. Εάν η κασέτα δεν γλυστράει μέσα εύκολα, δεν εισάγεται με τον σωστό τρόπο.

Λειτουργία διακόπτη (Εικ. 2)

ΠΡΟΣΟΧΗ:

- Πριν βάλετε την κασέτα μπαταρίας μέσα στο εργαλείο, πάντοτε ελέγχετε να δείτε ότι η σκανδάλη διακόπτης ενεργοποιείται κανονικά και επιστρέφει στην θέση "OFF" όταν ελευθερώνεται.

Για να ξεκινήσετε το εργαλείο, απλώς τραβήξτε την σκανδάλη διακόπτη. Ελευθερώστε την σκανδάλη διακόπτη για να σταματήσει.

ΣΥΝΑΡΜΟΛΟΓΗΣΗ

ΠΡΟΣΟΧΗ:

- Πάντοτε βεβαιώνετε ότι το εργαλείο είναι σβηστό και η κασέτα μπαταρίας έχει αφαιρεθεί πριν εκτελέσετε κάποια εργασία στο εργαλείο.

Απόρριψη σκόνης

ΠΡΟΣΟΧΗ:

- Να αδειάζετε το ηλεκτρικό σκουπάκι πριν γεμίσει πλήρως, ή εξασθενήσει η δύναμη αναρρόφησης.
- Να φροντίζετε για το άδειασμα της σκόνης από το εσωτερικό της ίδιας της ηλεκτρικής σκούπας. Σε περίπτωση μη συμμόρφωσης ενδέχεται να προκληθεί έμφραξη του φίλτρου σπόγγου ή βλάβη του κινητήρα.

Για να αφαιρέσετε τη σκόνη η οποία επικάθεται στο φίλτρο μέσα στην κάψουλα, κτυπήστε ελαφρά την κάψουλα 4 ή 5 φορές με το χέρι σας. (Εικ. 3)
Τώρα στρέψτε την εισαγωγή αναρρόφησης προς τα κάτω, περιστρέψτε την κάψουλα προς την κατεύθυνση του βέλους στο διάγραμμα και αποσπάστε την κάψουλα με προσοχή ωθώντας ευθείως προς τα έξω. (Εικ. 4)

ΣΗΜΕΙΩΣΗ:

- Η σκόνη ενδέχεται να σκορπιστεί κατά το άνοιγμα της κάψουλας, για το λόγο αυτό φροντίστε να τοποθετήσετε μια σακούλα σκουπιδιών κάτω από την κάψουλα.

Αφαιρέστε τη συσσωρευμένη σκόνη από το εσωτερικό της κάψουλας και το προφίλτρο. (Εικ. 5)
Περιστρέψτε το προφίλτρο προς την κατεύθυνση του βέλους ώστε να απασφαλίσετε το χειλός ασφάλισης από τη μονάδα της σκούπας και στη συνέχεια αποσπάστε το προφίλτρο. (Εικ. 6)
Καθαρίστε τη λεπτότατη σκόνη από το προφίλτρο. Στη συνέχεια, αφαιρέστε το φίλτρο και κτυπήστε το ελαφρά, ώστε να αποκολληθεί η σκόνη. (Εικ. 7)

Εκ νέου συναρμολόγησης

Τοποθετήστε το φίλτρο έως ότου επιτευχθεί πλήρης εφαρμογή στη μονάδα της σκούπας. (Εικ. 8)

ΣΗΜΕΙΩΣΗ:

- Φροντίστε ώστε το φίλτρο να τοποθετηθεί κατάλληλα χωρίς να διπλωθεί προς τα πίσω. Εάν το φίλτρο τοποθετηθεί εσφαλμένα όπως φαίνεται στο διάγραμμα, η σκόνη θα εισέλθει στο εσωτερικό του περιβλήματος του κινητήρα και θα προκαλέσει βλάβη του κινητήρα. **(Εικ. 9)**

Τοποθετήστε το προφίλτρο. Σε αυτήν τη φάση, φροντίστε να περιστρέψετε το προφίλτρο, ώστε το χείλος ασφάλισης να ασφαλιστεί πλήρως στη μονάδα της σκούπας. **(Εικ. 10 και 11)**

Τοποθετήστε την κάψουλα. Ευθυγραμμίστε την προεσοχή της κάψουλας με την προεσοχή της λαβής και στη συνέχεια περιστρέψτε την κάψουλα σταθερά προς την κατεύθυνση του βέλους, έως ότου ασφαλιστεί. **(Εικ. 12 και 13)**

ΣΗΜΕΙΩΣΗ:

- Να αφαιρείτε πάντα τη σκόνη εγκαίρως, διότι η ισχύς αναρρόφησης μειώνεται σημαντικά, εάν υπάρχει υπερβολική ποσότητα σκόνης στο εσωτερικό της σκούπας.
- Να ελέγχετε πάντα, εάν το φίλτρο και το προφίλτρο έχουν τοποθετηθεί κατάλληλα πριν από τη χρήση της σκούπας. Εάν δεν έχουν τοποθετηθεί κατάλληλα, η σκόνη θα εισέλθει στο εσωτερικό του περιβλήματος του κινητήρα και θα προκαλέσει βλάβη του κινητήρα. Σε περίπτωση που συμβούν τα κάτωθι, το φίλτρο και το προφίλτρο δεν έχουν τοποθετηθεί κατάλληλα. Τοποθετήστε τα κατάλληλα εκ νέου για να διορθώσετε το πρόβλημα.

Παραδείγματα προβλημάτων

Παράδειγμα 1: Μόνον το προφίλτρο έχει τοποθετηθεί (χωρίς φίλτρο) **(Εικ. 14)**

Παράδειγμα 2: Μόνον το φίλτρο έχει τοποθετηθεί (χωρίς προφίλτρο) **(Εικ. 15)**

Παράδειγμα 3: Το φίλτρο τοποθετήθηκε εσφαλμένα και έχει διπλωθεί προς τα πίσω **(Εικ. 16)**

Παράδειγμα 4: Το χείλος ασφάλισης του προφίλτρου δεν έχει ασφαλιστεί κατάλληλα στην αύλακα του περιβλήματος της σκούπας **(Εικ. 17)**

ΛΕΙΤΟΥΡΓΙΑ

ΠΡΟΣΟΧΗ:

- Για να τοποθετήσετε διάφορα εξαρτήματα, όπως ένα ακροφύσιο, περιστρέψτε και εισάγετε το εξάρτημα προς την κατεύθυνση του βέλους, ώστε να διασφαλιστεί η ασφαλής σύνδεση στη διάρκεια της χρήσης. Για να αφαιρέσετε το εξάρτημα, περιστρέψτε και αποσπάστε πάλι προς την κατεύθυνση του βέλους. Εάν περιστρέψετε το εξάρτημα προς την αντίθετη κατεύθυνση, κατά την τοποθέτηση ή αφαίρεση, η κάψουλα ενδέχεται να αποσπαστεί. **(Εικ. 18)**
- Κρατήστε τα άκρα των μαλλιών, κασκόλ, σάλι, κτλ. μακριά από τις οπές εξαγωγής. Μπορεί να εμπλακούν στον κινητήρα και να προκαλέσουν τραυματισμό. **(Εικ. 19)**

Καθαρισμός (Αναρρόφηση)

Ακροφύσιο (Εικ. 20)

Προσαρμόστε το ακροφύσιο για να καθαρίσετε τραπέζια, γραφεία, έπιπλα, κ.λπ. Το ακροφύσιο τοποθετείται εύκολα σύροντάς το.

Ακροφύσιο + Ράβδος προέκτασης (Ευθύς σωλήνας) (Εικ. 21)

Η ράβδος προέκτασης τοποθετείται μεταξύ ακροφυσίου και ηλεκτρικής σκούπας. Ο συνδυασμός αυτός διευκολύνει στον καθαρισμό ενός δαπέδου, ενώ ο χειριστής παραμένει σε όρθια θέση.

Ακροφύσιο γωνιών (Εικ. 22)

Τοποθετήστε το ακροφύσιο γωνιών για να καθαρίσετε γωνίες και χαραμάδες σε ένα αυτοκίνητο ή έπιπλα.

Ακροφύσιο γωνιών + Ράβδος προέκτασης (Ευθύς σωλήνας) (Εικ. 23)

Χρησιμοποιήστε αυτόν το συνδυασμό σε περιορισμένους χώρους, όπου η ηλεκτρική σκούπα δεν χωρά, ή σε υψηλά σημεία όπου η πρόσβαση είναι δύσκολη.

Καθαρισμός χωρίς ακροφύσιο (Εικ. 24)

Μπορείτε να συλλέξετε σκόνη χωρίς το ακροφύσιο.

ΣΥΝΤΗΡΗΣΗ

ΠΡΟΣΟΧΗ:

- Να φροντίζετε πάντα για την απενεργοποίηση του εργαλείου πριν επιχειρήσετε οποιοδήποτε έλεγχο ή συντήρηση του εργαλείου.

Μετά από τη χρήση (Εικ. 25 και 26)

Όταν αποθηκεύετε την ηλεκτρική σκούπα, ασφαλίστε την κεφαλή ακροφυσίου και κρεμάστε την από έναν γάντζο, ο οποίος είναι εμπορικά διαθέσιμος.

ΠΡΟΣΟΧΗ:

- Αν ακουμπήσετε την ηλεκτρική σκούπα στον τοίχο χωρίς γάντζο μπορεί να πέσει και να υποστεί ζημιά.

Καθαρισμός

Περιστασιακά, καθαρίστε το εξωτερικό (σώμα ηλεκτρικής σκούπας) της σκούπας χρησιμοποιώντας ένα πανί που έχετε υγράνει με σαπουνόνερο. Καθαρίστε, επίσης, το άνοιγμα αναρρόφησης, το χώρο τοποθέτησης του σάκου/της χάρτινης σακούλας και τον αναστολέα σκόνης. **(Εικ. 27)**

ΠΡΟΣΟΧΗ:

- Μην χρησιμοποιείτε ποτέ βενζίνη, πετρελαϊκό αιθέρα, διαλυτικό, αλκοόλη ή παρόμοιες ουσίες. Ενδέχεται να προκληθεί αποχρωματισμός παραμόρφωση ή ρωγμές.

Πλύντε το σάκο σκόνης σε σαπουνόνερο, όταν παρατηρηθεί έμφραξη λόγω σκόνης και μείωση της απορροφητικής ισχύος. Στεγνώστε πλήρως πριν από τη χρήση. Ένας σάκος που δεν είναι απολύτως στεγνός ενδέχεται να προκαλέσει κακή αναρρόφηση και μείωση της διάρκειας ζωής του μοτέρ. **(Εικ. 28)**

Τι θα πρέπει να ελέγξετε πριν ζητήσετε επισκευή

Σύμπτωμα	Περιοχή διερεύνησης	Μέθοδος επιδιόρθωσης
Ασθενής ισχύς αναρρόφησης	<ul style="list-style-type: none">• Είναι η κάψουλα γεμάτη σκόνη;• Είναι το φίλτρο φραγμένο;• Είναι η μπαταρία εξαντλημένη;	<ul style="list-style-type: none">• Αδειάστε τη σκόνη από την κάψουλα.• Ξεσκονίστε ή πλύνετε το φίλτρο.• Επαναφορτίστε τη μπαταρία.
Δεν λειτουργεί	<ul style="list-style-type: none">• Είναι η μπαταρία εξαντλημένη;	<ul style="list-style-type: none">• Επαναφορτίστε τη μπαταρία.

010051

ΣΗΜΕΙΩΣΗ:

- Μην επιχειρήσετε να επισκευάσετε τη σκούπα μόνοι σας.

Για την διατήρηση της ΑΣΦΑΛΕΙΑΣ και ΑΞΙΟΠΙΣΤΙΑΣ του προϊόντος, επισκευές, οποιαδήποτε άλλη συντήρηση ή ρύθμιση πρέπει να εκτελούνται από τα Εξουσιοδοτημένα Κέντρα Εξυπηρέτησης της Makita, με χρήση πάντοτε ανταλλακτικών Makita.

ΠΡΟΑΙΡΕΤΙΚΑ ΕΞΑΡΤΗΜΑΤΑ

ΠΡΟΣΟΧΗ:

- Αυτά τα παρελκόμενα ή προσαρτήματα συνιστώνται για χρήση με το εργαλείο της Makita που περιγράφεται στο παρόν εγχειρίδιο. Η χρήση οποιουδήποτε άλλου παρελκόμενου ή προσαρτήματος ενέχει κίνδυνο τραυματισμού ατόμων. Το παρελκόμενο ή προσάρτημα να χρησιμοποιείται μόνο για την προοριζόμενη χρήση του.

Εάν χρειάζεστε βοήθεια όσον αφορά περαιτέρω λεπτομέρειες σχετικά με τα εν λόγω παρελκόμενα, απευθυνθείτε στο τοπικό κέντρο σέρβις της Makita.

- Ράβδος προέκτασης (Ευθύς σωλήνας)
- Ακροφύσιο
- Ακροφύσιο για μοκέτα
- Βούρτσα ραφιών
- Ακροφύσιο γωνιών
- Στρογγυλή βούρτσα
- Εύκαμπτος σωλήνας
- Φίλτρο
- Προφίλτρο
- Γνήσια μπαταρία και φορτιστής της Makita

ΠΑΡΑΤΗΡΗΣΗ:

- Μερικά στοιχεία στη λίστα μπορεί να συμπεριλαμβάνονται στη συσκευασία εργαλείου ως στάνταρ εξαρτήματα. Μπορεί να διαφέρουν ανάλογα με τη χώρα.

Makita Jan-Baptist Vinkstraat 2, 3070, Belgium
Makita Corporation Anjo, Aichi, Japan

884898E998

www.makita.com

IDE