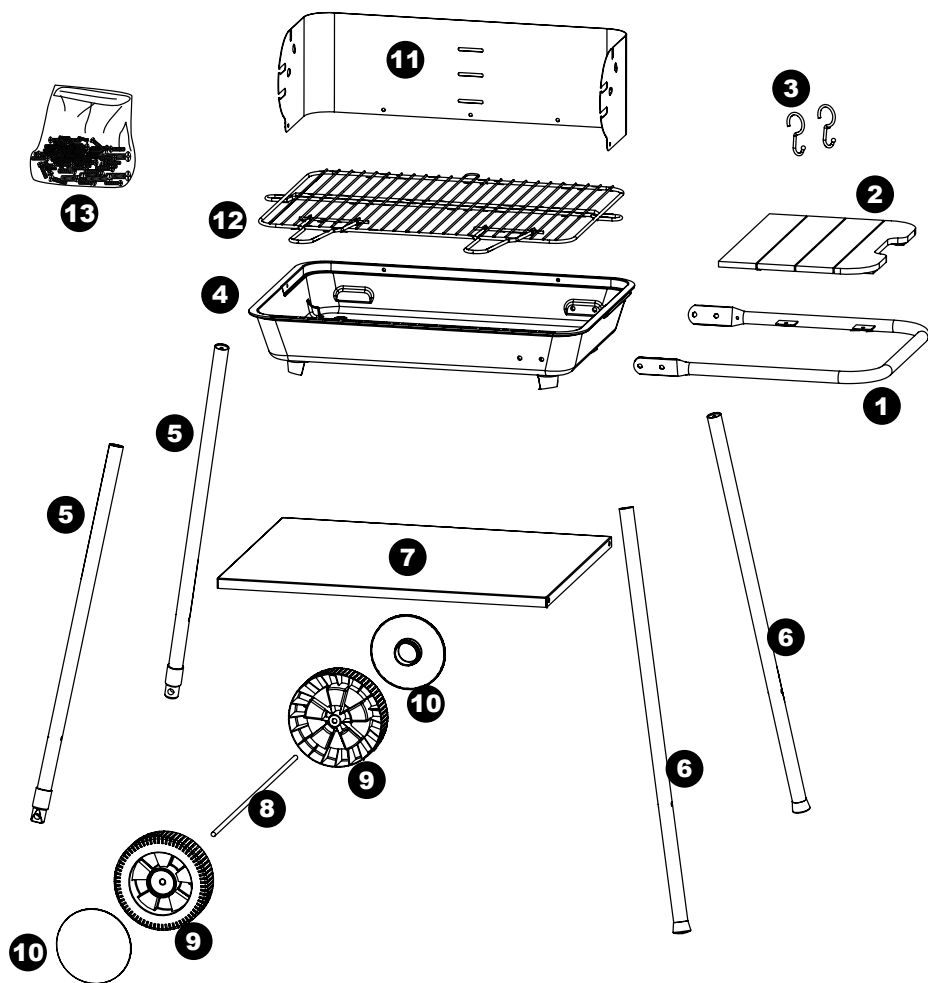


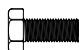









TOM 375337 (NF)

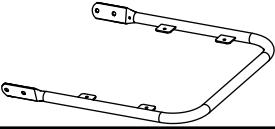

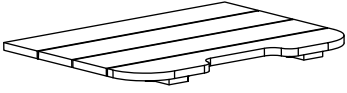
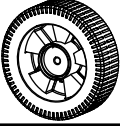
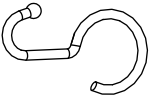
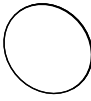
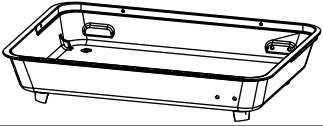
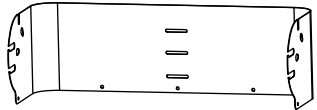









	Ø6x30	x4
	Ø6x16	x4
	Ø6x16	x4
	Ø4x16	x4
	Ø3.5x9.5	x4

	Ø8	x2
	Ø6	x8
	Ø4	x4
	Ø6	x4
	Ø4	x8



1		x1	8		x1
2		x1	9		x2
3		x2	10		x2
4		x1	11		x1
5		x2	12		x1
6		x2	13		x1
7		x1			

1

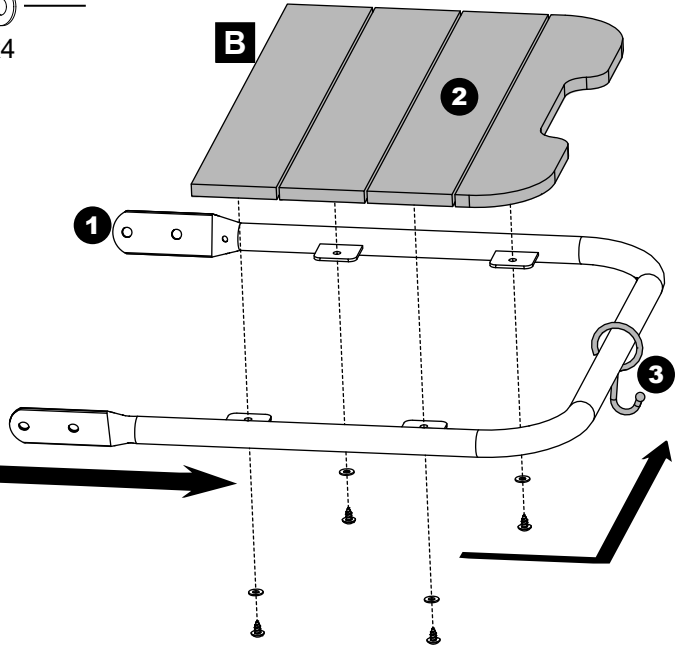
Ø3,5x9,5

Ø4



x4

x4

**2**

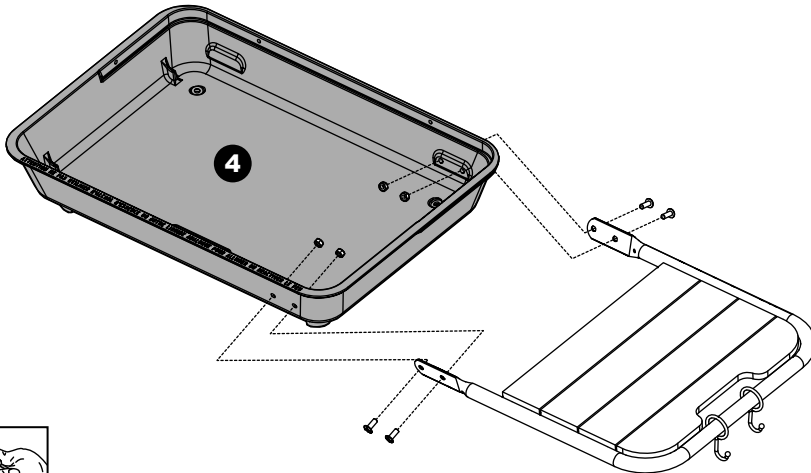
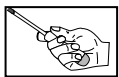
Ø6x16

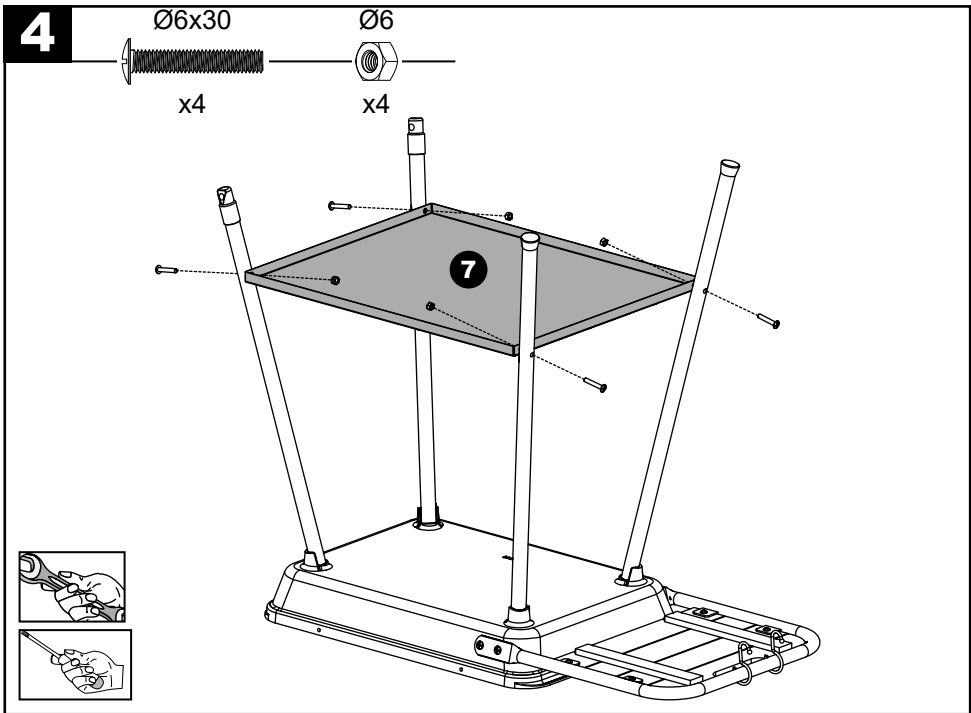
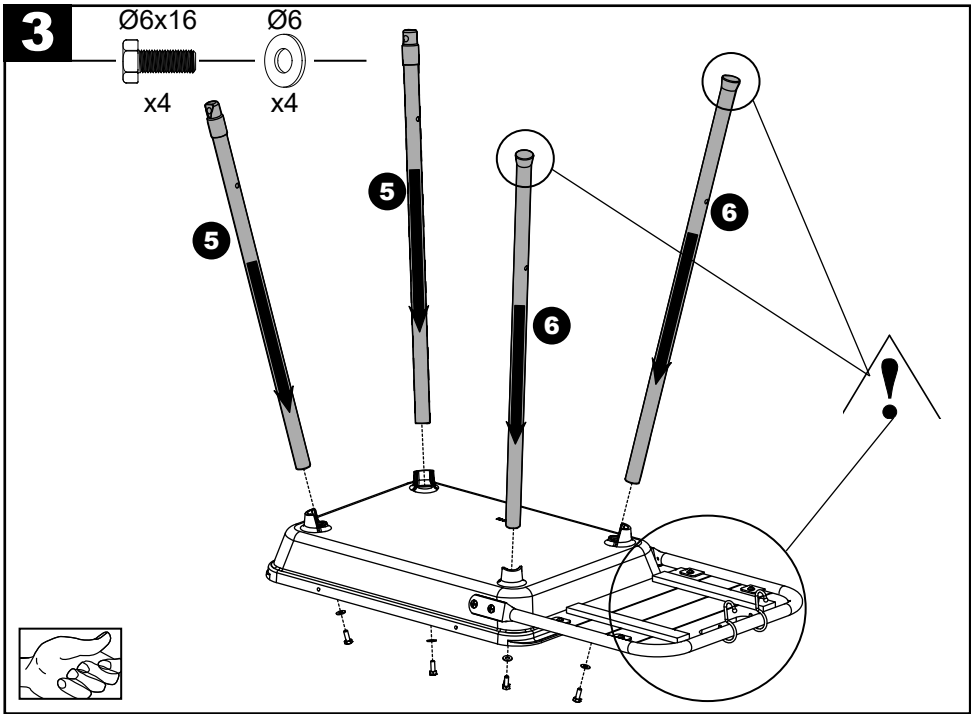
Ø6



x4

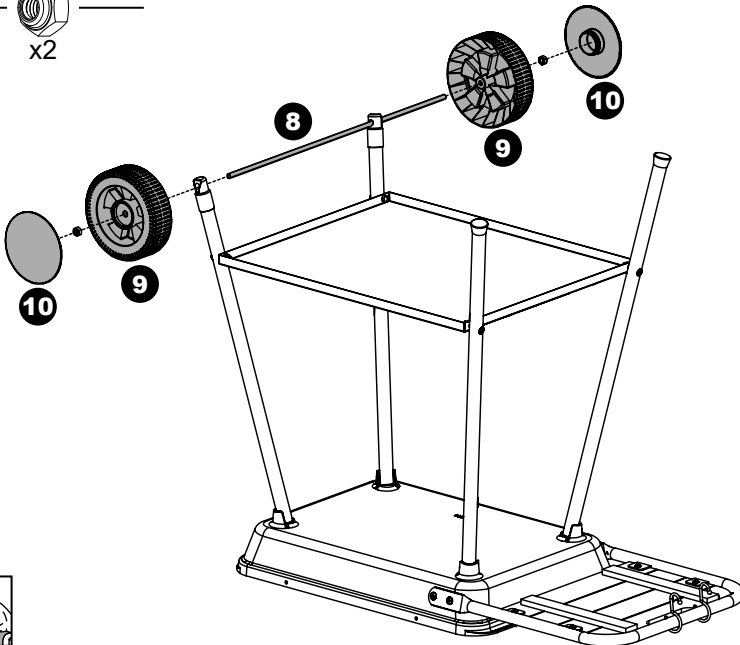
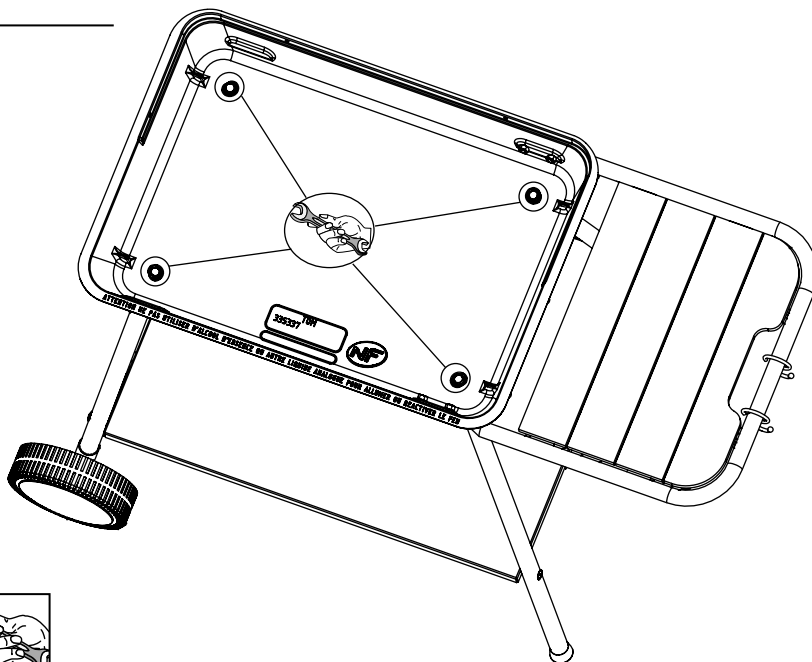
x4





5

Ø8
x2

**6**

7

Ø4x16



x4

Ø4

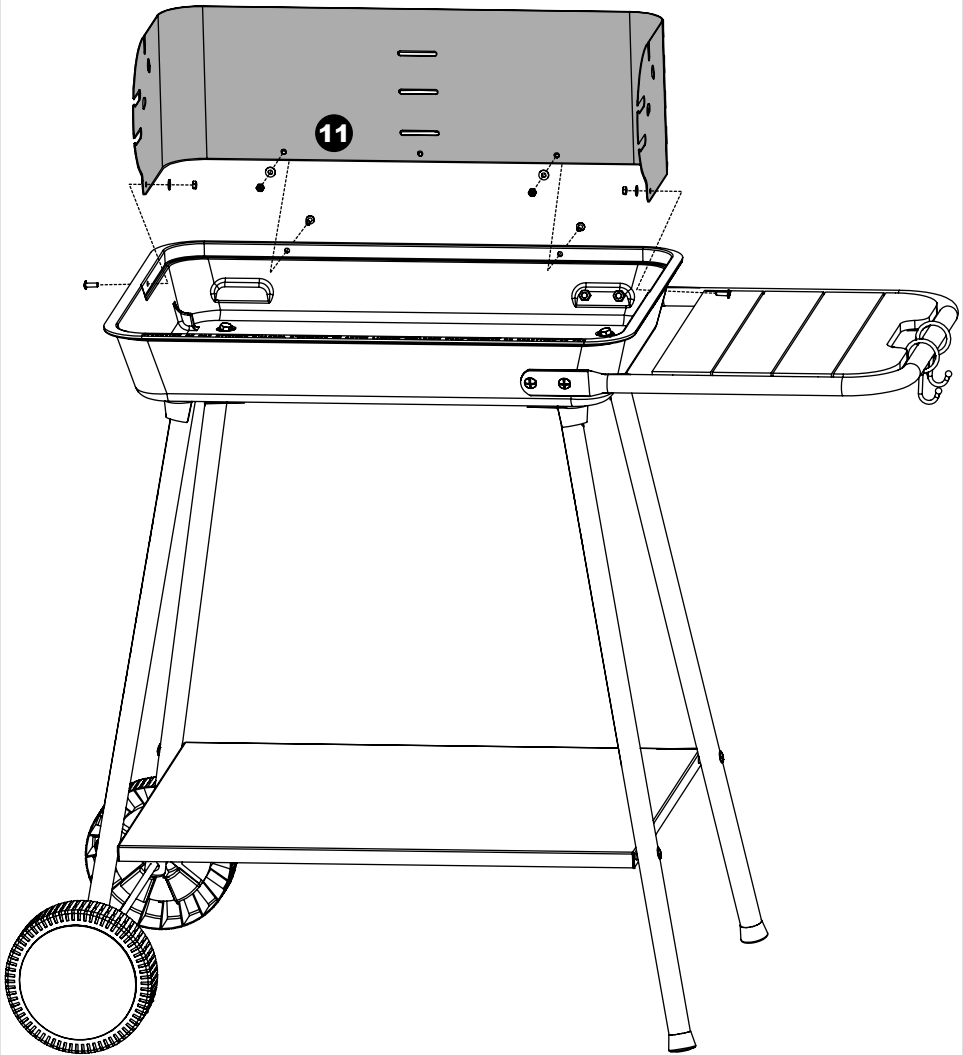


x4

Ø4



x4



8

