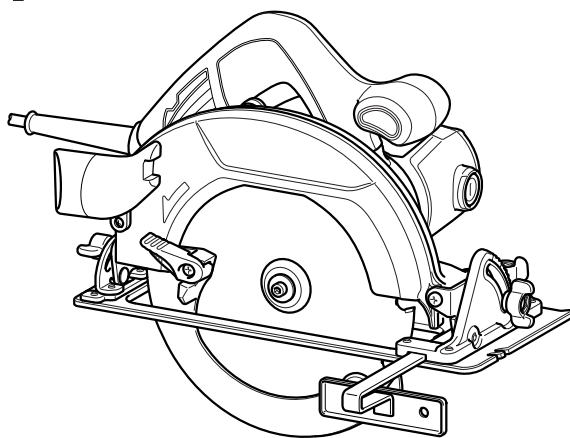




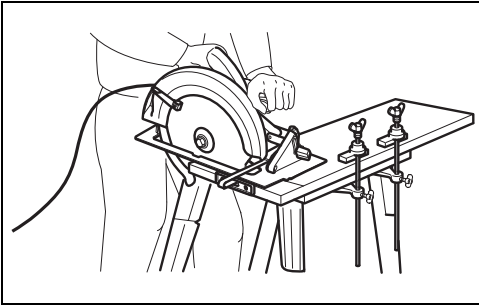
GB	Circular Saw	Instruction manual
F	Scie Circulaire	Manuel d'instructions
D	Handkreissäge	Betriebsanleitung
I	Sega circolare	Istruzioni per l'uso
NL	Handcirkelzaag	Gebruiksaanwijzing
E	Sierra Circular	Manual de instrucciones
P	Serra Circular	Manual de instruções
DK	Rundsav	Brugsanvisning
GR	Δισκοπρίονο	Οδηγίες χρήσης
TR	Sunta Kesme	Kullanım kılavuzu

HS7601



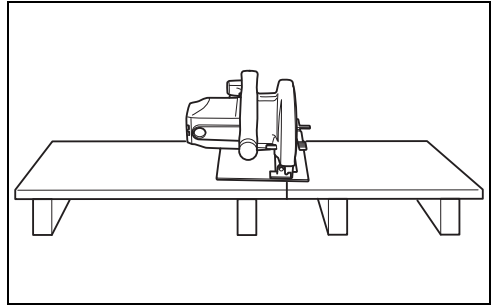
015318





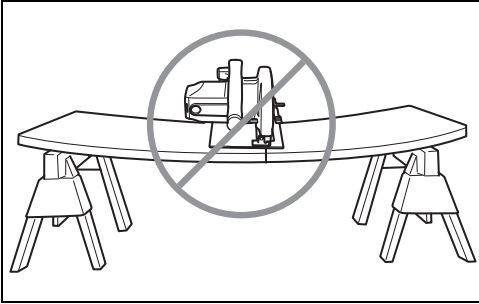
1

000157



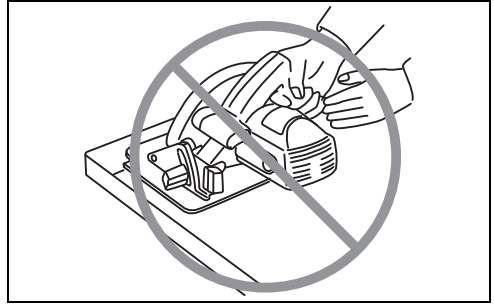
2

000154



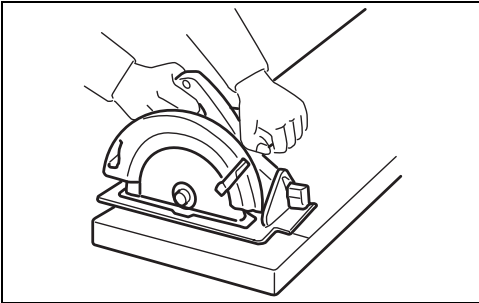
3

000156



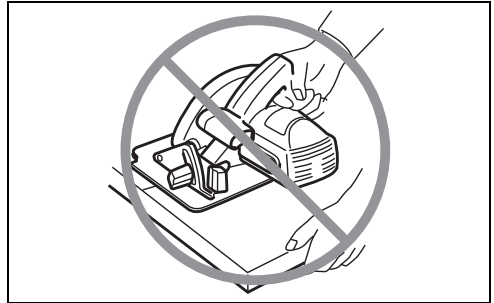
4

000194



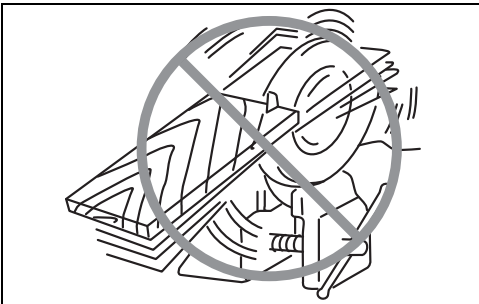
5

000147



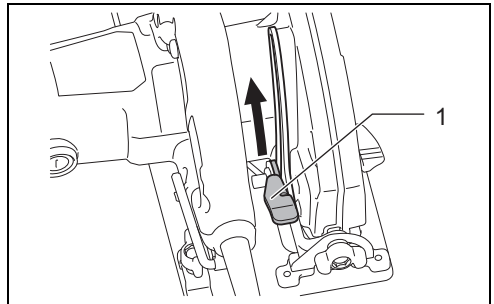
6

000150



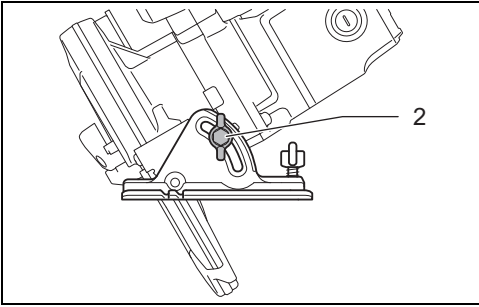
7

000029



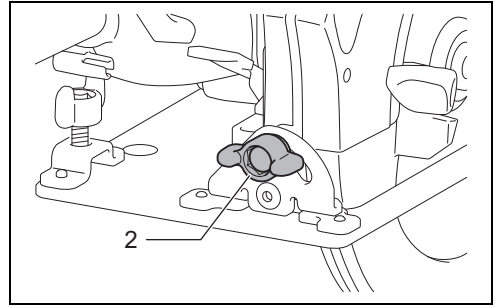
8

015319



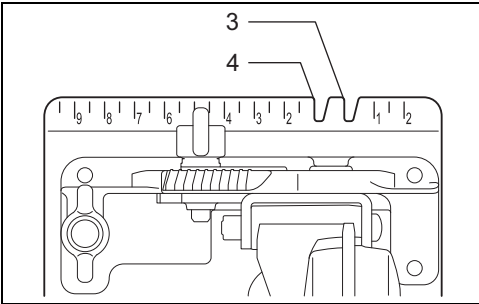
9

015320



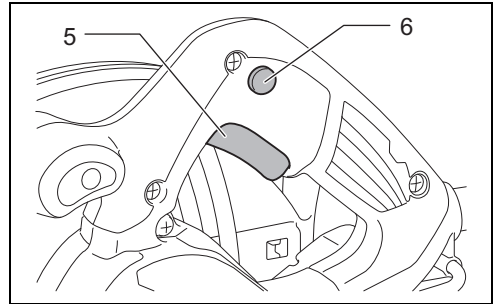
10

015321



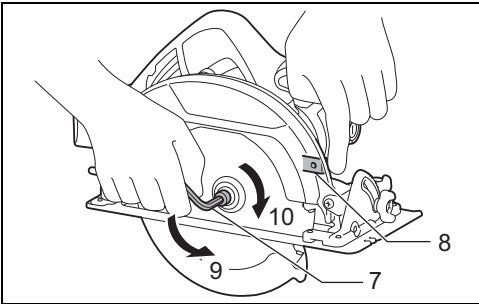
11

015322



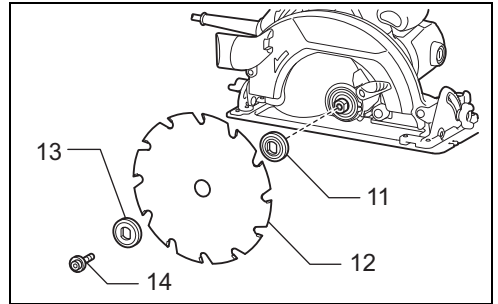
12

015323



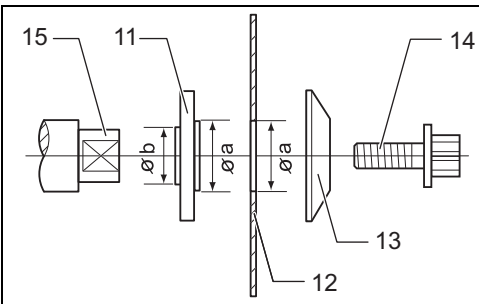
13

015324



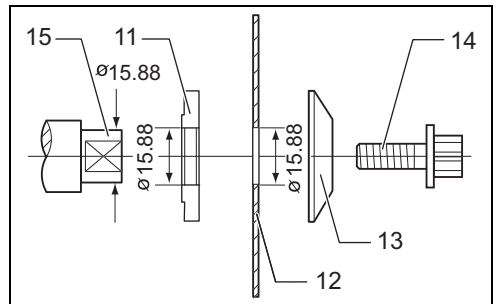
14

015325



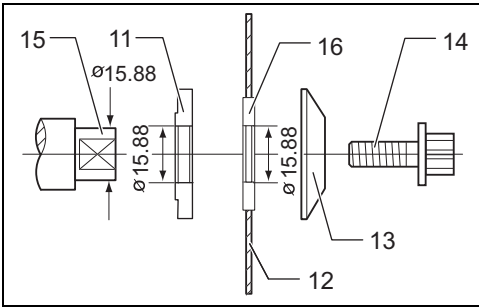
15

011230



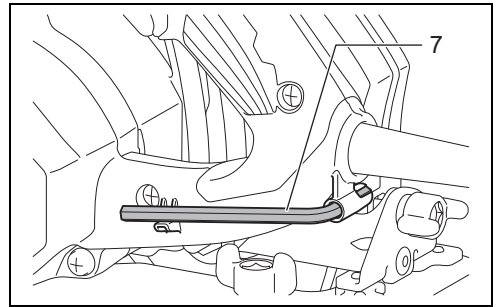
16

011231



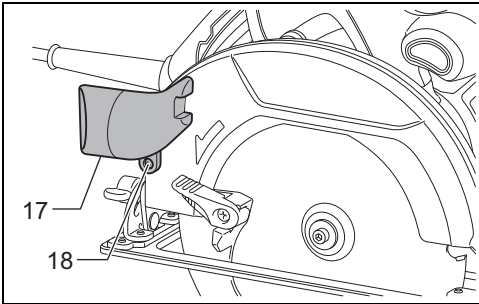
17

014598



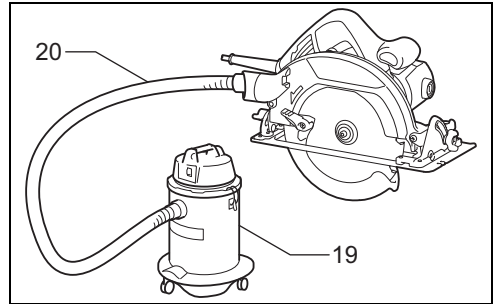
18

015325



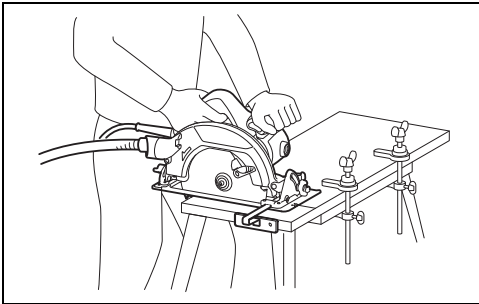
19

015326



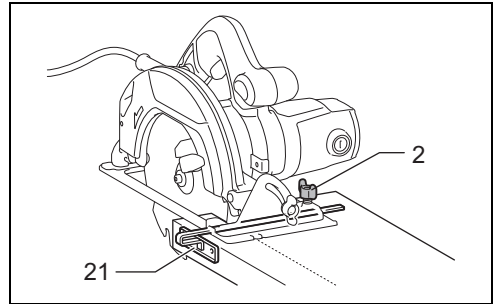
20

015327



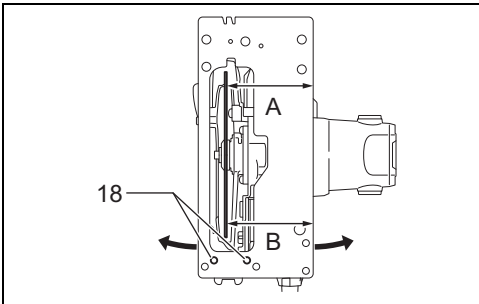
21

015329



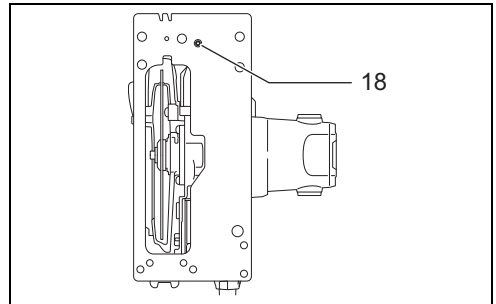
22

015330



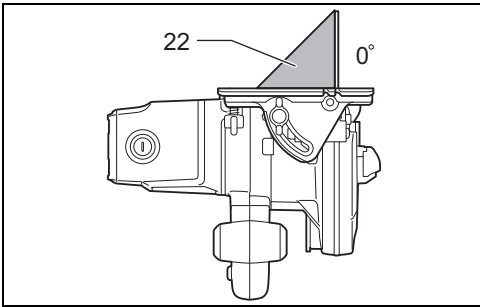
23

015333



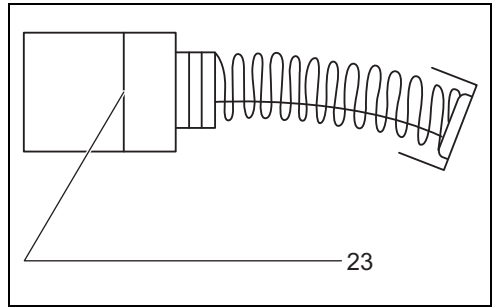
24

015331



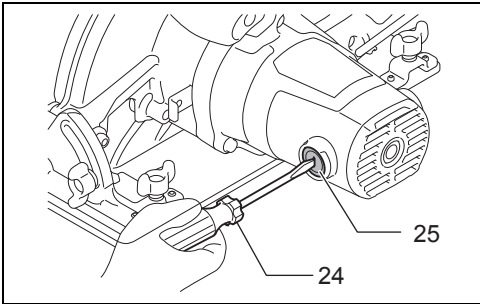
25

015332



26

001145



27

015334

ENGLISH (Original instructions)

Explanation of general view

- | | | |
|--------------------------------|--------------------|----------------------|
| 1. Lever | 10. Tighten | 19. Vacuum cleaner |
| 2. Clamping screw | 11. Inner flange | 20. Hose |
| 3. Cutting line (0° position) | 12. Saw blade | 21. Rip fence |
| 4. Cutting line (45° position) | 13. Outer flange | 22. Triangular rule |
| 5. Switch trigger | 14. Hex bolt | 23. Limit mark |
| 6. Lock-off button | 15. Mounting shaft | 24. Screwdriver |
| 7. Hex wrench | 16. Ring | 25. Brush holder cap |
| 8. Shaft lock | 17. Dust nozzle | |
| 9. Loosen | 18. Screw | |

SPECIFICATIONS

Model	HS7601	
Blade diameter	190 mm	
Max. cutting depth	at 0°	66 mm
	at 45°	46 mm
No load speed	5,200 min ⁻¹	
Overall length	309 mm	
Net weight	4.0 kg	
Safety class	□/II	

- Due to our continuing program of research and development, the specifications herein are subject to change without notice.
- Specifications may differ from country to country.
- Weight according to EPTA-Procedure 01/2003

Intended use ENE078-2

The tool is intended for performing lengthways and crossways straight cuts and mitre cuts with angles in wood while in firm contact with the workpiece. With appropriate Makita genuine saw blades, other materials can also be sawed.

Power supply ENF002-2

The tool should be connected only to a power supply of the same voltage as indicated on the nameplate, and can only be operated on single-phase AC supply. They are double-insulated and can, therefore, also be used from sockets without earth wire.

General Power Tool Safety Warnings

GEA010-1

⚠ WARNING Read all safety warnings and all instructions. Failure to follow the warnings and instructions may result in electric shock, fire and/or serious injury.

Save all warnings and instructions for future reference.

CIRCULAR SAW SAFETY WARNINGS

GEB013-7

Cutting procedures

1. **⚠ DANGER:** Keep hands away from cutting area and the blade. Keep your second hand on

- auxiliary handle, or motor housing.** If both hands are holding the saw, they cannot be cut by the blade.
2. **Do not reach underneath the workpiece.** The guard cannot protect you from the blade below the workpiece.
3. **Adjust the cutting depth to the thickness of the workpiece.** Less than a full tooth of the blade teeth should be visible below the workpiece.
4. **Never hold piece being cut in your hands or across your leg. Secure the workpiece to a stable platform.** It is important to support the work properly to minimize body exposure, blade binding, or loss of control.
A typical illustration of proper hand support, workpiece support, and supply cord routing (if applicable). (Fig. 1)
5. **Hold the power tool by insulated gripping surfaces only, when performing an operation where the cutting tool may contact hidden wiring or its own cord.** Contact with a "live" wire will also make exposed metal parts of the power tool "live" and could give the operator an electric shock.
6. **When ripping, always use a rip fence or straight edge guide.** This improves the accuracy of cut and reduces the chance of blade binding.
7. **Always use blades with correct size and shape (diamond versus round) of arbour holes.** Blades that do not match the mounting hardware of the saw will run eccentrically, causing loss of control.
8. **Never use damaged or incorrect blade washers or bolt.** The blade washers and bolt were specially designed for your saw, for optimum performance and safety of operation.

Kickback causes and related warnings

- kickback is a sudden reaction to a pinched, bound or misaligned saw blade, causing an uncontrolled saw to lift up and out of the workpiece toward the operator;
- when the blade is pinched or bound tightly by the kerf closing down, the blade stalls and the motor reaction drives the unit rapidly back toward the operator;
- if the blade becomes twisted or misaligned in the cut, the teeth at the back edge of the blade can dig into the top surface of the wood causing the blade to climb out of the kerf and jump back toward the operator.

Kickback is the result of saw misuse and/or incorrect operating procedures or conditions and can be avoided by taking proper precautions as given below.

9. **Maintain a firm grip with both hands on the saw and position your arms to resist kickback forces. Position your body to either side of the blade, but not in line with the blade.** Kickback could cause the saw to jump backwards, but kickback forces can be controlled by the operator, if proper precautions are taken.
10. **When blade is binding, or when interrupting a cut for any reason, release the trigger and hold the saw motionless in the material until the blade comes to a complete stop. Never attempt to remove the saw from the work or pull the saw backward while the blade is in motion or kickback may occur.** Investigate and take corrective actions to eliminate the cause of blade binding.
11. **When restarting a saw in the workpiece, centre the saw blade in the kerf and check that saw teeth are not engaged into the material.** If saw blade is binding, it may walk up or kickback from the workpiece as the saw is restarted.
12. **Support large panels to minimise the risk of blade pinching and kickback.** Large panels tend to sag under their own weight. Supports must be placed under the panel on both sides, near the line of cut and near the edge of the panel.
To avoid kickback, do support board or panel near the cut. (Fig. 2)
Do not support board or panel away from the cut. (Fig. 3)
13. **Do not use dull or damaged blades.** Unsharpened or improperly set blades produce narrow kerf causing excessive friction, blade binding and kickback.
14. **Blade depth and bevel adjusting locking levers must be tight and secure before making cut.** If blade adjustment shifts while cutting, it may cause binding and kickback.
15. **Use extra caution when sawing into existing walls or other blind areas.** The protruding blade may cut objects that can cause kickback.
16. **ALWAYS hold the tool firmly with both hands. NEVER place your hand or fingers behind the saw.** If kickback occurs, the saw could easily jump backwards over your hand, leading to serious personal injury. (Fig. 4)
17. **Never force the saw. Push the saw forward at a speed so that the blade cuts without slowing.** Forcing the saw can cause uneven cuts, loss of accuracy, and possible kickback.

Lower guard function

18. **Check lower guard for proper closing before each use. Do not operate the saw if lower guard does not move freely and close instantly. Never clamp or tie the lower guard into the open position.** If saw is accidentally dropped, lower guard may be bent. Raise the lower guard with the retracting handle and make sure it moves freely and does not touch the blade or any other part, in all angles and depths of cut.
19. **Check the operation of the lower guard spring. If the guard and the spring are not operating properly, they must be serviced before use.** Lower guard may operate sluggishly due to damaged parts, gummy deposits, or a build-up of debris.
20. **Lower guard may be retracted manually only for special cuts such as "plunge cuts" and "compound cuts".** Raise lower guard by retracting handle and as soon as blade enters the material, the lower guard must be released. For all other sawing, the lower guard should operate automatically.
21. **Always observe that the lower guard is covering the blade before placing saw down on bench or floor.** An unprotected, coasting blade will cause the saw to walk backwards, cutting whatever is in its path. Be aware of the time it takes for the blade to stop after switch is released.
22. **To check lower guard, open lower guard by hand, then release and watch guard closure. Also check to see that retracting handle does not touch tool housing.** Leaving blade exposed is VERY DANGEROUS and can lead to serious personal injury.

Additional safety warnings

23. **Use extra caution when cutting damp wood, pressure treated lumber, or wood containing knots.** Maintain smooth advancement of tool without decrease in blade speed to avoid overheating the blade tips.
24. **Do not attempt to remove cut material when blade is moving. Wait until blade stops before grasping cut material.** Blades coast after turn off.
25. **Avoid cutting nails. Inspect for and remove all nails from lumber before cutting.**
26. **Place the wider portion of the saw base on that part of the workpiece which is solidly supported, not on the section that will fall off when the cut is made. As examples, Fig. 5 illustrates the RIGHT way to cut off the end of a board, and Fig. 6 the WRONG way. If the workpiece is short or small, clamp it down. DO NOT TRY TO HOLD SHORT PIECES BY HAND!**
27. **Before setting the tool down after completing a cut, be sure that the lower guard has closed and the blade has come to a complete stop.**
28. **Never attempt to saw with the circular saw held upside down in a vise. This is extremely dangerous and can lead to serious accidents. (Fig. 7)**
29. **Some material contains chemicals which may be toxic. Take caution to prevent dust inhalation and skin contact. Follow material supplier safety data.**
30. **Do not stop the blades by lateral pressure on the saw blade.**
31. **Do not use any abrasive wheels.**

32. **Only use the saw blade with the diameter that is marked on the tool or specified in the manual.** Use of an incorrectly sized blade may affect the proper guarding of the blade or guard operation which could result in serious personal injury.
33. **Keep blade sharp and clean.** Gum and wood pitch hardened on blades slows saw and increases potential for kickback. Keep blade clean by first removing it from tool, then cleaning it with gum and pitch remover, hot water or kerosene. Never use gasoline.
34. **Wear a dust mask and hearing protection when use the tool.**

SAVE THESE INSTRUCTIONS.

⚠ WARNING:
DO NOT let comfort or familiarity with product (gained from repeated use) replace strict adherence to safety rules for the subject product. MISUSE or failure to follow the safety rules stated in this instruction manual may cause serious personal injury.

FUNCTIONAL DESCRIPTION

⚠ CAUTION:

- Always be sure that the tool is switched off and unplugged before adjusting or checking function on the tool.

Adjusting depth of cut

⚠ CAUTION:

- After adjusting the depth of cut, always tighten the lever securely. (Fig. 8)

Loosen the lever on the depth guide and move the base up or down. At the desired depth of cut, secure the base by tightening the lever.
 For cleaner, safer cuts, set cut depth so that no more than one blade tooth projects below workpiece. Using proper cut depth helps to reduce potential for dangerous KICKBACKS which can cause personal injury.

Bevel cutting (Fig. 9 & 10)

Loosen the clamping screws. Set for the desired angle (0° - 45°) by tilting accordingly, then tighten the clamping screws securely.

Sighting (Fig. 11)

For straight cuts, align the 0° position on the front of the base with your cutting line. For 45° bevel cuts, align the 45° position with it.

Switch action

⚠ CAUTION:

- Before plugging in the tool, always check to see that the switch trigger actuates properly and returns to the "OFF" position when released.
- Do not pull the switch trigger hard without pressing in the lock-off button. This can cause switch breakage. (Fig. 12)

To prevent the switch trigger from being accidentally pulled, a lock-off button is provided.

To start the tool, depress the lock-off button and pull the switch trigger. Release the switch trigger to stop.

⚠ WARNING:

- For your safety, this tool is equipped with a lock-off button which prevents the tool from unintended starting. NEVER use the tool if it runs when you simply pull the switch trigger without pressing the lock-off button. Return tool to a Makita service center for proper repairs BEFORE further usage.
- NEVER tape down or defeat purpose and function of lock-off button.

ASSEMBLY

⚠ CAUTION:

- Always be sure that the tool is switched off and unplugged before adjusting or checking function on the tool.

Removing or installing saw blade

⚠ CAUTION:

- Be sure the blade is installed with teeth pointing up at the front of the tool.
- Use only the Makita wrench to install or remove the blade.

To remove the blade, press the shaft lock so that the blade cannot revolve and use the wrench to loosen the hex bolt counterclockwise. Then remove the hex bolt, outer flange and blade. (Fig. 13)

When changing blade, make sure to also clean upper and lower blade guards of accumulated sawdust. Such efforts do not, however, replace the need to check lower guard operation before each use. (Fig. 14)

For tool with the inner flange for other than 15.88 mm hole-diameter saw blade (Fig. 15)

The inner flange has a certain diameter protrusion on one side of it and a different diameter protrusion on the other side. Choose a correct side on which protrusion fits into the saw blade hole perfectly.

Next, mount the inner flange onto the mounting shaft so that the correct side of protrusion on the inner flange faces outward and then place saw blade and outer flange. **BE SURE TO TIGHTEN THE HEX BOLT CLOCKWISE SECURELY.**

⚠ CAUTION:

- Make sure that the protrusion "a" on the inner flange that is positioned outside fits into the saw blade hole "a" perfectly.** Mounting the blade on the wrong side can result in the dangerous vibration.

For tool with the inner flange for a 15.88 mm hole-diameter saw blade (country specific) (Fig. 16 & 17)

Mount the inner flange with its recessed side facing outward onto the mounting shaft and then place saw blade (with the ring attached if needed), outer flange and hex bolt.

BE SURE TO TIGHTEN THE HEX BOLT CLOCKWISE SECURELY.

⚠ WARNING:

- Before mounting the blade onto the spindle, always be sure that the correct ring for the blade's arbor hole you intend to use is installed between the**

inner and the outer flanges. Use of the incorrect arbor hole ring may result in the improper mounting of the blade causing blade movement and severe vibration resulting in possible loss of control during operation and in serious personal injury.

Hex wrench storage (Fig. 18)

When not in use, store the hex wrench as shown in the figure to keep it from being lost.

Connecting a vacuum cleaner (optional accessory) (Fig. 19 & 20)

When you wish to perform clean cutting operation, connect a Makita vacuum cleaner to your tool. Install the dust nozzle on the tool using the screw. Then connect a hose of the vacuum cleaner to the dust nozzle as shown in the figure.

OPERATION

⚠ CAUTION:

- Be sure to move the tool forward in a straight line gently. Forcing or twisting the tool will result in overheating the motor and dangerous kickback, possibly causing severe injury.
- Always use a front grip and rear handle and firmly hold the tool by both front grip and rear handle during operations. (Fig. 21)

Hold the tool firmly. The tool is provided with both a front grip and rear handle. Use both to best grasp the tool. If both hands are holding saw, they cannot be cut by the blade. Set the base on the workpiece to be cut without the blade making any contact. Then turn the tool on and wait until the blade attains full speed. Now simply move the tool forward over the workpiece surface, keeping it flat and advancing smoothly until the sawing is completed. To get clean cuts, keep your sawing line straight and your speed of advance uniform. If the cut fails to properly follow your intended cut line, do not attempt to turn or force the tool back to the cut line. Doing so may bind the blade and lead to dangerous kickback and possible serious injury. Release switch, wait for blade to stop and then withdraw tool. Realign tool on new cut line, and start cut again. Attempt to avoid positioning which exposes operator to chips and wood dust being ejected from saw. Use eye protection to help avoid injury.

Rip fence (Guide rule) (optional accessory) (Fig. 22)

The handy rip fence allows you to do extra-accurate straight cuts. Simply slide the rip fence up snugly against the side of the workpiece and secure it in position with the clamping screw on the front of the base. It also makes repeated cuts of uniform width possible.

MAINTENANCE

⚠ CAUTION:

- Always be sure that the tool is switched off and unplugged before attempting to perform inspection or maintenance.
- **Clean out the upper and lower guards to ensure there is no accumulated sawdust which may**

impede the operation of the lower guarding system. A dirty guarding system may limit the proper operation which could result in serious personal injury. The most effective way to accomplish this cleaning is with compressed air. **If the dust is being blown out of the guards, be sure the proper eye and breathing protection is used.**

- Never use gasoline, benzine, thinner, alcohol or the like. Discoloration, deformation or cracks may result.

Adjusting for parallelism (Fig. 23)

The parallelism between the blade and the base has been factory adjusted. But if it is off, you can adjust it as the following procedure.

Make sure all levers and screws are tightened. Slightly loosen the screw as illustrated. While opening the lower guard, move the rear of base so that the distance A and B are equal. After adjusting, tighten the screw. Make a test cut to get a correct parallelism.

Adjusting for accuracy of 0° cut (Fig. 24 & 25)

This adjustment has been made at the factory. But if it is off, adjust the adjusting screws with a hex wrench while inspecting 0° the blade with the base using a triangular rule or square rule, etc.

Replacing carbon brushes (Fig. 26)

Remove and check the carbon brushes regularly. Replace when they wear down to the limit mark. Keep the carbon brushes clean and free to slip in the holders. Both carbon brushes should be replaced at the same time. Use only identical carbon brushes.

Use a screwdriver to remove the brush holder caps. Take out the worn carbon brushes, insert the new ones and secure the brush holder caps. (Fig. 27)

To maintain product SAFETY and RELIABILITY, repairs, any other maintenance or adjustment should be performed by Makita Authorized Service Centers, always using Makita replacement parts.

OPTIONAL ACCESSORIES

⚠ CAUTION:

- These accessories or attachments are recommended for use with your Makita tool specified in this manual. The use of any other accessories or attachments might present a risk of injury to persons. Only use accessory or attachment for its stated purpose.

If you need any assistance for more details regarding these accessories, ask your local Makita Service Center.

- Saw blades
- Rip fence (Guide rule)
- Guide rail
- Guide rail adapter
- Rule bar
- Dust nozzle
- Hex wrench

NOTE:

- Some items in the list may be included in the tool package as standard accessories. They may differ from country to country.

Noise

ENG905-1

The typical A-weighted noise level determined according to EN60745:

Sound pressure level (L_{pA}): 87 dB (A)

Sound power level (L_{WA}): 98 dB (A)

Uncertainty (K): 3 dB (A)

Wear ear protection.

Vibration

ENG900-1

The vibration total value (tri-axial vector sum) determined according to EN60745:

Work mode: cutting wood

Vibration emission ($a_{h,W}$): 2.5 m/s² or less

Uncertainty (K): 1.5 m/s²

ENG901-1

- The declared vibration emission value has been measured in accordance with the standard test method and may be used for comparing one tool with another.
- The declared vibration emission value may also be used in a preliminary assessment of exposure.

⚠ WARNING:

- The vibration emission during actual use of the power tool can differ from the declared emission value depending on the ways in which the tool is used.
- Be sure to identify safety measures to protect the operator that are based on an estimation of exposure in the actual conditions of use (taking account of all parts of the operating cycle such as the times when the tool is switched off and when it is running idle in addition to the trigger time).

For European countries only

ENH101-18

EC Declaration of Conformity**Makita declares that the following Machine(s):**

Designation of Machine:

Circular Saw

Model No./Type: HS7601

Conforms to the following European Directives:

2006/42/EC

They are manufactured in accordance with the following standard or standardized documents:

EN60745

The technical file in accordance with 2006/42/EC is available from:

Makita, Jan-Baptist Vinkstraat 2, 3070, Belgium

21. 4. 2014



Yasushi Fukaya

Director

Makita, Jan-Baptist Vinkstraat 2, 3070, Belgium

- | | | |
|--------------------------------------|--------------------------|------------------------------|
| 1. Levier | 10. Serrer | 19. Aspirateur |
| 2. Vis de serrage | 11. Flasque intérieur | 20. Tuyau |
| 3. Ligne de coupe (position sur 0°) | 12. Lame | 21. Garde parallèle |
| 4. Ligne de coupe (position sur 45°) | 13. Flasque extérieur | 22. Règle triangulaire |
| 5. Gâchette | 14. Boulon hexagonal | 23. Repère d'usage |
| 6. Bouton de sécurité | 15. Arbre de montage | 24. Tournevis |
| 7. Clé hexagonale | 16. Bague | 25. Bouchon de porte-charbon |
| 8. Blocage de l'arbre | 17. Raccord à poussières | |
| 9. Desserrer | 18. Vis | |

SPÉCIFICATIONS

Modèle		HS7601
Diamètre de la lame		190 mm
Profondeur de coupe max.	à 0°	66 mm
	à 45°	46 mm
Vitesse à vide		5 200 min ⁻¹
Longueur totale		309 mm
Poids net		4,0 kg
Niveau de sécurité		□/II

- Étant donné l'évolution constante de notre programme de recherche et de développement, les spécifications contenues dans ce manuel sont sujettes à des modifications sans préavis.
- Les spécifications peuvent varier suivant les pays.
- Poids conforme à la procédure EPTA 01/2003

Utilisations

ENE078-2

L'outil est conçu pour réaliser des coupes en longueur, des coupes transversales et des coupes d'onglet angulaires dans le bois en maintenant un contact ferme avec la pièce à travailler. Avec des lames d'origine Makita adaptées, il est également possible de couper d'autres matériaux.

Alimentation

ENF002-2

L'outil ne doit être raccordé qu'à une alimentation de la même tension que celle qui figure sur la plaque signalétique, et il ne peut fonctionner que sur un courant secteur monophasé. Réalisé avec une double isolation, il peut de ce fait être alimenté sans mise à la terre.

Consignes de sécurité générales des outils électriques

GEA010-1

⚠ AVERTISSEMENT Veuillez lire toutes les consignes de sécurité et les instructions. Il y a un risque de choc électrique, d'incendie et/ou de blessure grave si les consignes et les instructions ne sont pas toutes respectées.

Conservez toutes les consignes et instructions pour référence ultérieure.

AVERTISSEMENTS DE SÉCURITÉ CONCERNANT LA SCIE CIRCULAIRE

GEB013-7

Procédures de coupe

1. **⚠ DANGER** : Gardez vos mains à l'écart de la zone de coupe et de la lame. Laissez votre deuxième main sur la poignée auxiliaire ou le carter du moteur. Vous ne risquerez pas de vous coupez les mains si vous les utilisez toutes les deux pour tenir la scie.
2. **Ne placez aucune partie de votre corps sous la pièce à travailler.** Le carter de protection ne peut pas vous protéger de la lame sous la pièce à travailler.
3. **Régalez la profondeur de coupe selon l'épaisseur de la pièce à travailler.** La partie de la lame visible sous la pièce à travailler doit être moindre qu'une dent de lame complète.
4. **Ne tenez jamais la pièce avec les mains ou contre la jambe. Immobilisez la pièce à travailler contre une surface stable.** Il est important que la pièce soit soutenue correctement pour minimiser l'exposition du corps, les pincements de la lame et les pertes de contrôle.
Exemple typique d'une bonne prise, d'une pièce à travailler bien soutenue et du placement correct du cordon d'alimentation (le cas échéant). (Fig. 1)
5. **Saisissez l'outil électrique par ses surfaces de poigne isolées uniquement lorsque vous effectuez une opération au cours de laquelle l'outil de coupe peut entrer en contact avec des fils cachés ou avec son propre cordon d'alimentation.** Le contact avec un fil sous tension entraîne également la mise

sous tension des parties métalliques exposées de l'outil, risquant ainsi de provoquer un choc électrique chez l'utilisateur.

6. **Lors du sciage en long, utilisez toujours un garde parallèle ou un guide de coupe rectiligne.** La coupe sera plus précise et cela réduira les risques de pincement de la lame.
7. **Utilisez toujours des lames dont l'orifice central est de taille et de forme (diamantée ou circulaire) appropriées.** Si la lame utilisée n'est pas conçue pour la scie, elle tournera de manière excentrique et vous perdrez la maîtrise de l'outil.
8. **N'utilisez jamais de rondelles ou boulons endommagés ou inadéquats.** Les rondelles et le boulon ont été conçus exclusivement pour votre scie, afin d'assurer des performances optimales et une utilisation sûre.

Causes du choc en retour et avertissements afférents

- Le choc en retour est une réaction soudaine de l'outil lorsque la lame est coincée, pincée ou désalignée, et la scie, hors de contrôle, se soulève alors et se désolidarise de la pièce à travailler en se dirigeant vers l'utilisateur ;
- lorsque la lame se coince ou est pincée par le trait de scie qui se referme sur elle, elle se bloque et la réaction du moteur entraîne la projection de l'outil à grande vitesse vers l'opérateur ;
- si la lame se tord ou se désaligne par rapport à la ligne de coupe, les dents arrière risquent de creuser la surface supérieure du bois ; la lame sort alors du trait de scie et bondit vers l'utilisateur.

Le choc en retour est dû à une mauvaise utilisation de l'outil et/ou à des procédures ou conditions de travail inappropriées. Il peut être évité en prenant les mesures appropriées, telles que celles indiquées ci-dessous.

9. **Maintenez une poigne ferme à deux mains sur la scie, et placez vos bras de sorte qu'ils puissent résister à la force du choc en retour. Placez-vous d'un côté ou de l'autre de la lame, jamais dans sa ligne de coupe.** Le choc en retour peut faire bondir la scie vers l'arrière, mais l'opérateur pourra alors maîtriser la force du choc en retour s'il prend les précautions nécessaires.
10. **Si la lame se pince ou si vous interrompez la coupe pour une raison quelconque, libérez la gâchette et maintenez la scie immobile dans le matériau jusqu'à l'arrêt complet de la lame.** N'essayez jamais de retirer la scie de la pièce ou de la faire reculer alors que la lame tourne encore, au risque de provoquer un choc en retour. Identifiez la cause du pincement de la lame et prenez des mesures correctives pour éliminer ladite cause.
11. **Avant de redémarrer la scie dans la pièce à travailler, centrez la lame dans le trait de scie et assurez-vous que les dents ne pénètrent pas dans le matériau.** Si la lame se pince, elle risque de remonter jusqu'à l'opérateur ou de causer un choc en retour lors du redémarrage de l'outil.
12. **Placez un dispositif de soutien sous les grandes pièces pour réduire les risques de pincement de la lame et de choc en retour.** Les grandes pièces ont tendance à s'affaisser sous leur propre poids. Des dispositifs de soutien doivent être installés sous la

pièce, de chaque côté, près de la ligne de coupe et des bords de la pièce.

Pour éviter les chocs en retour, assurez un soutien à la planche ou à la pièce près de la ligne de coupe. (Fig. 2)

Ne placez pas le dispositif de soutien de la planche ou de la pièce loin de la ligne de coupe. (Fig. 3)

13. **N'utilisez pas de lames émoussées ou endommagées.** Les lames mal affûtées ou mal posées produisent un trait de scie étroit, entraînant une friction excessive, le pincement de la lame et un choc en retour.
14. **Serrez fermement et sûrement les leviers de verrouillage de la profondeur de la lame et du réglage en biseau avant de procéder à la coupe.** Il y a risque de pincement et de choc en retour si les réglages de la lame sont modifiés pendant la coupe.
15. **Faites preuve d'une extrême vigilance lorsque vous sciez dans des murs existants ou d'autres zones aveugles.** La lame saillante peut couper des objets et provoquer un choc en retour.
16. **Tenez TOUJOURS l'outil fermement à deux mains. NE posez JAMAIS votre main ou vos doigts derrière la scie.** En cas de choc en retour, la scie pourrait facilement sauter vers l'arrière et passer sur votre main, vous infligeant des blessures graves. (Fig. 4)
17. **Ne forcez jamais la scie. Faites avancer la scie à une vitesse permettant à la lame de tourner sans perte de vitesse.** Le fait de forcer la scie peut résulter en des coupes inégales, une perte de précision et un choc en retour.

Carter de protection inférieur

18. **Avant chaque utilisation, assurez-vous que le carter de protection inférieur ferme bien. N'utilisez pas la scie si le carter de protection inférieur ne se déplace pas librement et ne se referme pas immédiatement. Évitez d'immobiliser ou de fixer le carter de protection inférieur en position ouverte.** Le carter de protection inférieur risque de se plier si vous laissez échapper la scie par accident. Soulevez le carter de protection inférieur à l'aide de la poignée rétractable et assurez-vous qu'il se déplace librement sans entrer en contact avec la lame ou toute autre partie de la scie, quels que soient l'angle et la profondeur de coupe.
19. **Vérifiez le fonctionnement du ressort du carter de protection inférieur. Si le carter de protection et le ressort ne fonctionnent pas correctement, vous devez les réparer avant d'utiliser l'outil.** Le fonctionnement du carter de protection inférieur peut être ralenti par des pièces endommagées, des dépôts gluants ou une accumulation de débris.
20. **Le carter de protection inférieur peut être rétracté manuellement uniquement lors des coupes spéciales, comme par exemple les « coupes en plongées » et les « coupes composées ».** Soulevez le carter de protection inférieur à l'aide de la poignée rétractable et libérez-le dès que la lame entre en contact avec le matériau. Pour tout autre type de coupe, le carter de protection inférieur doit fonctionner automatiquement.

21. **Assurez-vous toujours que le carter de protection inférieur recouvre la lame avant de poser la scie sur l'établi ou le plancher.** Si vous ne couvrez pas la lame à l'aide du carter de protection, la scie risque de se déplacer vers l'arrière en coupant tout ce qui se trouve sur sa trajectoire. N'oubliez pas qu'un délai est nécessaire avant l'arrêt de la lame une fois la gâchette relâchée.
22. **Pour vérifier que le carter de protection inférieur se referme bien, ouvrez-le manuellement et relâchez-le. Assurez-vous également que la poignée rétractable ne touche pas le carter de l'outil.** Une lame exposée est TRÈS DANGEREUSE et peut causer de graves blessures.

Autres avertissements de sécurité

23. **Faites preuve d'une extrême prudence lorsque vous coupez du bois mouillé, du bois traité sous pression ou du bois qui contient des nœuds.** Laissez l'outil avancer en douceur sans diminuer la vitesse de la lame pour éviter la surchauffe de son extrémité.
24. **N'essayez pas de retirer le matériau coupé pendant que la lame tourne. Attendez que la lame s'arrête avant de saisir le matériau coupé.** Les lames continuent de bouger après la mise hors tension.
25. **Évitez de couper les clous. Avant de couper du bois de construction, inspectez-le et retirez-en tous les clous.**
26. **Placez la partie la plus large du socle de la scie sur la partie de la pièce à travailler qui est solidement soutenue, non sur celle qui tombera une fois la coupe terminée.** À titre d'exemples, la Fig. 5 illustre la BONNE façon de couper l'extrémité d'une planche, tandis que la Fig. 6 illustre la MAUVAISE façon. Si la pièce à travailler est courte ou petite, placez-la dans un dispositif de serrage. **N'ESSAYEZ PAS DE MAINTENIR LES PETITES PIÈCES AVEC LA MAIN !**
27. **Avant de déposer l'outil une fois la coupe terminée, assurez-vous que le carter de protection inférieur est fermé et que la lame est parfaitement immobile.**
28. **N'essayez jamais de scier en plaçant la scie circulaire à l'envers dans un étau. Cela est très dangereux et peut entraîner des accidents graves.** (Fig. 7)
29. **Certains matériaux contiennent des produits chimiques qui peuvent être toxiques. Veillez à éviter toute inhalation de poussière et tout contact avec la peau. Respectez les instructions de sécurité du fournisseur du matériel.**
30. **N'appliquez jamais de pression latérale sur la lame pour l'arrêter.**
31. **N'utilisez pas de disques abrasifs.**
32. **Utilisez uniquement une lame dont le diamètre est conforme aux indications figurant sur l'outil ou spécifiés dans le manuel.** Une lame de dimensions incorrectes risque de ne pas être protégée correctement ou de perturber le fonctionnement du carter, provoquant des blessures corporelles graves.
33. **Maintenez la lame bien affûtée et propre.** Les dépôts de colle et les copeaux de bois qui durcissent contre la lame ralentissent la scie et augmentent les

risques de choc en retour. Pour nettoyer la lame, retirez-la d'abord de l'outil, puis nettoyez-la avec un décapant, de l'eau chaude ou du kérosène. N'utilisez jamais d'essence.

34. **Portez un masque anti-poussière et des protections d'oreilles lorsque vous utilisez l'outil.**

CONSERVEZ CES INSTRUCTIONS.

⚠ AVERTISSEMENT :
NE vous laissez PAS tromper (au fil d'une utilisation répétée) par un sentiment d'aisance et de familiarité avec le produit, en négligeant le respect rigoureux des consignes de sécurité qui accompagnent l'outil. Une UTILISATION INCORRECTE de l'outil ou le non-respect des consignes de sécurité indiquées dans ce manuel d'instructions peuvent causer des blessures graves.

DESCRIPTION DU FONCTIONNEMENT

- ⚠ ATTENTION :**
- Assurez-vous toujours que l'outil est éteint et débranché avant de le régler ou vérifier son fonctionnement.

Réglage de la profondeur de coupe

- ⚠ ATTENTION :**
- Après avoir réglé la profondeur de coupe, serrez toujours fermement le levier. (Fig. 8)
- Desserrez le levier sur le guide de profondeur et déplacez le socle vers le haut ou le bas. Lorsque vous avez obtenu la profondeur de coupe souhaitée, fixez le socle en serrant le levier.
- Pour obtenir des coupes plus propres et les effectuer de manière plus sûre, réglez la profondeur de coupe de sorte qu'une dent de lame au maximum dépasse sous la pièce. Une profondeur de coupe adéquate permet de réduire les risques de CHOCS EN RETOUR dangereux susceptibles de provoquer des blessures.

Coupe en biseau (Fig. 9 et 10)

Desserrez les vis de serrage. Réglez selon l'angle désiré (0° à 45°) en inclinant l'outil, puis serrez fermement les vis de serrage.

Visée (Fig. 11)

Pour les coupes rectilignes, alignez la position à 0° à l'avant du socle sur la ligne de coupe. Pour les coupes en biseau à 45°, alignez la position à 45° sur la ligne de coupe.

Fonctionnement de la gâchette

- ⚠ ATTENTION :**
- Avant de brancher l'outil, vérifiez toujours que la gâchette fonctionne correctement et revient en position d'arrêt (OFF) lorsqu'elle est relâchée.
 - N'appuyez pas fortement sur la gâchette sans avoir d'abord enfoncé le bouton de sécurité. Vous risqueriez de casser la gâchette. (Fig. 12)

Pour éviter tout déclenchement accidentel de la gâchette, l'outil est muni d'un bouton de sécurité.

Pour démarrer l'outil, enfoncez le bouton de sécurité, puis appuyez sur la gâchette. Pour l'arrêter, relâchez la gâchette.

⚠ AVERTISSEMENT :

- Pour assurer votre sécurité, cet outil est doté d'un bouton de sécurité qui empêche le démarrage accidentel de l'outil. N'utilisez JAMAIS l'outil s'il se met en marche lorsque vous appuyez simplement sur la gâchette sans avoir appuyé sur le bouton de sécurité. Renvoyez l'outil à un centre de service après-vente Makita pour le faire réparer AVANT toute autre utilisation.
- Le bouton de sécurité NE doit JAMAIS être immobilisé avec du ruban adhésif, ni condamné.

MONTAGE

⚠ ATTENTION :

- Assurez-vous toujours que l'outil est éteint et débranché avant de le régler ou vérifier son fonctionnement.

Retrait ou installation de la lame

⚠ ATTENTION :

- Assurez-vous que la lame est installée avec les dents orientées vers le haut à l'avant de l'outil.
- Utilisez exclusivement une clé Makita pour installer ou retirer la lame.

Pour retirer la lame, appuyez sur le blocage de l'arbre, de sorte que la lame ne puisse pas tourner, et desserrez le boulon hexagonal à l'aide de la clé hexagonale, en tournant dans le sens inverse des aiguilles d'une montre. Retirez ensuite le boulon hexagonal, le flasque extérieur et la lame. (Fig. 13)

Lorsque vous changez de lame, veillez également à retirer la sciure de bois accumulée sur les carters de protection supérieur et inférieur. Vous devez également vérifier le bon fonctionnement du carter de protection inférieur avant chaque utilisation. (Fig. 14)

Pour les outils comportant un flasque intérieur adapté à une lame dont l'orifice du diamètre est différent de 15,88 mm (Fig. 15)

Le flasque intérieur possède une partie saillante d'un certain diamètre sur l'un de ses côtés et une partie saillante d'un diamètre différent sur l'autre côté. Choisissez un côté sur lequel la partie saillante s'adapte parfaitement dans l'orifice de la lame. Ensuite, installez le flasque intérieur sur l'arbre de montage, de sorte que le côté de la partie saillante sur le flasque intérieur soit orienté vers l'extérieur, puis installez la lame et le flasque extérieur.

ASSUREZ-VOUS D'AVOIR FERMEMENT SERRÉ LE BOULON HEXAGONAL EN TOURNANT DANS LE SENS DES AIGUILLES D'UNE MONTRE.

⚠ ATTENTION :

- Vérifiez que la partie saillante « a » sur le flasque intérieur situé à l'extérieur s'adapte parfaitement dans l'orifice « a » de la lame. Le montage de la lame du mauvais côté peut provoquer des vibrations dangereuses.

Pour les outils comportant un flasque intérieur adapté à une lame dont l'orifice du diamètre est de 15,88 mm (selon les pays) (Fig. 16 et 17)

Installez le flasque intérieur en orientant son côté creux vers l'extérieur sur l'arbre de montage, puis installez la lame (après avoir fixé la bague au besoin), le flasque extérieur et le boulon hexagonal.

ASSUREZ-VOUS D'AVOIR FERMEMENT SERRÉ LE BOULON HEXAGONAL EN TOURNANT DANS LE SENS DES AIGUILLES D'UNE MONTRE.

⚠ AVERTISSEMENT :

- **Avant de monter la lame sur l'axe, assurez-vous toujours d'avoir installé, entre les flasques intérieur et extérieur, la bonne bague pour l'alésage central de la lame que vous prévoyez d'utiliser.** L'utilisation d'une bague d'alésage incorrecte peut entraîner un montage incorrect de la lame, provoquant un mouvement de la lame ainsi que d'importantes vibrations susceptibles d'entraîner une perte de contrôle pendant le fonctionnement ainsi que de graves blessures corporelles.

Rangement de la clé hexagonale (Fig. 18)

Lorsque vous n'utilisez pas la clé hexagonale, rangez-la comme illustré sur la figure pour éviter de la perdre.

Raccordement à un aspirateur (accessoire en option) (Fig. 19 et 20)

Pour effectuer un travail plus propre, raccordez un aspirateur Makita à votre outil. Installez le raccord à poussières sur l'outil à l'aide de la vis. Connectez ensuite le tuyau de l'aspirateur au raccord à poussières, comme illustré sur la figure.

FONCTIONNEMENT

⚠ ATTENTION :

- Vous devez faire avancer l'outil doucement, en ligne droite. Le fait de forcer ou de tordre l'outil entraîne une surchauffe du moteur et un dangereux choc en retour, susceptibles de causer de graves blessures.
- Utilisez toujours la poignée avant et la poignée arrière et tenez fermement l'outil par la poignée avant et la poignée arrière pendant l'utilisation. (Fig. 21)

Tenez l'outil fermement. L'outil est doté d'une poignée avant et d'une poignée arrière. Tenez l'outil par ses deux poignées. Vous ne risquez pas de vous couper les mains si vous les utilisez toutes les deux pour tenir la scie. Placez le socle de l'outil sur la pièce à travailler, de sorte que la lame n'entre en contact avec aucun objet. Mettez ensuite l'outil sous tension et attendez que la lame ait atteint sa pleine vitesse. Ensuite, déplacez simplement l'outil vers l'avant sur la surface de la pièce à travailler, en le maintenant bien à plat et en le faisant avancer doucement, jusqu'à ce que la coupe soit terminée. Pour des coupes propres, évitez de dévier de la ligne de coupe et faites avancer l'outil à une vitesse régulière. Si la lame dévie de la ligne de coupe prévue, ne tentez pas de modifier la course de l'outil pour le forcer à revenir sur la ligne de coupe. Vous risqueriez de plier la lame et de provoquer un dangereux choc en retour, voire des blessures graves. Relâchez la gâchette, attendez l'arrêt complet de la lame, puis retirez l'outil. Réalignez l'outil sur

une nouvelle ligne de coupe, puis poursuivez la coupe. Évitez de vous exposer aux copeaux et sciures de bois projetés par la scie. Portez des lunettes de protection pour réduire les risques de blessure.

Garde parallèle (règle de guidage) (accessoire en option) (Fig. 22)

Le garde parallèle est pratique pour effectuer des coupes droites avec une très grande précision. Faites simplement glisser le garde parallèle le long du bord de la pièce en le maintenant en position à l'aide de la vis de serrage qui se trouve à l'avant du socle. Cela permet également d'effectuer plusieurs coupes d'une largeur uniforme.

ENTRETIEN

⚠ ATTENTION :

- Assurez-vous toujours que l'appareil est éteint et débranché avant d'effectuer tout travail d'inspection ou d'entretien.
- Nettoyez les carters de protection supérieur et inférieur afin de vous assurer que de la sciure de bois ne s'est pas accumulée et ne risque pas d'empêcher le fonctionnement du système de protection inférieur.** Un système de protection sale peut perturber le fonctionnement et provoquer de graves blessures corporelles. Le nettoyage le plus efficace doit être réalisé avec de l'air comprimé. **En cas de projection de poussière au niveau des carters de protection, veuillez à utiliser des lunettes et un masque adaptés.**
- N'utilisez jamais d'essence, de benzine, de diluant, d'alcool ou de produit similaire. Ces produits risquent de provoquer des décolorations, des déformations ou des fissures.

Réglage du parallélisme (Fig. 23)

Le parallélisme entre la lame et le socle a été réglé en usine. Mais s'il est incorrect, vous pouvez le régler en procédant comme suit.

Assurez-vous que tous les leviers et toutes les vis sont serrés. Desserrez légèrement la vis, comme illustré. Tout en ouvrant le carter de protection inférieur, déplacez l'arrière du socle, de sorte que la distance entre A et B soit identique. Après avoir procédé au réglage, serrez la vis. Effectuez une coupe test pour obtenir un parallélisme correct.

Réglage de la précision de coupe à 0° (Fig. 24 et 25)

Ce réglage est effectué en usine. S'il est incorrect, ajustez les vis de réglage au moyen d'une clé hexagonale, en vous assurant que la lame est sur un angle de 0° par rapport au socle, avec une règle triangulaire, une équerre de menuisier, etc.

Remplacement des charbons (Fig. 26)

Retirez et vérifiez les charbons régulièrement. Remplacez-les lorsqu'ils atteignent le repère d'usure. Maintenez les charbons propres et en état de glisser aisément dans les porte-charbons. Les deux charbons doivent être remplacés en même temps. N'utilisez que des charbons identiques.

Retirez les bouchons des porte-charbons à l'aide d'un tournevis. Enlevez les charbons usés, insérez-en de nouveaux et revissez solidement les bouchons des porte-charbons. (Fig. 27)

Pour garantir la SÉCURITÉ et la FIABILITÉ du produit, les réparations ainsi que tout autre travail d'entretien ou de réglage doivent être effectués dans un centre d'entretien Makita agréé, exclusivement avec des pièces de rechange Makita.

ACCESSOIRES FOURNIS EN OPTION

⚠ ATTENTION :

- Ces accessoires ou pièces complémentaires sont recommandés pour être utilisés avec l'outil Makita spécifié dans ce mode d'emploi. L'utilisation de tout autre accessoire ou pièce complémentaire peut comporter un risque de blessure. N'utilisez les accessoires ou pièces qu'aux fins auxquelles ils ont été conçus.

Pour obtenir plus de détails sur ces accessoires, contactez votre Centre de service local Makita.

- Lames
- Garde parallèle (règle de guidage)
- Rail de guidage
- Adaptateur pour rail de guidage
- Tige graduée
- Raccord à poussières
- Clé hexagonale

REMARQUE :

- Certains éléments de la liste peuvent être inclus en tant qu'accessoires standard dans le coffret de l'outil envoyé. Ils peuvent varier suivant les pays.

Bruit

ENG905-1

Les niveaux de bruit pondéré A typiques ont été mesurés selon la norme EN60745 :

Niveau de pression sonore (L_{pA}) : 87 dB (A)

Niveau de puissance sonore (L_{WA}) : 98 dB (A)

Incertitude (K) : 3 dB (A)

Portez des protections auditives.

Vibrations

ENG900-1

La valeur totale de vibration (somme du vecteur triaxial) a été déterminée selon la norme EN60745 :

Mode de fonctionnement : découpe de bois

Émission des vibrations ($a_{h,w}$) : 2,5 m/s² au maximum

Incertitude (K) : 1,5 m/s²

ENG901-1

- La valeur de l'émission des vibrations déclarée a été mesurée conformément à la méthode de test standard et peut être utilisée afin de comparer des outils entre eux.
- La valeur de l'émission des vibrations déclarée peut également être utilisée lors d'une évaluation préliminaire de l'exposition.

⚠ AVERTISSEMENT :

- Selon la manière dont l'outil est utilisé, il est possible que l'émission des vibrations pendant l'utilisation réelle de l'outil électrique diffère de la valeur de l'émission déclarée.

- Veuillez à identifier les mesures de sécurité destinées à protéger l'opérateur et établies en fonction de l'estimation de l'exposition dans les conditions réelles d'utilisation (en prenant en compte toutes les étapes du cycle de fonctionnement, telles que les périodes de mise hors tension de l'outil, les périodes de fonctionnement au ralenti et les périodes de mise en route).

Pour les pays d'Europe uniquement ENH101-18

Déclaration de conformité CE

Makita déclare que la/les machine(s) suivante(s) :

Nom de la machine :

Scie Circulaire

N° de modèle/Type : HS7601

sont conformes aux directives européennes suivantes :

2006/42/CE

sont produites conformément aux normes ou documents de normalisation suivants :

EN60745

Le dossier technique conforme à la norme 2006/42/CE est disponible auprès de :

Makita, Jan-Baptist Vinkstraat 2, 3070, Belgique

21. 4. 2014



Yasushi Fukaya

Directeur

Makita, Jan-Baptist Vinkstraat 2, 3070, Belgique

DEUTSCH (Originalanweisungen)

Erklärung der Gesamtdarstellung

- | | | |
|--------------------------------|-----------------------|------------------------|
| 1. Hebel | 10. Festziehen | 19. Absauggerät |
| 2. Klemmschraube | 11. Innenflansch | 20. Schlauch |
| 3. Schnittlinie (0°-Position) | 12. Sägeblatt | 21. Parallelenschlag |
| 4. Schnittlinie (45°-Position) | 13. Außenflansch | 22. Einstelldreieck |
| 5. Ein/Aus-Schalter | 14. Sechskantschraube | 23. Verschleißgrenze |
| 6. Entriegelungsknopf | 15. Montageschaft | 24. Schraubendreher |
| 7. Innensechskantschlüssel | 16. Ring | 25. Bürstenhalterkappe |
| 8. Spindelarreterung | 17. Absaugstutzen | |
| 9. Lösen | 18. Schraube | |

TECHNISCHE DATEN

Modell	HS7601	
Sägeblatt-Durchmesser	190 mm	
Max. Schnitttiefe	bei 0°	66 mm
	bei 45°	46 mm
Leerlaufdrehzahl	5.200 min ⁻¹	
Gesamtlänge	309 mm	
Nettogewicht	4,0 kg	
Schutzklasse	□/II	

- Aufgrund unserer beständigen Forschungen und Weiterentwicklungen sind Änderungen an den hier angegebenen Technischen Daten ohne Vorankündigung vorbehalten.
- Die Technischen Daten können in den einzelnen Ländern voneinander abweichen.
- Gewicht entsprechend EPTA-Verfahren 01/2003

Verwendungszweck ENE078-2

Das Werkzeug eignet sich für Längs- und Querschnitte sowie Gehrungsschnitte mit Winkeln, die in Holz bei engem Kontakt zum Werkstück durchgeführt werden. Mit geeigneten Original-Sägeblättern von Makita können auch andere Materialien gesägt werden.

Stromversorgung ENF002-2

Das Werkzeug darf nur an eine Stromversorgung mit Einphasen-Wechselstrom mit der auf dem Typenschild angegebenen Spannung angeschlossen werden. Das Werkzeug verfügt über ein doppelt isoliertes Gehäuse und kann daher auch an einer Stromversorgung ohne Schutzkontakt betrieben werden.

Allgemeine Sicherheitshinweise für Elektrowerkzeuge GEA010-1

⚠️ WARNUNG Lesen Sie alle Sicherheitshinweise und Anweisungen sorgfältig durch. Wenn die Hinweise und Anweisungen nicht beachtet werden, besteht die Gefahr eines Stromschlags, Brands und/oder das Risiko von ernsthaften Verletzungen.

Bewahren Sie alle Hinweise und Anweisungen zur späteren Referenz gut auf.

SICHERHEITSHINWEISE ZUR HANDKREISSÄGE GEB013-7

Schneidverfahren

1. **⚠️ GEFAHR: Halten Sie Ihre Hände fern vom Schneidebereich und vom Sägeblatt. Legen Sie Ihre andere Hand auf dem Zusatzgriff oder auf dem Motorgehäuse ab.** Nur mit beiden Händen an der Säge können Sie Schnittverletzungen der Hände durch das Sägeblatt vermeiden.
2. **Fassen Sie niemals unter das Werkstück.** Die Schutzvorrichtung bietet unter dem Werkstück keinen Schutz vor dem Sägeblatt.
3. **Passen Sie die Schnitttiefe an die Werkstückdicke an.** Unter dem Werkstück darf nicht mehr als ein kompletter Sägezahn des Sägeblatts sichtbar sein.
4. **Halten Sie das zu schneidende Werkstück niemals in Ihren Händen und legen Sie es niemals quer über Ihre Beine. Sichern Sie das Werkstück auf einer stabilen Unterlage.** Es ist wichtig, dass Sie das Werkstück ordnungsgemäß abstützen, um Verletzungen, ein Verkanten des Sägeblatts oder den Verlust der Kontrolle zu vermeiden.
Typische Abbildung einer richtigen Handhaltung, Werkstückabstützung und Kabelführung (falls relevant). (Abb. 1)
5. **Halten Sie das Elektrowerkzeug ausschließlich an den isolierten Griffflächen fest, wenn Sie Arbeiten ausführen, bei denen das Schneidwerkzeug auf nicht sichtbare Stromkabel oder auf das eigene Kabel treffen kann.** Bei Kontakt mit einem stromführenden Kabel fließt der Strom durch die Metallteile des Elektrowerkzeugs und wird durch den

Bediener abgeleitet, wodurch der Bediener einen Stromschlag erleidet.

6. **Verwenden Sie bei Längsschnitten immer einen Parallelanschlag oder eine Führungsschiene.** Dies verbessert die Präzision des Schnitts und verringert die Gefahr eines Verkantens des Sägeblatts.
7. **Verwenden Sie stets Sägeblätter in der richtigen Größe und Form (Raute bzw. Kreis) des Aufnahme Lochs.** Sägeblätter, die nicht zu den Montageteilen der Säge passen, laufen exzentrisch und führen zum Kontrollverlust.
8. **Verwenden Sie niemals defekte oder vom Originalteil abweichende Sägeblatt-Unterlegscheiben oder -Schrauben.** Die Sägeblatt-Unterlegscheiben und Schrauben wurden eigens für Ihre Säge entwickelt, um einen Betrieb mit optimaler Leistung und Sicherheit zu gewährleisten.

Ursachen für Rückschlag und entsprechende Warnhinweise

- Ein Rückschlag entsteht als plötzliche Reaktion auf ein eingeklemmtes, fest sitzendes oder falsch ausgerichtete Sägeblatt und führt zum unkontrollierten Springen der Säge aus dem Werkstück in Richtung Bediener.
- Wenn sich das Sägeblatt verklemmt oder durch die sich nach unten verengende Sägefuge fest erfasst wird, stoppt das Sägeblatt plötzlich, und die Motorkraft lässt die Säge schnell in Richtung des Bedieners springen.
- Wenn sich das Sägeblatt im Schnitt verdreht oder verschiebt, können die Zähne an der hinteren Kante des Sägeblatts in die Oberfläche des Holzes eingreifen. Dies kann dazu führen, dass das Sägeblatt aus der Sägefuge tritt und zurück in Richtung des Bedieners springt.

Rückschläge werden durch eine falsche Handhabung der Säge und/oder unsachgemäßes Vorgehen oder unsachgemäße Arbeitsbedingungen verursacht und können durch die im Folgenden aufgeführten Maßnahmen vermieden werden.

9. **Halten Sie die Säge stets mit beiden Händen gut fest und legen Sie Ihre Arme so an, dass Sie Rückschläge abfangen können. Stellen Sie sich seitlich zum Sägeblatt hin; niemals in einer Linie mit dem Sägeblatt.** Bei einem Rückschlag kann die Säge plötzlich nach hinten springen. Derartige Rückschlagkräfte können jedoch durch geeignete Maßnahmen des Bedieners abgefangen werden.
10. **Wenn sich das Sägeblatt verkantet oder Sie den Sägevorgang aus irgendeinem Grund unterbrechen, müssen Sie den Auslöser loslassen und die Säge bewegungslos bis zum kompletten Stillstand des Sägeblatts im Material festhalten. Versuchen Sie niemals, bei laufendem Sägeblatt die Säge aus dem Werkstück zu entfernen oder sie nach hinten herauszuziehen, da dies zu einem Rückschlag führen kann.** Überprüfen Sie die Ursache für das Verkanten des Sägeblatts und ergreifen Sie Korrekturmaßnahmen.
11. **Wenn Sie eine sich im Schnitt befindende Säge wieder einschalten, müssen Sie das Sägeblatt mittig im Sägeschlitz halten und darauf achten, dass die Sägezähne nicht in das Material greifen.** Falls das Sägeblatt verkantet ist, kann es beim

Wiedereinschalten der Säge hochspringen oder vom Werkstück zurückschlagen.

12. **Große Werkstücke müssen abgestützt werden, um die Gefahr des Einklemmens des Sägeblatts oder eines Rückschlags zu vermeiden.** Große Werkstücke können sich unter ihrem eigenen Gewicht durchbiegen. Unter dem Werkstück sind nahe der Schnittlinie und nahe den Werkstückkanten beidseitig Stützen zu platzieren.
Zum Vermeiden eines Rückschlags stützen Sie das Brett oder das Werkstück nahe der Schnittstelle ab. (Abb. 2)
Stützen Sie das Brett oder Werkstück nicht zu weit von der Schnittstelle ab. (Abb. 3)
 13. **Verwenden Sie keine stumpfen oder beschädigten Sägeblätter.** Stumpfe oder falsch eingesetzte Sägeblätter führen zu einer sehr engen Schnittfuge, die eine hohe Reibung, ein Verkanten des Sägeblatts und einen Rückschlag zur Folge haben können.
 14. **Stellen Sie vor Arbeitsbeginn sicher, dass die Feststellhebel für die Sägeblatttiefe und die Gehrungseinstellung fest angezogen sind.** Wenn sich die Einstellung des Sägeblatts beim Sägen verschiebt, kann dies zum Verkanten oder zu einem Rückschlag des Sägeblatts führen.
 15. **Seien Sie besonders vorsichtig, wenn Sie einen Schnitt in Wände oder andere nicht einsehbare Bereiche ausführen.** Das vordringende Sägeblatt schneidet möglicherweise in Gegenstände, die einen Rückschlag verursachen können.
 16. **Halten Sie das Werkzeug STETS mit beiden Händen gut fest. Halten Sie NIEMALS Ihre Hand oder Ihre Finger hinter der Säge.** Im Fall eines Rückschlags kann die Säge unter Umständen über Ihre Hand zurückspringen und schwere Verletzungen verursachen. (Abb. 4)
 17. **Wenden Sie beim Sägen niemals Gewalt an. Schieben Sie die Säge mit einer Geschwindigkeit vor, die einen verzögerungsfreien Sägeblattbetrieb ermöglicht.** Ein zu starkes Drücken der Säge kann zu unebenen Schnitten, zu Ungenauigkeiten und möglicherweise zu Rückschlägen führen.
- #### **Funktion der beweglichen Schutzhaube**
18. **Prüfen Sie vor jeder Inbetriebnahme, dass die bewegliche Schutzhaube korrekt schließt. Verwenden Sie die Säge niemals, wenn sich die Schutzhaube nicht ungehindert bewegen und nicht unverzüglich schließen lässt. Die bewegliche Schutzhaube darf niemals in der geöffneten Stellung festgeklemmt oder festgebunden werden.** Wenn Sie die Säge versehentlich fallen lassen, kann sich die bewegliche Schutzhaube verbiegen. Ziehen Sie zum Öffnen der beweglichen Schutzhaube den Hebel nach hinten und stellen Sie sicher, dass die Haube frei beweglich ist und bei allen Schnittwinkeln und Schnitttiefen weder das Sägeblatt noch irgendein anderes Teil berührt.
 19. **Überprüfen Sie die Funktion der Feder für die bewegliche Schutzhaube. Wenn Schutzhaube und/oder Feder nicht ordnungsgemäß funktionieren, müssen diese vor der Inbetriebnahme repariert werden.** Die bewegliche Schutzhaube kann aufgrund von beschädigten Teilen, klebrigen Rückständen oder

Ablagerungen unter Umständen in ihrer Funktionsweise beeinträchtigt sein.

20. **Die bewegliche Schutzhaube darf nur für spezielle Schnitte wie z. B. „Tauschnitt“ und „Kombinationsschnitt“ von Hand zurückgeschoben werden. Ziehen Sie zum Öffnen der beweglichen Schutzhaube den Hebel nach hinten und lassen Sie den Hebel los, sobald das Sägeblatt in das Material eindringt.** Für alle anderen Sägearbeiten muss die bewegliche Schutzhaube automatisch betätigt werden.
21. **Achten Sie stets darauf, dass die bewegliche Schutzhaube das Sägeblatt abdeckt, bevor Sie die Säge auf die Werkbank oder den Boden legen.** Ein ungeschütztes, noch nachlaufendes Sägeblatt führt dazu, dass die Säge nach hinten läuft und dabei alles zersägt, was ihr im Weg steht. Beachten Sie, dass das Sägeblatt nach dem Loslassen des Schalters einige Zeit nachläuft, bevor es zum Stillstand kommt.
22. **Für die Funktionsprüfung der beweglichen Schutzhaube öffnen Sie diese von Hand, lassen Sie sie los und beobachten Sie das Schließverhalten. Stellen Sie auch sicher, dass der zurückschiebbare Griff des Werkzeuggehäuse nicht berührt.** Ein frei liegendes Sägeblatt ist SEHR GEFÄHRLICH und kann zu schweren Verletzungen führen.

Zusätzliche Sicherheitshinweise

23. **Gehen Sie beim Sägen von feuchtem Holz, unter Spannung stehendem Bruchholz oder von Holz, das Astknoten enthält, besonders vorsichtig vor.** Stellen Sie die Schnittgeschwindigkeit so ein, dass ein gleichbleibender Vorschub des Werkzeugs ohne eine Verringerung der Sägeblattdrehzahl möglich ist, um eine Überhitzung der Sägeblattspitzen zu vermeiden.
24. **Versuchen Sie niemals, abgesägtes Material zu entfernen, während das Sägeblatt läuft. Warten Sie bis zum Stillstand des Sägeblatts, bevor Sie abgesägtes Material entfernen.** Sägeblätter laufen nach dem Ausschalten nach.
25. **Achten Sie darauf, nicht in Nägel zu schneiden. Untersuchen Sie das Werkstück auf Nägel und entfernen Sie diese vor Beginn der Arbeiten.**
26. **Setzen Sie die Säge mit der großen Auflagefläche des Gleitschuhs auf den fest abgestützten Teil des Werkstücks auf und nicht auf das abzuschneidende Material. Als Beispiele zeigen Abb. 5 die RICHTIGE und Abb. 6 die FALSCH E Methode für das Absägen des Brettendes. Spannen Sie kurze und kleine Werkstücke ein. VERSUCHEN SIE NIEMALS, KURZE WERKSTÜCKE MIT DER HAND ZU HALTEN!**
27. **Warten Sie nach dem Bearbeitungsvorgang, bis das Sägeblatt zum Stillstand gekommen ist. Überprüfen Sie, ob die Schutzhaube geschlossen ist und setzen Sie erst danach das Werkzeug ab.**
28. **Spannen Sie niemals die Säge nach unten gerichtet in einen Schraubstock ein, um so damit zu sägen. Dies ist äußerst gefährlich und kann zu schweren Unfällen führen. (Abb. 7)**
29. **Einige Materialien enthalten Chemikalien, die möglicherweise giftig sind. Vermeiden Sie das Einatmen von Staub und den Hautkontakt mit diesen Materialien. Beachten Sie die**

Sicherheitshinweise und Sicherheitsdatenblätter der Materialhersteller.

30. **Bremsen Sie den Sägeblatt nicht durch seitlichen Druck auf das Sägeblatt ab.**
31. **Verwenden Sie keine Schleifscheiben.**
32. **Verwenden Sie ausschließlich Sägeblätter mit dem auf dem Werkzeug oder in der Bedienungsanleitung angegebenen Durchmesser.** Die Verwendung eines Sägeblattes falscher Größe kann dazu führen, dass das Sägeblatt nicht ordnungsgemäß geschützt oder die Funktion der Schutzhaube beeinträchtigt wird, was schwere Verletzungen zur Folge haben kann.
33. **Verwenden Sie nur scharfe und saubere Sägeblätter.** Angetrocknete Harz- und Holzreste auf dem Sägeblatt reduzieren die Drehzahl der Säge und erhöhen die Gefahr von Rückschlägen. Halten Sie das Sägeblatt sauber, indem Sie es aus dem Werkzeug ausbauen und mit einem Harz- und Teerentferner, heißem Wasser oder Waschbenzin reinigen. Verwenden Sie niemals Benzin.
34. **Tragen Sie bei der Arbeit eine Staubmaske und Gehörschutz.**

BEWAHREN SIE DIESE ANWEISUNGEN SORGFÄLTIG AUF.

⚠️ WARNUNG:

Lassen Sie sich NIE durch Bequemlichkeit oder (aus fortwährendem Gebrauch gewonnener) Vertrautheit mit dem Werkzeug dazu verleiten, die Sicherheitsregeln für das Werkzeug zu missachten. Bei MISSBRÄUCLICHER Verwendung des Werkzeugs oder bei Missachtung der in diesem Handbuch enthaltenen Sicherheitshinweise kann es zu schweren Verletzungen kommen.

FUNKTIONSBESCHREIBUNG

⚠️ ACHTUNG:

- Schalten Sie das Werkzeug stets aus und ziehen Sie den Netzstecker, bevor Sie Einstellungen oder eine Funktionsprüfung am Werkzeug vornehmen.

Einstellen der Schnitttiefe

⚠️ ACHTUNG:

- Ziehen Sie den Hebel nach der Einstellung der Schnitttiefe stets fest an. (Abb. 8)

Lösen Sie den Hebel an der Tiefenführung und bewegen Sie den Gleitschuh nach oben oder unten. Arretieren Sie den Gleitschuh durch Festziehen des Hebels an der gewünschten Schnitttiefe.

Stellen Sie für einen sauberen, sicheren Schnitt die Schnitttiefe so ein, dass nur maximal ein Sägeblattzahn unter dem Werkstück herausragt. Die Verwendung der richtigen Schnitttiefe minimiert die Gefahr von RÜCKSCHLÄGEN, die zu Verletzungen führen können.

Gehrungsschnitte (Abb. 9 und 10)

Lösen Sie die Klemmschrauben. Stellen Sie den gewünschten Werkzeugwinkel (0° bis 45°) ein und ziehen Sie anschließend die Klemmschrauben fest an.

Schnittausrichtung (Abb. 11)

Für Geradschnitte richten Sie die an der Vorderseite des Gleitschuhs befindliche Position 0° auf Ihre Schnittlinie aus. Für 45°-Gehungsschnitte richten Sie die an der Vorderseite des Gleitschuhs befindliche Position 45° auf Ihre Schnittlinie aus.

Einschalten

⚠ ACHTUNG:

- Achten Sie vor dem Einstecken des Werkzeugnetzsteckers in die Steckdose darauf, dass sich der Ein/Aus-Schalter korrekt bedienen lässt und beim Loslassen in die Position „OFF“ (AUS) zurückkehrt.
- Drücken Sie niemals (mit Gewalt) den Ein/Aus-Schalter, ohne dabei den Entriegelungsknopf zu betätigen. Dadurch kann der Schalter beschädigt werden. (Abb. 12)

Damit der Ein/Aus-Schalter nicht versehentlich betätigt werden kann, ist das Werkzeug mit einem Entriegelungsknopf ausgestattet.

Um das Werkzeug zu starten, müssen Sie zuerst den Entriegelungsknopf drücken und anschließend den Ein-/Aus-Schalter. Lassen Sie zum Ausschalten des Werkzeugs den Ein/Aus-Schalter los.

⚠ WARNUNG:

- Zu Ihrer Sicherheit ist dieses Werkzeug mit einem Entriegelungsknopf ausgestattet, der einen versehentlichen Werkzeugstart verhindert. Verwenden Sie NIEMALS das Werkzeug, wenn es sich durch einfaches Betätigen des EIN/AUS-Schalters starten lässt, ohne dass Sie vorher den Entriegelungsknopf drücken müssen. Geben Sie VOR dem weiteren Gebrauch das Werkzeug an ein Makita-Servicecenter, um es dort ordnungsgemäß reparieren zu lassen.
- Verkleben oder verändern Sie NIEMALS den Entriegelungsknopf, um dessen Zweck und Funktion zu umgehen.

MONTAGE

⚠ ACHTUNG:

- Schalten Sie das Werkzeug stets aus und ziehen Sie den Netzstecker, bevor Sie Einstellungen oder eine Funktionsprüfung am Werkzeug vornehmen.

Montieren und Demontieren des Sägeblatts

⚠ ACHTUNG:

- Montieren Sie das Sägeblatt so, dass die Zähne an der Vorderseite der Maschine nach oben gerichtet sind.
- Verwenden Sie zum Demontieren oder Montieren des Sägeblatts ausschließlich Schraubenschlüssel von Makita.

Drücken Sie für zum Demontieren des Sägeblatts die Spindelarretierung, um ein Drehen des Sägeblatts zu verhindern. Lösen Sie anschließend die Sechskantschraube durch Drehen des Innensechskantschlüssels gegen den Uhrzeigersinn. Entfernen Sie dann Sechskantschraube, Außenflansch und Sägeblatt. (Abb. 13)

Vergessen Sie beim Austausch des Sägeblatts nicht, das angefallene Sägemehl vom oberen und unteren Blattschutz zu entfernen. Trotzdem müssen Sie die bewegliche Schutzhaube vor jeder Verwendung auf Funktion überprüfen. (Abb. 14)

Für Werkzeuge mit Innenflansch für Sägeblätter eines Lochdurchmessers ungleich 15,88 mm (Abb. 15)

Der Innenflansch hat einen speziellen Durchmesser vorsprung auf einer Seite und einen dazu unterschiedlichen Durchmesser vorsprung auf der anderen Seite. Wählen Sie die richtige Seite, bei welcher der Vorsprung perfekt in das Sägeblattloch passt. Befestigen Sie nun den Innenflansch auf den Montageschraube, so dass die richtige Seite mit dem Vorsprung am Innenflansch nach außen gerichtet ist; setzen Sie anschließend Sägeblatt und Außenflansch auf. ZIEHEN SIE DIE SECHSKANTSCHRAUBE IM UHRZEIGERSINN FEST AN.

⚠ ACHTUNG:

- Stellen Sie sicher, dass der auf der Außenseite befindliche Vorsprung „a“ des Innenflansches genau in die Sägeblatt-Öffnung „a“ passt. Eine Montage des Sägeblatts auf der falschen Seite kann zu gefährlichen Vibrationen führen.

Für Werkzeuge mit Innenflansch für Sägeblätter eines Lochdurchmessers von 15,88 mm (länderspezifisch) (Abb. 16 und 17)

Befestigen Sie den Innenflansch mit dem nach außen gerichteten abgestuften Bereich auf den Montageschraube (mit dem befestigten Ring - falls erforderlich); setzen Sie anschließend Sägeblatt, Außenflansch und Sechskantschraube auf.

ZIEHEN SIE DIE SECHSKANTSCHRAUBE IM UHRZEIGERSINN FEST AN.

⚠ WARNUNG:

- Bevor Sie das Sägeblatt auf der Welle anbringen, sollten Sie immer sicherstellen, dass der richtige Ring für das Wellenloch des Sägeblatts, das Sie verwenden möchten, zwischen dem Innen- und dem Außenflansch angebracht ist. Die Verwendung eines Wellenlochrings falscher Größe führt zu einer fehlerhaften Montage des Sägeblatts und kann so eine Verschiebung des Sägeblatts und heftige Schwingungen verursachen, die zu einem möglichen Kontrollverlust während des Betriebs und zu schweren Verletzungen führen.

Aufbewahren des Innensechskantschlüssels (Abb. 18)

Wenn Sie den Innensechskantschlüssel nicht verwenden, bewahren Sie ihn wie in der Abbildung dargestellt auf, damit er nicht verloren geht.

Anschließen eines Absauggeräts (Sonderzubehör) (Abb. 19 und 20)

Für größere Sauberkeit bei der Arbeit können Sie an Ihr Werkzeug ein Makita-Absauggerät anschließen.

Montieren Sie den Absaugstutzen mit der Schraube an der Maschine. Schließen Sie dann den Schlauch des Absauggeräts, wie in der Abbildung dargestellt, am Absaugstutzen an.

BETRIEB

ACHTUNG:

- Schieben Sie das Werkzeug beim Schneiden stets behutsam in einer geraden Linie vor. Übermäßige Druckausübung oder Verdrehen des Werkzeugs bewirken eine Überhitzung des Motors und gefährliche Rückschläge, die möglicherweise zu schweren Verletzungen führen können.
- Halten Sie das Werkzeug während des Betriebs immer sowohl am vorderen als auch am hinteren Griff fest. (Abb. 21)

Führen Sie das Werkzeug mit festem Griff. Das Werkzeug verfügt sowohl über einen vorderen als auch über einen hinteren Griff. Verwenden Sie beide Griffe, um so das Werkzeug bestmöglich festzuhalten. Wenn Sie die Säge mit beiden Händen festhalten, vermeiden Sie Verletzungen durch das Sägeblatt. Setzen Sie den Gleitschuh auf das zu schneidende Werkstück auf, ohne dass das Sägeblatt mit dem Werkstück in Berührung kommt. Schalten Sie anschließend das Werkzeug ein und warten Sie, bis das Sägeblatt die volle Drehzahl erreicht hat. Schieben Sie nun das Werkzeug flach und gleichmäßig über die Oberfläche des Werkstücks vor, bis der Schnitt beendet ist.

Halten Sie für saubere Schnitte eine gerade Schnittlinie und eine gleichmäßige Vorschubgeschwindigkeit ein. Wenn der Schnitt nicht genau der beabsichtigten Schnittlinie folgt, versuchen Sie nicht, das Werkzeug zurück zur Schnittlinie zu drehen oder mit Gewalt zu schieben. Dies kann zum Einklemmen des Sägeblatts führen und somit zu einem gefährlichen Rückschlag und möglicherweise zu schweren Verletzungen. Lassen Sie den Schalter los, warten Sie den Stillstand des Sägeblatts ab und ziehen Sie dann das Werkzeug zurück. Setzen Sie das Werkzeug an der neuen Schnittlinie an und starten Sie erneut den Sägevorgang. Versuchen Sie dabei, Positionen zu vermeiden, in denen der Bediener den vom Sägeblatt ausgestoßenen Sägespänen und dem Sägestaub ausgesetzt ist. Tragen Sie eine Schutzbrille, um Verletzungen zu vermeiden.

Parallelanschlag (Führungslineal) (Sonderzubehör) (Abb. 22)

Der praktische Parallelanschlag ermöglicht die Ausführung besonders genauer Geradschnitte. Schieben Sie den Parallelanschlag einfach satt anliegend gegen die Werkstückkante, und sichern Sie ihn mit der Klemmschraube an der Vorderseite des Gleitschuhs. Damit sind auch wiederholte Schnitte gleicher Breite möglich.

WARTUNG

ACHTUNG:

- Schalten Sie das Werkzeug aus und ziehen Sie immer den Netzstecker, bevor Sie am Werkzeug Inspektionen oder Wartungsarbeiten vornehmen.
- **Reinigen Sie die oberen und unteren Schutzhauben, um sicherzustellen, dass sich kein Sägemehl ansammelt, das die Funktion der unteren Schutzeinrichtung beeinträchtigen könnte.** Eine verschmutzte Schutzeinrichtung kann in ihrer ordnungsgemäßen Funktion eingeschränkt sein, was

zu schweren Verletzungen führen kann. Druckluft hat sich als effektivste Methode zur Reinigung erwiesen.

Wenn das Sägemehl aus den Schutzhauben abgelassen wird, müssen Sie entsprechenden Augen- und Atemschutz tragen.

- Verwenden Sie zum Reinigen niemals Kraftstoffe, Benzin, Verdünner, Alkohol oder ähnliches. Dies kann zu Verfärbungen, Verformungen oder Rissen führen.

Einstellen auf Parallelität (Abb. 23)

Die Parallelität zwischen Gleitschuh und Sägeblatt wurde werkseitig eingestellt. Sollte die Parallelität jedoch nicht mehr gegeben sein, können Sie die Parallelität wie folgt einstellen.

Stellen Sie sicher, dass alle Hebel und Schrauben festgezogen sind. Lösen Sie die Schrauben etwas, wie dargestellt. Öffnen Sie die untere Schutzhaube und verschieben Sie die hintere Seite des Gleitschuhs so, dass die Abstände A und B gleich sind. Ziehen Sie nach dem Ausrichten die Schrauben fest. Führen Sie einen Probeschnitt aus, um die Parallelität zu überprüfen.

Einstellen der 0°-Schnittgenauigkeit (Abb. 24 und 25)

Diese Einstellung wurde bereits werkseitig vorgenommen. Sollte sie verstellt sein, müssen Sie die Einstellschrauben mit einem Innensechskantschlüssel nachjustieren, während Sie das Sägeblatt mit Hilfe eines Einstelldreiecks, Anschlagwinkels, usw. auf einen Winkel von 0° einstellen.

Ersetzen der Kohlebürsten (Abb. 26)

Entnehmen und überprüfen Sie in regelmäßigen Abständen die Kohlebürsten. Wenn die Kohlebürsten bis zur Verschleißgrenze abgenutzt sind, müssen die Kohlebürsten ausgetauscht werden. Halten Sie die Kohlebürsten sauber und achten Sie darauf, dass die Bürsten locker in den Halterungen gleiten. Ersetzen Sie immer beide Kohlebürsten gleichzeitig. Verwenden Sie ausschließlich identische Kohlebürsten.

Nehmen Sie die Bürstenhalterkappen mit Hilfe eines Schraubendrehers ab. Entnehmen Sie die verbrauchten Kohlebürsten, setzen Sie neue Bürsten ein und sichern Sie die Bürstenhalterkappen. (Abb. 27)
Zur Gewährleistung von SICHERHEIT und ZUVERLÄSSIGKEIT des Produkts dürfen Reparaturen, Wartungsarbeiten und Einstellungen nur durch von Makita autorisierte Servicecenter durchgeführt und ausschließlich Makita-Ersatzteile verwendet werden.

SONDERZUBEHÖR

ACHTUNG:

- Für das in diesem Handbuch beschriebene Makita-Gerät werden die folgenden Zubehör- und Zusatzteile empfohlen. Bei Verwendung anderer Zubehör- und Zusatzteile kann es zu Verletzungen kommen. Verwenden Sie Zubehör- und Zusatzteile nur für den vorgesehenen Zweck.
- Informationen zu diesem Zubehör erhalten Sie von Ihrem Makita-Servicecenter.
- Sägeblätter
 - Parallelanschlag (Führungslineal)

- Führungsschiene
- Führungsschienenadapter
- Messleiste
- Absaugstutzen
- Innensechskantschlüssel

Die technischen Unterlagen gemäß 2006/42/EG sind erhältlich von:

Makita, Jan-Baptist Vinkstraat 2, 3070, Belgien

21. 4. 2014



Yasushi Fukaya
Direktor

Makita, Jan-Baptist Vinkstraat 2, 3070, Belgien

HINWEIS:

- Einige der in der Liste aufgeführten Elemente sind dem Werkzeugpaket als Standardzubehör beigelegt. Diese können in den einzelnen Ländern voneinander abweichen.

Schallpegel ENG905-1

Typischer A-bewerteter Schallpegel nach EN60745:

Schalldruckpegel (L_{pA}): 87 dB (A)

Schalleistungspegel (L_{WA}): 98 dB (A)

Abweichung (K): 3 dB (A)

Tragen Sie Gehörschutz.

Schwingung ENG900-1

Schwingungsgesamtwerte (Vektorsumme dreier Achsen) nach EN60745:

Betriebsmodus: Sägen von Holz

Schwingungsemission ($a_{h,W}$): 2,5 m/s² oder weniger

Abweichung (K): 1,5 m/s²

ENG901-1

- Der hier angegebene Wert für die erzeugten Schwingungen wurde gemäß dem genormten Testverfahren ermittelt und kann als Vergleich zu anderen Werkzeugen herangezogen werden.
- Der angegebene Wert für die erzeugten Schwingungen ist außerdem für eine vorbeugende Bewertung der Belastung zu verwenden.

WARNUNG:

- Die Schwingungsbelastung kann bei tatsächlichem Gebrauch des Elektrowerkzeugs in Abhängigkeit von der Handhabung des Elektrowerkzeugs von dem hier aufgeführten Wert abweichen.
- Stellen Sie sicher, dass Schutzmaßnahmen für den Bediener getroffen werden, die auf den unter den tatsächlichen Arbeitsbedingungen zu erwartenden Belastungen beruhen (beziehen Sie alle Bestandteile des Arbeitsablaufs ein, also zusätzlich zu den Arbeitszeiten auch Zeiten, in denen das Werkzeug ausgeschaltet ist oder ohne Last läuft).

Nur für europäische Länder ENH101-18

EG-Konformitätserklärung

Makita erklärt, dass die nachfolgende(n) Maschine(n):

Bezeichnung der Maschine(n):

Handkreissäge

Nummer/Typ des Modells: HS7601

den folgenden Richtlinien der Europäischen Union

genügt/genügen:

2006/42/EG

Sie werden gemäß den folgenden Standards oder Normen gefertigt:

EN60745

ITALIANO (Istruzioni originali)

Spiegazione della vista generale

- | | | |
|------------------------------------|-------------------------|---------------------------------|
| 1. Leva | 10. Serrare | 19. Aspiratore |
| 2. Vite di serraggio | 11. Flangia interna | 20. Tubo |
| 3. Linea di taglio (posizione 0°) | 12. Lama della sega | 21. Guida di taglio |
| 4. Linea di taglio (posizione 45°) | 13. Flangia esterna | 22. Squadra triangolare |
| 5. Interruttore di accensione | 14. Bullone esagonale | 23. Indicatore di limite |
| 6. Sicura di accensione | 15. Albero di montaggio | 24. Cacciavite |
| 7. Chiave esagonale | 16. Anello | 25. Coperchio del portaspazzola |
| 8. Blocco dell'albero | 17. Ugello antipolvere | |
| 9. Allentare | 18. Vite | |

CARATTERISTICHE TECNICHE

Modello		HS7601
Diametro della lama		190 mm
Profondità massima di taglio	a 0°	66 mm
	a 45°	46 mm
Velocità a vuoto		5.200 min ⁻¹
Lunghezza complessiva		309 mm
Peso netto		4,0 kg
Classe di sicurezza		□/II

- Le caratteristiche tecniche riportate di seguito sono soggette a modifiche senza preavviso in virtù del nostro programma continuo di ricerca e sviluppo.
- Le caratteristiche tecniche possono differire da paese a paese.
- Peso determinato in conformità con la EPTA-Procedure 01/2003

Uso previsto

ENE078-2

L'utensile è progettato per l'esecuzione di tagli nel legno, sia dritti (in senso longitudinale e trasversale) sia obliqui, mantenendo un saldo contatto con il pezzo in lavorazione. Con le lame della sega originali Makita appropriate, si possono segare anche altri materiali.

Alimentazione

ENF002-2

L'utensile deve essere collegato a una presa di corrente con la stessa tensione di quella indicata sulla targhetta e può funzionare soltanto con corrente alternata monofase. L'utensile è dotato di doppio isolamento, pertanto può essere usato anche con prese di corrente sprovviste della messa a terra.

Avvertenze generali di sicurezza per l'uso dell'utensile

GEA010-1

⚠ AVVERTENZA Leggere attentamente tutte le avvertenze di sicurezza e le istruzioni. La mancata osservanza delle istruzioni e delle avvertenze riportate di seguito potrebbe provocare scosse elettriche, incendi e/o lesioni gravi.

Conservare le avvertenze e le istruzioni per riferimenti futuri.

AVVERTENZE DI SICUREZZA PER LA SEGA CIRCOLARE

GEB013-7

Procedure di taglio

1. **⚠ PERICOLO: Tenere le mani lontane dall'area di taglio e dalla lama. Posare la mano che non impugna l'utensile sull'impugnatura ausiliaria o sulla carcassa del motore.** Se entrambe le mani vengono utilizzate per tenere la sega, non c'è il rischio che vengano colpite dalla lama.
2. **Non afferrare il pezzo in lavorazione dalla parte inferiore.** Il coprilama non offre alcuna protezione dalla lama al di sotto del pezzo in lavorazione.
3. **Regolare la profondità di taglio in base allo spessore del pezzo in lavorazione.** La lama deve sporgere al di sotto del pezzo in lavorazione per un tratto inferiore alla lunghezza di uno dei suoi denti.
4. **Non tenere mai il pezzo da tagliare tra le mani o sulle gambe. Fissare il pezzo in lavorazione a una superficie stabile.** È importante supportare correttamente il pezzo in lavorazione per ridurre al minimo l'eventualità di contatto con il corpo, di blocco della lama o di perdita di controllo dell'utensile.
La figura illustra il corretto posizionamento delle mani, del pezzo in lavorazione e del cavo di alimentazione (se applicabile). (Fig. 1)
5. **Se vengono eseguite operazioni in cui l'utensile di taglio può entrare in contatto con fili nascosti o con il cavo di alimentazione, impugnare l'utensile utilizzando solo i punti di presa isolati.** In caso di contatto con un filo percorso da corrente, le parti metalliche esposte dell'utensile si troveranno

anch'esse sotto tensione e potrebbero provocare scosse elettriche all'operatore.

6. **Quando si eseguono tagli longitudinali, utilizzare sempre una guida di taglio.** In tal modo il taglio risulterà più accurato e il rischio di blocco della lama sarà ridotto.
7. **Utilizzare sempre lame con dimensioni e sagoma (romboidale o rotonda) dei fori dell'albero appropriate.** Le lame che non corrispondono alla sagoma o al supporto di montaggio della sega determinano una rotazione eccentrica e provocano la perdita di controllo dell'utensile.
8. **Non utilizzare rondelle o bulloni danneggiati o inappropriati per la lama.** Le rondelle e il bullone della lama sono progettati appositamente per la sega e garantiscono prestazioni migliori e maggiore sicurezza.

Cause dei contraccolpi e avvertenze correlate

- Un contraccolpo è una reazione improvvisa dovuta a frizioni, ostacoli o disallineamenti della lama di taglio, che provoca il sollevamento improvviso della sega. Se non adeguatamente controllata, quest'ultima può allontanarsi dal pezzo in lavorazione proiettandosi in direzione dell'operatore.
- Quando è ostacolata o bloccata dalla chiusura delle due estremità del taglio, la lama entra in fase di stallo e la reazione del motore fa sì che l'unità si muova rapidamente all'indietro verso l'operatore.
- Se la lama si incurva o si disallinea rispetto al taglio, i denti del bordo posteriore della lama colpiscono la superficie superiore del pezzo in lavorazione provocando la fuoriuscita della lama dal taglio e il movimento improvviso dell'utensile verso l'operatore.

I contraccolpi sono determinati dall'uso improprio della sega e/o da procedure o condizioni operative errate e possono essere evitati adottando le specifiche precauzioni illustrate di seguito.

9. **Mantenere una presa salda con entrambe le mani sulla sega e posizionare le braccia in modo da poter contrastare efficacemente i contraccolpi. Posizionare il corpo a destra o a sinistra della lama, evitando di allinearli con la lama stessa.** I contraccolpi possono provocare uno spostamento improvviso della sega all'indietro, ma possono essere controllati dall'operatore adottando precauzioni appropriate.
10. **Quando la lama è incastrata o se si desidera interrompere il taglio per qualsiasi motivo, rilasciare l'interruttore e attendere l'arresto completo della lama senza spostare la sega dal materiale. Per evitare contraccolpi, non rimuovere la sega dal pezzo in lavorazione e non tirarla all'indietro mentre la lama è in movimento.** Esaminare le condizioni operative e attuare gli interventi correttivi necessari per eliminare le cause del blocco della lama.
11. **Quando si riavvia la sega con la lama inserita nel pezzo in lavorazione, centrare accuratamente la lama nel taglio e controllare che i denti della sega non siano inseriti nel materiale.** Se la lama della sega è bloccata o incastrata, il riavvio della sega può provocare l'improvviso innalzamento o un contraccolpo dell'utensile dal pezzo in lavorazione.

12. **Per minimizzare il rischio di ostacolare la lama e per evitare contraccolpi, sostenere adeguatamente i pannelli di grandi dimensioni da tagliare.** I pannelli di grandi dimensioni tendono a flettersi sotto il loro stesso peso. Collocare i sostegni al di sotto del pannello su entrambi i lati, sia vicino alla linea di taglio che all'estremità del pannello.
Per evitare contraccolpi, sostenere i pannelli vicino alla linea di taglio. (Fig. 2)
Non applicare i sostegni dei pannelli lontano dalla linea di taglio. (Fig. 3)
13. **Non utilizzare lame non affilate o danneggiate.** Lame non affilate o in condizioni improprie producono tagli di spessore limitato e determinano il blocco della lama, una frizione eccessiva e pericolosi contraccolpi.
14. **Prima di eseguire il taglio, accertarsi di aver serrato accuratamente le leve di regolazione della profondità e dell'angolazione di taglio della lama.** Se le leve di regolazione della lama si muovono durante il taglio, la lama potrebbe bloccarsi e potrebbero verificarsi contraccolpi.
15. **Prestare particolare attenzione durante il taglio all'interno di pareti esistenti o altre zone cieche.** Avanzando, la parte sporgente della lama può colpire oggetti non visibili e determinare un contraccolpo.
16. **Tenere SEMPRE saldamente l'utensile con entrambe le mani. NON posizionare MAI le mani o le dita dietro la sega.** In caso di contraccolpi, la sega potrebbe arretrare improvvisamente e colpire le mani, determinando gravi lesioni personali. **(Fig. 4)**
17. **Non forzare mai la sega. Spingere la sega in avanti a una velocità tale che la lama esegua il taglio senza subire rallentamenti.** Una spinta eccessiva sulla sega può comportare tagli non netti o imprecisi, nonché il verificarsi di contraccolpi.

Funzione del coprilama

18. **Prima di ogni utilizzo, assicurarsi che il coprilama sia posizionato correttamente. Non utilizzare la sega se il coprilama non è libero di muoversi e di chiudersi all'istante. Non bloccare mai il coprilama in posizione aperta.** In caso di caduta accidentale della sega, il coprilama potrebbe deformarsi. Sollevare il coprilama con l'apposita maniglia e accertarsi che sia libero di muoversi e che non entri in contatto con la lama o altre parti dell'utensile, eseguendo prove con diverse angolazioni e profondità di taglio.
19. **Controllare il funzionamento della molla del coprilama. Se il coprilama e la molla non funzionano correttamente, prima di utilizzare l'unità è necessario ripristinare l'efficienza con gli opportuni interventi di manutenzione e/o riparazione.** Parti danneggiate e incrostazioni di resine, collanti o residui di lavorazione possono pregiudicare il corretto funzionamento del coprilama.
20. **Ritrarre manualmente il coprilama solo se si devono eseguire tagli speciali come tagli "ad immersione" o tagli "combinati". Sollevare il coprilama utilizzando l'apposita maniglia e rilasciarlo subito dopo che la lama è entrata nel materiale.** Per tutte le altre modalità di taglio, lasciare che il coprilama svolga automaticamente le sue funzioni.

21. **Prima di collocare la sega sul banco o sul pavimento, accertarsi sempre che la lama sia protetta dal coprilama.** Se la lama non è protetta ed è in rotazione, la sega si sposterà all'indietro tagliando tutto ciò che incontra sul suo percorso. Prestare attenzione al tempo necessario per il completo arresto della lama dopo aver rilasciato l'interruttore.

22. **Per controllare il funzionamento del coprilama, aprirlo con le mani e rilasciarlo osservando attentamente la modalità di chiusura. Verificare inoltre che la maniglia per ritrarre il coprilama non tocchi l'involucro dell'utensile.** Lasciare la lama scoperta è MOLTO PERICOLOSO e può determinare il rischio di lesioni personali gravi.

Avvertenze di sicurezza supplementari

23. **Prestare particolare attenzione quando si eseguono tagli su legno umido, trattato a pressione o con nodi.** Far avanzare l'utensile in maniera uniforme, senza ridurre la velocità della lama, onde evitare il surriscaldamento delle punte della lama.

24. **Non rimuovere il materiale residuo della lavorazione se la lama è in movimento. Prima di rimuovere il materiale residuo della lavorazione, attendere che la lama si arresti completamente.** Le lame continuano a ruotare per inerzia dopo lo spegnimento dell'utensile.

25. **Evitare di tagliare chiodi.** Prima di eseguire il taglio, esaminare attentamente il pezzo in lavorazione e rimuovere eventuali chiodi.

26. **Collocare la superficie più ampia della base della sega sulla parte del pezzo in lavorazione che poggia sui sostegni, non sulla parte destinata a cadere una volta eseguito il taglio.** A titolo di esempio, la Fig. 5 illustra il metodo di taglio CORRETTO dell'estremità di una tavola, mentre la Fig. 6 mostra quello SCORRETTO. Se il pezzo in lavorazione è di dimensioni ridotte, bloccarlo in una morsa. **NON TENERE PEZZI DI DIMENSIONI RIDOTTE CON LE MANI!**

27. **Prima di abbassare l'utensile dopo aver completato il taglio, accertarsi che il coprilama sia chiuso e che la lama si sia completamente arrestata.**

28. **Non utilizzare la sega circolare capovolgendola e bloccandola in una morsa.** Si tratta di una modalità operativa estremamente pericolosa che può provocare incidenti di grave entità. (Fig. 7)

29. **Alcuni materiali contengono prodotti chimici che possono essere tossici. Prendere le adeguate precauzioni per evitare l'inalazione della polvere e il contatto con la pelle. Attenersi alle istruzioni per la sicurezza del fornitore dei materiali.**

30. **Non arrestare la lama della sega applicando una pressione laterale sulla lama stessa.**

31. **Non utilizzare dischi abrasivi.**

32. **Utilizzare esclusivamente una lama per la sega avente il diametro indicato sull'utensile o specificato nelle istruzioni.** L'uso di una lama di dimensioni errate potrebbe influire sulla corretta protezione della lama e sul funzionamento del coprilama, causando gravi danni alla persona.

33. **Mantenere la lama affilata e pulita.** Residui o incrostazioni di collanti e resina sulle lame possono

rallentare il taglio e aumentare la possibilità di contraccolpi. Per pulire la lama, rimuoverla dall'utensile ed eliminare le incrostazioni con un solvente appropriato, acqua calda o cherosene. Non utilizzare benzina.

34. **Quando si utilizza lo strumento, indossare una protezione acustica e una maschera antipolvere.**

CONSERVARE QUESTE ISTRUZIONI.

⚠ AVVERTENZA:

NON lasciare che la familiarità acquisita con il prodotto (dovuta all'uso ripetuto) provochi l'inosservanza delle norme di sicurezza. L'USO IMPROPRIO o la mancata osservanza delle norme di sicurezza indicate in queste istruzioni per l'uso possono provocare gravi danni alla persona.

DESCRIZIONE FUNZIONALE

⚠ ATTENZIONE:

- Prima di regolare o controllare le funzioni dell'utensile, verificare sempre di averlo spento e scollegato dall'alimentazione.

Regolazione della profondità di taglio

⚠ ATTENZIONE:

- Dopo aver regolato la profondità di taglio, serrare accuratamente la leva. (Fig. 8)

Allentare la leva sulla guida di profondità e sollevare o abbassare la base. Dopo aver raggiunto la profondità di taglio desiderata, fissare la base serrando la leva. Per garantire la massima sicurezza e accuratezza, impostare la profondità di taglio in modo che dal pezzo in lavorazione fuoriesca solo un dente della lama. Una regolazione corretta della profondità di taglio consente di ridurre l'eventualità di pericolosi contraccolpi che possono provocare danni alla persona.

Taglio obliquo (Fig. 9 e 10)

Allentare le viti di serraggio. Impostare l'angolo desiderato (0° - 45°) inclinando l'utensile, quindi serrare saldamente le viti di serraggio.

Allineamento (Fig. 11)

Per tagli dritti, allineare la linea di taglio con la posizione 0° sulla parte anteriore della base. Per tagli obliqui a 45°, allineare la linea di taglio alla posizione 45°.

Azionamento dell'interruttore

⚠ ATTENZIONE:

- Prima di collegare l'utensile, controllare se l'interruttore di accensione funziona correttamente e ritorna in posizione "OFF" una volta rilasciato.
- Non tirare con forza l'interruttore di accensione senza aver prima premuto la sicura di accensione. In caso contrario, l'interruttore potrebbe rompersi. (Fig. 12)

La sicura di accensione consente di evitare l'azionamento involontario dell'interruttore di accensione.

Per avviare l'utensile, premere la sicura di accensione e tirare l'interruttore di accensione. Rilasciare l'interruttore di accensione per spegnerlo.

⚠ AVVERTENZA:

- Per la sicurezza personale, questo utensile è dotato di una sicura di accensione che impedisce azionamenti accidentali. NON utilizzare l'utensile se è possibile azionarlo premendo semplicemente l'interruttore di accensione senza premere contemporaneamente la sicura di accensione. PRIMA DI utilizzare nuovamente l'utensile, rivolgersi a un centro di assistenza Makita per le necessarie riparazioni.
- NON tentare di manomettere o impedire il corretto funzionamento della sicura di accensione.

MONTAGGIO

⚠ ATTENZIONE:

- Prima di regolare o controllare le funzioni dell'utensile, verificare sempre di averlo spento e scollegato dall'alimentazione.

Installazione o rimozione della lama della sega

⚠ ATTENZIONE:

- Assicurarsi che la lama sia installata in modo che i denti siano rivolti verso la parte anteriore dell'utensile.
- Per installare o rimuovere la lama, utilizzare solo la chiave fornita da Makita.

Per rimuovere la lama, premere il blocco dell'albero in modo che la lama non possa ruotare e utilizzare la chiave per allentare il bullone esagonale in senso antiorario. Rimuovere il bullone esagonale, la flangia esterna e la lama. (Fig. 13)

Quando si sostituisce la lama, rimuovere gli accumuli di segatura dai coprilama superiore e inferiore. Queste operazioni di pulizia non sostituiscono la procedura di controllo del funzionamento del coprilama inferiore, che deve comunque essere eseguita prima di ogni utilizzo. (Fig. 14)

Per gli utensili con flangia interna per una lama della sega con diametro del foro diverso da 15,88 mm (Fig. 15)

La flangia interna presenta una sporgenza di un certo diametro su un lato e una sporgenza di diametro differente sull'altro. Scegliere il lato corretto in cui la sporgenza si inserisce perfettamente nel foro della lama della sega.

Successivamente, montare la flangia interna sull'albero di montaggio in modo che il lato corretto della sporgenza sulla flangia interna sia rivolto verso l'esterno, quindi posizionare la lama della sega e la flangia esterna. ACCERTARSI DI AVER FISSATO SALDAMENTE IL BULLONE ESAGONALE RUOTANDOLO IN SENSO ORARIO.

⚠ ATTENZIONE:

- Assicurarsi che la sporgenza "a" sulla flangia interna posizionata all'esterno si inserisca perfettamente nel foro della lama della sega "a". Il montaggio della lama sul lato sbagliato potrebbe causare vibrazioni pericolose.

Per gli utensili con flangia interna per una lama della sega con diametro del foro di 15,88 mm (specifico in base al Paese) (Fig. 16 e 17)

Montare la flangia interna con il lato incavato rivolto verso l'esterno sull'albero di montaggio, quindi posizionare la lama della sega (con l'anello attaccato se necessario), la flangia esterna e il bullone esagonale.

ACCERTARSI DI AVER FISSATO SALDAMENTE IL BULLONE ESAGONALE RUOTANDOLO IN SENSO ORARIO.

⚠ AVVERTENZA:

- Prima di montare la lama sul mandrino, assicurarsi che sullo stesso, tra le flange interna ed esterna, sia installato l'anello corretto per il foro dell'asta della lama che si intende utilizzare. L'utilizzo dell'anello errato per il foro dell'asta potrebbe causare il montaggio inadeguato della lama con la possibilità di causare movimenti e vibrazioni pericolose della lama, con conseguenti perdite di controllo durante l'uso e infortuni gravi.

Alloggiamento della chiave esagonale (Fig. 18)

Quando non è in uso, riporre la chiave esagonale come mostrato nella figura, evitando così di perderla.

Collegamento di un aspiratore (accessorio opzionale) (Fig. 19 e 20)

Se si desidera eseguire tagli senza produrre polvere, collegare all'utensile un aspiratore Makita. Installare l'ugello antipolvere sull'utensile utilizzando la vite. Collegare quindi il tubo dell'aspiratore all'ugello antipolvere secondo quanto illustrato nella figura.

USO

⚠ ATTENZIONE:

- Accertarsi di spostare in avanti l'utensile procedendo in linea retta con regolarità e senza esercitare una pressione eccessiva. Se si forza o si sposta dalla linea di taglio l'utensile, il motore può surriscaldarsi e si possono verificare pericolosi contraccolpi che possono determinare lesioni personali gravi.
- Durante il funzionamento, afferrare sempre l'utensile utilizzando sia l'impugnatura anteriore sia l'impugnatura posteriore. (Fig. 21)

Tenere l'utensile in modo saldo. L'utensile viene fornito con un'impugnatura anteriore e una maniglia posteriore. Utilizzarle entrambe per garantire la presa più sicura. Se entrambe le mani vengono utilizzate per tenere la sega, non potranno essere colpite dalla lama. Collocare la base sul pezzo in lavorazione senza che la lama entri in contatto con il materiale da tagliare. Accendere l'utensile e attendere che la lama raggiunga la massima velocità. Far avanzare l'utensile sulla superficie del pezzo in lavorazione, procedendo in piano e con regolarità fino al completamento del taglio.

Per ottenere tagli netti e accurati, avanzare in linea retta e con velocità costante. Se durante il taglio si devia dalla linea prevista, evitare di ruotare o forzare l'utensile in modo da ritornare sulla linea di taglio, perché la lama potrebbe bloccarsi e provocare pericolosi contraccolpi e lesioni personali. Rilasciare l'interruttore, attendere che la

lama si arresti e rimuovere l'utensile. Riallineare l'utensile con la nuova linea di taglio e riprendere la lavorazione. Evitare le posizioni che espongono l'operatore ai trucioli e alla polvere espulsi dalla sega. Per una maggiore sicurezza, indossare una protezione per gli occhi.

Guida di taglio (regolo guida) (accessorio opzionale) (Fig. 22)

La pratica guida di taglio consente di realizzare tagli dritti accuratissimi. Far scorrere la guida di taglio mantenendola aderente a un lato del pezzo in lavorazione e fissarla in posizione con la vite di serraggio sulla parte anteriore della base. La guida consente inoltre di realizzare tagli ripetuti mantenendo uniforme la larghezza del taglio.

MANUTENZIONE

⚠ ATTENZIONE:

- Prima di effettuare controlli e operazioni di manutenzione, verificare sempre che l'utensile sia spento e scollegato.
- **Pulire i coprilama superiore e inferiore assicurandosi che non siano presenti accumuli di segatura che potrebbero impedire il funzionamento del sistema di protezione inferiore.** Un sistema di protezione sporco potrebbe influire sul corretto funzionamento, causando gravi danni alla persona. Il modo più efficace per eseguire la pulizia è quello di utilizzare aria compressa. **Se la polvere viene soffiata fuori dai coprilama, assicurarsi di utilizzare un'adeguata protezione per gli occhi e le vie respiratorie.**
- Evitare assolutamente di usare benzina, diluenti, solventi, alcol o sostanze simili. In caso contrario, potrebbero verificarsi scoloriture, deformazioni o incrinature.

Regolazione per il parallelismo (Fig. 23)

Il parallelismo tra la lama e la base è stato regolato in fabbrica. Qualora si verificano deviazioni, è possibile procedere come segue per la regolazione. Assicurarsi che tutte le leve e le viti siano serrate. Allentare leggermente la vite, come mostrato nella figura. Mentre si apre il coprilama inferiore, spostare il retro della base in modo che le distanze A e B siano identiche. Al termine della regolazione, stringere la vite. Effettuare un taglio di prova per verificare il parallelismo.

Regolazione dell'accuratezza di taglio a 0° (Fig. 24 e 25)

Questa regolazione è stata effettuata in fabbrica. In caso fosse necessario correggerla, mettere a punto l'impostazione con le viti di regolazione utilizzando una chiave esagonale e controllando che la lama formi un angolo di 0° con la base mediante una squadra triangolare o ad angolo retto.

Sostituzione delle spazzole in carbonio (Fig. 26)

Rimuovere e controllare periodicamente le spazzole in carbonio. Sostituire le spazzole quando sono consumate fino all'indicatore di limite. Mantenere le spazzole in

carbonio pulite e in grado di scivolare liberamente nei supporti. Entrambe le spazzole in carbonio devono essere sostituite contemporaneamente. Utilizzare solo spazzole in carbonio identiche.

Utilizzare un cacciavite per rimuovere i coperchi dei portaspazzola. Estrarre le spazzole in carbonio consumate, inserire le nuove spazzole e fissare i coperchi dei portaspazzola. (Fig. 27)

Per preservare la sicurezza e l'affidabilità del prodotto, qualsiasi riparazione o intervento di manutenzione e regolazione deve essere eseguito dai centri assistenza autorizzati Makita utilizzando sempre ricambi Makita.

ACCESSORI OPZIONALI

⚠ ATTENZIONE:

- Si consiglia l'uso dei seguenti accessori per l'utensile Makita descritto in questo manuale. L'uso di qualsiasi altro accessorio potrebbe provocare lesioni personali. Utilizzare gli accessori esclusivamente per l'uso dichiarato.

Per l'assistenza e per ulteriori informazioni su tali accessori, rivolgersi al centro assistenza Makita di zona.

- Lama della sega
- Guida di taglio (regolo guida)
- Binario guida
- Adattatore per binario guida
- Righello
- Ugello antipolvere
- Chiave esagonale

NOTA:

- Alcuni degli accessori elencati potrebbero essere inclusi nella confezione dell'utensile come accessori standard. Gli accessori standard possono differire da paese a paese.

Rumore

ENG905-1

Il tipico livello di rumore ponderato A è determinato in conformità alla norma EN60745:

Livello di pressione sonora (L_{pA}): 87 dB (A)

Livello di potenza sonora (L_{WA}): 98 dB (A)

Variazione (K): 3 dB (A)

Indossare una protezione acustica.

Vibrazioni

ENG900-1

Il valore totale delle vibrazioni (somma vettoriale triassiale) è determinato in conformità alla norma EN60745:

Modalità di lavoro: taglio del legno

Emissione di vibrazioni ($a_{h,W}$): 2,5 m/s² o inferiore

Variazione (K): 1,5 m/s²

ENG901-1

- Il valore di emissione delle vibrazioni dichiarato è stato misurato in conformità con il metodo di test standard e può essere utilizzato per confrontare tra loro diversi utensili.
- Il valore dell'emissione delle vibrazioni dichiarato può anche essere usato per stime preliminari dell'esposizione.

⚠ AVVERTENZA:

- L'emissione delle vibrazioni durante l'uso effettivo dell'utensile elettrico può risultare diversa rispetto al valore dichiarato, in base alla modalità d'uso dell'utensile.

- Assicurarsi di individuare le necessarie misure di sicurezza per proteggere l'operatore in base a una stima dell'esposizione nelle condizioni reali di utilizzo (prendendo in considerazione tutte le fasi del ciclo operativo, come quante volte l'utensile viene spento e i periodi in cui rimane inattivo, oltre al tempo di avviamento).

Solo per i paesi europei

ENH101-18

Dichiarazione di conformità CE

Makita dichiara che le macchine seguenti:

Denominazione dell'utensile:

Sega circolare

N. modello/Tipo: HS7601

conformi alle seguenti direttive europee:

2006/42/EC

Sono prodotte in conformità agli standard o ai documenti standardizzati riportati di seguito:

EN60745

Il documento tecnico ai sensi della Direttiva europea 2006/42/EC è disponibile presso:

Makita, Jan-Baptist Vinkstraat 2, 3070, Belgio

21. 4. 2014



Yasushi Fukaya

Direttore

Makita, Jan-Baptist Vinkstraat 2, 3070, Belgio

NEDERLANDS (Originele instructies)

Verklaring van het onderdelenoverzicht

1. Hendel	10. Vastdraaien	19. Stofzuiger
2. Klembout	11. Binnenflens	20. Slang
3. Zaaglijn (0°-stand)	12. Zaagblad	21. Breedtegeleider
4. Zaaglijn (45°-stand)	13. Buitenflens	22. Geodriehoek
5. Aan-uitschakelaar	14. Inbusbout	23. Slijtgrensmarkering
6. Uit-vergrendelknop	15. Montageas	24. Schroevendraaier
7. Inbusseutel	16. Ring	25. Koolborsteldop
8. Asvergrendeling	17. Stofafzuigaansluitmond	
9. Losdraaien	18. Bout	

TECHNISCHE GEGEVENS

Model		HS7601
Diameter van zaagblad		190 mm
Max. zaagdiepte	bij 0°	66 mm
	bij 45°	46 mm
Onbelast toerental		5.200 min ⁻¹
Totale lengte		309 mm
Nettogewicht		4,0 kg
Veiligheidsklasse		□/II

- Als gevolg van ons doorlopende onderzoeks- en ontwikkelingsprogramma, zijn de technische gegevens van dit gereedschap onderhevig aan veranderingen zonder voorafgaande kennisgeving.
- De technische gegevens kunnen van land tot land verschillen.
- Gewicht volgens EPTA-procedure 01/2003

Gebruiksdoelinden ENE078-2

Het gereedschap is bedoeld voor het recht zagen in de lengte- en breedterichting, en verstekzagen onder een hoek in hout, waarbij het gereedschap stevig in contact staat met het werkstuk. Met geschikte, originele Makita-zaagbladen kunnen ook andere materialen worden gezaagd.

Voeding ENF002-2

Het gereedschap mag uitsluitend worden aangesloten op een voeding met dezelfde spanning als aangegeven op het typeplaatje en werkt alleen op enkele-fase wisselstroom. Het gereedschap is dubbel geïsoleerd en mag derhalve ook op een niet-geaard stopcontact worden aangesloten.

Algemene veiligheidswaarschuwingen voor elektrisch gereedschap GEA010-1

⚠ WAARSCHUWING Lees alle veiligheidswaarschuwingen en alle instructies. Het niet volgen van de waarschuwingen en instructies kan leiden tot elektrische schokken, brand en/of ernstig letsel.

Bewaar alle waarschuwingen en instructies om in de toekomst te kunnen raadplegen.

VEILIGHEIDSWAARSCHUWINGEN VOOR EEN HANDCIRKELZAAG

GEB013-7

Zaagmethoden

1. **⚠ GEVAAR:** Houd uw handen uit de buurt van het zaaggebied en het zaagblad. Houd met uw andere hand de voorhandgreep of de behuizing van het gereedschap vast. Als u de cirkelzaag met beide handen vasthoudt, kunt u nooit in uw handen zagen.
2. **Reik nooit met uw handen onder het werkstuk.** De beschermkap kan u niet beschermen tegen het zaagblad onder het werkstuk.
3. **Stel de zaagdiepte in overeenkomstig de dikte van het werkstuk.** Minder dan een volledige tandhoogte dient onder het werkstuk uit te komen.
4. **Houd het werkstuk waarin wordt gezaagd nooit vast met uw handen of benen. Zorg dat het werkstuk stabiel is ten opzichte van de ondergrond.** Het is belangrijk het werkstuk goed te ondersteunen om de kans te minimaliseren dat uw lichaam eraan blootgesteld wordt, het zaagblad vastloopt of u de controle over het gereedschap verliest.
Karakteristieke afbeelding met de juiste stand van de handen, de ondersteuning van het werkstuk en de geleiding van de netstroomkabel (indien van toepassing) (zie afb. 1).
5. **Houd het elektrisch gereedschap uitsluitend vast aan het geïsoleerde oppervlak van de handgrepen wanneer u werkt op plaatsen waar het snij- of zaaggarnituur met verborgen bedrading of zijn**

eigen snoer in aanraking kan komen. Door aanraking van onder spanning staande draden, zullen de niet-geïsoleerde metalen delen van het elektrisch gereedschap onder spanning komen te staan zodat de gebruiker een elektrische schok kan krijgen.

6. **Gebruik bij het schulpen altijd de breedtegeleider of de langsegeleider.** Hierdoor wordt de nauwkeurigheid van het zagen vergroot en de kans op vastlopen van het zaagblad verkleint.
7. **Gebruik altijd zaagbladen met doorngaten van de juiste afmetingen en vorm (diamant versus rond).** Zaagbladen die niet goed passen op de bevestigingsmiddelen van de cirkelzaag, zullen excentrisch draaien waardoor u de controle over het gereedschap verliest.
8. **Gebruik nooit een beschadigde of verkeerde bouten en ringen om het zaagblad mee te bevestigen.** De bouten en ringen voor de bevestiging van het zaagblad zijn speciaal ontworpen voor gebruik met uw cirkelzaag voor optimale prestaties en veilig gebruik.

Oorzaken van terugslag en aanverwante waarschuwingen

- Terugslag is een plotselinge reactie op een bekneld, vastgelopen of niet-uitgelijnd zaagblad, waardoor de oncontroleerbare cirkelzaag omhoog, uit het werkstuk en in de richting van de gebruiker gaat.
- Wanneer het zaagblad bekneld raakt of vastloopt doordat de zaagsnede naar beneden toe smaller wordt, vertraagt het zaagblad en komt als reactie de motor snel omhoog in de richting van de gebruiker.
- Als het zaagblad gebogen of niet-uitgelijnd raakt in de zaagsnede, kunnen de tanden aan de achterrand van het zaagblad zich in het bovenoppervlak van het hout vreten, waardoor het zaagblad uit de zaagsnede klimt en omhoog springt in de richting van de gebruiker.

Terugslag is het gevolg van misbruik van de cirkelzaag en/of onjuiste gebruiksprocedures of -omstandigheden, en kan worden voorkomen door goede voorzorgsmaatregelen te treffen, zoals hieronder vermeld:

9. **Houd de cirkelzaag stevig vast met beide handen en houdt uw armen zodanig dat een terugslag wordt opgevangen. Plaats uw lichaam zijwaarts versprongen van het zaagblad en niet in een rechte lijn erachter.** Door terugslag kan de cirkelzaag achterwaarts springen, maar de kracht van de terugslag kan met de juiste voorzorgsmaatregelen door de gebruiker worden opgevangen.
10. **Wanneer het zaagblad vastloopt, of wanneer u om een of andere reden het zagen onderbreekt, laat u de aan-uitschakelaar los en houdt u de cirkelzaag stil in het materiaal totdat het zaagblad volledig tot stilstand is gekomen. Probeer nooit de zaag uit het werkstuk te halen of de zaag naar achteren te trekken, terwijl het zaagblad nog draait omdat hierdoor een terugslag kan optreden.** Onderzoek waarom het zaagblad is vastgelopen en tref afdoende maatregelen om de oorzaak ervan op te heffen.
11. **Wanneer u de cirkelzaag weer inschakelt terwijl het zaagblad in het werkstuk zit, plaatst u het zaagblad in het midden van de zaagsnede en controleert u dat de tanden niet in het materiaal grijpen.** Als het zaagblad is vastgelopen, kan

wanneer de cirkelzaag wordt ingeschakeld het zaagblad uit het werkstuk lopen of terugslaan.

12. **Ondersteun grote platen om de kans te minimaliseren dat het zaagblad bekneld raakt of terugslaat.** Grote panelen neigen door te zakken onder hun eigen gewicht. U moet de plaat ondersteunen aan beide zijranden, vlakbij de zaaglijn en vlakbij het uiteinde.
Ondersteun de plank of plaat vlakbij de zaaglijn om terugslag te voorkomen (zie afb. 2).
Ondersteun de plank of plaat niet op grote afstand van de zaaglijn (zie afb. 3).
13. **Gebruik een bot of beschadigd zaagblad niet meer.** Niet-geslepen of verkeerd gezette tanden maken een smalle zaagsnede wat leidt tot grote wrijving, vastlopen en terugslag.
14. **De vergrendelhendels voor het instellen van de zaagbladdiepte en verstekhoek moeten vastzitten alvorens te beginnen met zagen.** Als de instellingen van het zaagblad zich tijdens het zagen wijzigen, kan dit leiden tot vastlopen of terugslag.
15. **Wees extra voorzichtig wanneer u in een bestaande wand zacht of op een andere plaats waarvan u de onderkant van het zaagoppervlak niet kunt zien.** Wanneer het zaagblad door het materiaal heen breekt, kan het een voorwerp raken waardoor een terugslag optreedt.
16. **Houd het gereedschap ALTIJD met beide handen stevig vast. Plaats NOOIT uw hand of vingers achter de zaag.** Als een terugslag optreedt, kan de zaag gemakkelijk achteruit en over uw hand springen waardoor ernstig persoonlijk letsel ontstaat (zie afb. 4).
17. **Dwing de zaag nooit. Duw de zaag vooruit met een snelheid waarbij het zaagblad niet vertraagt.** Als u de zaag dwingt, kan dat leiden tot een ongelijkmatige zaagsnede, verminderde nauwkeurigheid en mogelijke terugslag.

Onderste beschermkap

18. **Controleer voor ieder gebruik of de onderste beschermkap goed sluit. Gebruik de cirkelzaag niet als de onderste beschermkap niet vrij kan bewegen en onmiddellijk sluit. Zet de onderste beschermkap nooit vast in de geopende stand.** Als u de cirkelzaag per ongeluk laat vallen, kan de onderste beschermkap worden verbogen. Til de onderste beschermkap op aan de terugtrekhandel en controleer dat deze vrij kan bewegen en niet het zaagblad of enig ander onderdeel raakt, onder alle verstekhoeken en op alle zaagdiepten.
19. **Controleer de werking van de onderste beschermkap. Als de beschermkap en de veer niet goed werken, dienen deze te worden gerepareerd voordat de cirkelzaag wordt gebruikt.** De onderste beschermkap kan traag werken als gevolg van beschadigde onderdelen, gom- of harsafzetting, of opeenhoping van vuil.
20. **De onderste beschermkap mag alleen met de hand worden geopend voor het maken van speciale zaagsneden, zoals een "invalzaagsnede" en "samengestelde zaagsnede".** Til de onderste beschermkap op aan de terugtrekhandel en laat deze los zodra het zaagblad in het materiaal zaagt.

Bij alle andere typen zaagsneden, dient de onderste beschermkap automatisch te werken.

21. **Let er altijd op dat de onderste beschermkap het zaagblad bedekt voordat u de cirkelzaag op een werkbank of vloer neerlegt.** Een onbeschermd zaagblad dat nog nadraait, zal de cirkelzaag achteruit doen lopen waarbij alles op zijn weg wordt gezaagd. Denk eraan dat nadat de cirkelzaag is uitgeschakeld het nog enige tijd duurt voordat het zaagblad stilstaat.
 22. **U kunt de onderste beschermkap controleren, door deze met de hand te openen, los te laten en te kijken hoe hij sluit. Controleer tevens of de terugtrekhandel de behuizing van het gereedschap niet raakt.** Het zaagblad onbeschermd laten is UITERST GEVAARLIJK en kan leiden tot ernstig persoonlijk letsel.
- Aanvullende veiligheids waarschuwingen**
23. **Wees extra voorzichtig bij het zagen in nat hout, druk-behandeld timmerhout en hout met knoesten.** Zorg ervoor dat de cirkelzaag soepel vooruit blijft gaan zonder dat de snelheid van het zaagblad lager wordt om te voorkomen dat de punten van het zaagblad warm worden.
 24. **Probeer niet afgezaagd materiaal te verwijderen terwijl het zaagblad nog draait. Wacht totdat het zaagblad volledig tot stilstand is gekomen voordat u het afgezaagde materiaal vastpakt.** Het zaagblad draait nog na nadat het gereedschap is uitgeschakeld.
 25. **Voorkom dat u in spijkers schaaft. Inspecteer het hout op spijkers en verwijder deze zo nodig voordat u begint te zagen.**
 26. **Plaats het bredere deel van de zool van de cirkelzaag op het deel van het werkstuk dat goed is ondersteund, en niet op het deel dat omlaag valt nadat de zaagsnede gemaakt is. Als voorbeeld laat afbeelding 5 zien hoe u het uiteinde van een plank GOED afzaagt, en afbeelding 6 hoe u dit VERKEERD doet. Als het werkstuk kort of smal is, klemt u het vast. PROBEER NOOIT EEN KORT WERKSTUK IN UW HANDEN VAST TE HOUDEN!**
 27. **Voordat u het gereedschap neerlegt na het voltooiën van een zaagsnede, controleert u dat de onderste beschermkap gesloten is en het zaagblad volledig tot stilstand is gekomen.**
 28. **Probeer nooit te zagen waarbij de handcirkelzaag ondersteboven in een bankschroef is geklemd. Dit is uiterst gevaarlijk en kan leiden tot ernstig persoonlijk letsel (zie afb. 7).**
 29. **Sommige materialen bevatten chemische stoffen die giftig kunnen zijn. Neem voorzorgsmaatregelen tegen het inademen van stof en contact met de huid. Volg de veiligheidsinstructies van de leverancier van het materiaal op.**
 30. **Breng het zaagblad niet tot stilstand door zijdelings op het zaagblad te drukken.**
 31. **Gebruik geen slijpschijven.**
 32. **Gebruik uitsluitend een zaagblad met een diameter die is aangegeven op het gereedschap of vermeld in de gebruiksaanwijzing.** Het gebruik van een zaagblad met een verkeerde afmeting kan de goede bescherming van het zaagblad of de werking van de beschermkap negatief beïnvloeden waardoor ernstig persoonlijk letsel kan ontstaan.

33. **Houd het zaagblad scherp en schoon.** Gom of hars dat op het zaagblad is opgedroogd vertraagt de zaag en verhoogt de kans op terugslag. Houd het zaagblad schoon door dit eerst van het gereedschap te demontieren en het vervolgens schoon te maken met een reinigingsmiddel voor gom en hars, heet water of kerosine. Gebruik nooit benzine.
34. **Draag een stofmasker en gehoorbescherming tijdens gebruik van het gereedschap.**

BEWAAR DEZE INSTRUCTIES.

⚠ WAARSCHUWING:

Laat u NIET misleiden door een vals gevoel van comfort en bekendheid met het gereedschap (na veelvuldig gebruik) en neem alle veiligheidsvoorschriften van het betreffende product altijd strikt in acht. VERKEERD GEBRUIK of het niet volgen van de veiligheidsinstructies in deze gebruiksaanwijzing kan leiden tot ernstig persoonlijk letsel.

BESCHRIJVING VAN DE FUNCTIES

⚠ LET OP:

- Controleer altijd of het gereedschap is uitgeschakeld en de stekker uit het stopcontact is getrokken alvorens de functies van het gereedschap te controleren of af te stellen.

De zaagdiepte instellen

⚠ LET OP:

- Nadat u de zaagdiepte hebt ingesteld, zet u de hendel altijd stevig vast (zie afb. 8).

Draai de hendel van de dieptegeleider los en beweeg de zool omhoog of omlaag. Zet de zool vast op de gewenste zaagdiepte door de hendel vast te zetten.

Voor een schonere, veiligere zaagsnede, stelt u de zaagdiepte zodanig in dat niet meer dan een tandhoogte door het werkstuk heen steekt. Door de zaagdiepte goed in te stellen, verkleint u de kans op een potentieel gevaarlijke TERUGSLAG, en daarmee op persoonlijk letsel.

Verticaal verstekzagen (zie afb. 9 en 10)

Maak de klembouten los. Stel de gewenste verstekhoek in (0° tot 45°) door dienovereenkomstig te kantelen, en draai vervolgens de klembouten weer stevig vast.

Zichtlijn (zie afb. 11)

Voor recht zagen lijnt u de stand 0° op de voorkant van de zool uit met de zaaglijn. Voor verstekzagen onder een hoek van 45°, gebruikt u lijnt u uit met de stand 45°.

Werking van de aan-uitschakelaar

⚠ LET OP:

- Controleer altijd, voordat u de stekker in het stopcontact steekt, of de aan-uitschakelaar op de juiste manier schakelt en weer terugkeert naar de "UIT"-stand nadat deze is losgelaten.

- Knijp de aan-uitschakelaar niet hard in zonder de uit-vergrendelknop te bedienen. Hierdoor kan de aan-uitschakelaar kapot gaan (zie afb. 12).

Om te voorkomen dat de aan-uitschakelaar per ongeluk wordt bediend, is een uit-vergrendelknop aangebracht. Om het gereedschap te starten, drukt u de uit-vergrendelknop in en knijpt u de aan-uitschakelaar in. Laat de aan-uitschakelaar los om het gereedschap te stoppen.

⚠ WAARSCHUWING:

- Omwille van uw veiligheid is dit gereedschap uitgerust met een uit-vergrendelknop die voorkomt dat het gereedschap onbedoeld wordt ingeschakeld. Gebruik het gereedschap NOOIT wanneer het kan worden ingeschakeld door alleen de aan-uitschakelaar in te knijpen zonder de uit-vergrendelknop in te drukken. Stuur het gereedschap voor deugdelijke reparatie terug naar een Makita-servicecentrum ALVORENS het verder te gebruiken.
- U mag NOOIT de uit-vergrendelknop met plakband vastzetten of anderszins de werking en functie ervan te niet doen.

DE ONDERDELEN MONTEREN

⚠ LET OP:

- Controleer altijd of het gereedschap is uitgeschakeld en de stekker uit het stopcontact is getrokken alvorens de functies van het gereedschap te controleren of af te stellen.

Het zaagblad aanbrengen en verwijderen

⚠ LET OP:

- Verzeker u ervan dat het zaagblad zodanig wordt aangebracht dat de tanden aan de voorkant van het gereedschap omhoog wijzen.
- Gebruik uitsluitend de Makita-inbussleutel voor het aanbrengen en verwijderen van het zaagblad.

Als u het zaagblad wilt verwijderen, drukt u eerst de asvergrendeling in zodat het zaagblad niet meer kan draaien, en gebruikt u vervolgens de inbussleutel om de inbusbout linksom los te draaien. Verwijder daarna de inbusbout, de buitenflens en het zaagblad (zie afb. 13). Vergeet niet tijdens het verwisselen van het zaagblad ook de bovenste en onderste beschermkappen te ontdoen van opgehoopt zaagsel. Ondanks dergelijk onderhoud blijft het noodzakelijk de werking van de onderste beschermkap voor ieder gebruik te controleren (zie afb. 14).

Voor gereedschap met een binnenflens voor een zaagblad met een middengatdiameter anders dan 15,88 mm (zie afb. 15)

De binnenflens heeft een uitstulping met een zekere diameter aan één zijde en een uitstulping met een andere diameter aan de andere zijde. Kies de juiste zijde waarvan de uitstulping perfect in het middengat van het zaagblad past.

Plaats vervolgens de binnenflens zodanig op de montageas dat de zijde van de binnenflens met de juiste uitstulping naar buiten wijst, en breng daarna het zaagblad, de buitenflens en de inbusbout aan. ZORG ERVOOR DAT U DE INBUSBOUT RECHTSOM STEVIG VASTDRAAIT.

⚠ LET OP:

- **Zorg ervoor dat de uitstulping “a” van de binnenflens die naar buiten wijst, perfect past in het middengat “a” van het zaagblad.** Als u het zaagblad op de verkeerde kant van de binnenflens aanbrengt, kunnen gevaarlijke trillingen het gevolg zijn.

Voor gereedschap met een binnenflens voor een zaagblad met een middengatdiameter van 15,88 mm (afhankelijk van het land) (zie afb. 16 en 17)

Plaats de binnenflens met de verzonken kant naar buiten gericht op de montageas en breng daarna het zaagblad (met daarop zo nodig de ring bevestigd), de buitenflens en de inbusbout aan.

ZORG ERVOOR DAT U DE INBUSBOUT RECHTSOM STEVIG VASTDRAAIT.

⚠ WAARSCHUWING:

- **Voordat het zaagblad op de as wordt geplaatst, moet u ervoor zorgen dat de juiste ring, passend voor het asgat van het zaagblad, is aangebracht tussen de binnen- en buitenflens.** Het gebruik van een verkeerde asgating kan resulteren in een gebrekkige montage van het zaagblad waardoor dit kan bewegen en sterk trillen met mogelijk controleverlies en ernstige verwondingen tot gevolg.

Opbergplaats van de inbussleutel (zie afb. 18)

Wanneer u de inbussleutel niet gebruikt, bergt u deze op de plaats aangegeven in de afbeelding op, om te voorkomen dat deze wordt verloren.

Aansluiten op een stofzuiger (optioneel accessoire) (zie afb. 19 en 20)

Wanneer u tijdens het zagen schoon wilt werken, sluit u een Makita-stofzuiger aan op uw gereedschap. Monteer de stofafzuigaansluitmond op het gereedschap met behulp van de bout. Sluit vervolgens de stofzuigerslang aan op de stofafzuigaansluitmond, zoals aangegeven in de afbeelding.

BEDIENING

⚠ LET OP:

- Duw het gereedschap voorzichtig in een rechte lijn naar voren. Als u het gereedschap dwing of verdraait, zal de motor oververhit raken en het gereedschap gevaarlijk terugslaan waardoor ernstig letsel kan worden veroorzaakt.
- Gebruik altijd de voorhandgreep en achterhandgreep, en houd het gereedschap tijdens gebruik stevig vast aan zowel de voorhandgreep als de achterhandgreep (zie afb. 21).

Houd het gereedschap stevig vast. Het gereedschap is voorzien van zowel een voorhandgreep als een achterhandgreep. Gebruik beide om het gereedschap zo goed mogelijk vast te houden. Als u de cirkelzaag met beide handen vasthoudt, kunt u nooit in uw handen zagen. Plaats eerst de zool op het werkstuk dat u wilt zagen, zonder dat het zaagblad het werkstuk raakt. Schakel vervolgens het gereedschap in en wacht totdat het zaagblad op volle snelheid draait. Duw het gereedschap nu gewoon naar voren over het oppervlak

van het werkstuk, houd het daarbij vlak, en duw gelijkmatig totdat het zagen klaar is. Zorg voor een schone zaagsnede door een rechte zaaglijn en een constante voortgaande snelheid. Als de zaagsnede niet verloopt volgens de voorgenomen zaaglijn, mag u niet proberen het gereedschap iets te draaien of te dwingen terug te keren naar de zaaglijn. Als u dit doet, kan het zaagblad vastlopen en een gevaarlijke terugslag optreden met mogelijk ernstig persoonlijk letsel tot gevolg. Laat de aan-uitschakelaar los, wacht tot het zaagblad tot stilstand is gekomen en trek vervolgens het gereedschap terug. Lijn het gereedschap opnieuw uit met een nieuwe zaaglijn en begin weer te zagen. Probeer te vermijden dat door de positie van het gereedschap de gebruiker wordt blootgesteld aan zaagsel en spaanders die door het gereedschap worden uitgeworpen. Gebruik oogbescherming om verwonding te voorkomen.

Breedtegeleider (liniaal) (optioneel accessoire) (zie afb. 22)

Met de handige breedtegeleider kunt u extra nauwkeurig recht zagen. Schuif gewoon de breedtegeleider strak tegen de zijkant van het werkstuk en zet deze op zijn plaats vast met behulp van de klembout op de voorkant van de zool van het gereedschap. Op deze manier is het tevens mogelijk een zaagbeweging te herhalen met identieke breedte.

ONDERHOUD

⚠ LET OP:

- Zorg er altijd voor dat het gereedschap is uitgeschakeld en de stekker uit het stopcontact is getrokken, voordat u een inspectie of onderhoud uitvoert.
- **Reinig de bovenste en onderste beschermkappen om er zeker van te zijn dat er geen opgehoopt zaagsel in zit dat de werking van het onderste beschermkapmechanisme kan hinderen.** Een vuil beschermkapmechanisme kan de goede werking hinderen, waardoor ernstig persoonlijk letsel kan ontstaan. De meest effectieve manier om dit reinigen uit te voeren is met perslucht. **Als het vuil uit de beschermkappen wordt geblazen, dient u geschikte oog- en ademhalingsbescherming te gebruiken.**
- Gebruik nooit benzine, wasbenzine, thinner, alcohol, enz. Dit kan leiden tot verkleuren, vervormen of barsten.

Het zaagblad parallel stellen aan de zool (zie afb. 23)

In de fabriek is het zaagblad parallel gesteld aan de zool van de cirkelzaag. Maar als dit niet meer juist is, kunt u dit afstellen met de volgende procedure. Controleer of alle hendels, bouten en schroeven vastgedraaid zijn. Draai de bout iets los, zoals afgebeeld. Terwijl u de onderste beschermkap geopend houdt, verplaatst u de achterkant van de zool zodanig dat de afstanden A en B gelijk zijn. Draai na het afstellen de bout vast. Maak een proefzaagsnede om te controleren of het zaagblad parallel staat aan de zool van de cirkelzaag.

Het zaagblad nauwkeurig instellen op 0° (zie afb. 24 en 25)

Deze instelling is reeds in de fabriek gemaakt. Maar als dit niet meer juist is, draait u de instelbouten met een inbussleutel terwijl u de zaaghoek van 0° tussen het zaagblad en de zool van het gereedschap controleert met behulp van een winkelhaak, geodriehoek, enz.

De koolborstels vervangen (zie afb. 26)

Verwijder en controleer de koolborstels regelmatig. Vervang deze wanneer ze tot aan de slijtgrensmarkering zijn afgesleten. Houd de koolborstels schoon en zorg ervoor dat ze vrij kunnen bewegen in de houders. Beide koolborstels dienen tegelijkertijd te worden vervangen. Gebruik alleen identieke koolborstels. Gebruik een schroevendraaier om de koolborsteldoppen te verwijderen. Haal de versleten koolborstels eruit, plaats de nieuwe erin, en zet de koolborsteldoppen goed vast (zie afb. 27).

Om de VEILIGHEID en BETROUWBAARHEID van het gereedschap te handhaven, dienen alle reparaties, onderhoud en afstellingen te worden uitgevoerd door een erkend Makita-servicecentrum, en altijd met gebruikmaking van originele Makita-ervangingsonderdelen.

VERKRIJGBARE ACCESSOIRES

⚠ LET OP:

- Deze accessoires of hulpstukken worden aanbevolen voor gebruik met het Makita-gereedschap dat in deze gebruiksaanwijzing wordt beschreven. Het gebruik van andere accessoires of hulpstukken kan gevaar voor persoonlijk letsel opleveren. Gebruik de accessoires of hulpstukken uitsluitend voor de aangegeven gebruiksdoeleinden.

Mocht u meer informatie willen hebben over deze accessoires, dan kunt u contact opnemen met uw plaatselijke Makita-servicecentrum.

- Zaagblad
- Breedtegeleider (liniaal)
- Geleiderail
- Geleiderailadapter
- Liniaal
- Stofafzuigaansluitmond
- Inbussleutel

OPMERKING:

- Sommige items op de lijst kunnen zijn inbegrepen in de doos van het gereedschap als standaard toebehoren. Zij kunnen van land tot land verschillen.

Geluid

ENG905-1

De typische, A-gewogen geluids niveaus zijn gemeten volgens EN60745:

- Geluidsdruk niveau (L_{pA}): 87 dB (A)
- Geluidsvermogen niveau (L_{WA}): 98 dB (A)
- Onzekerheid (K): 3 dB (A)

Draag gehoorbescherming.

Trillingen

ENG900-1

De totale trillingswaarde (triaxiale vectorsom) zoals vastgesteld volgens EN60745:

Gebruikstoepassing: zagen van hout
Trillingsemissie ($a_{h,w}$): 2,5 m/s² of lager
Onzekerheid (K): 1,5 m/s²

ENG901-1

- De opgegeven trillingsemissiewaarde is gemeten volgens de standaardtestmethode en kan worden gebruikt om dit gereedschap te vergelijken met andere gereedschappen.
- De opgegeven trillingsemissiewaarde kan ook worden gebruikt voor een beoordeling vooraf van de blootstelling.

WAARSCHUWING:

- De trillingsemissie tijdens het gebruik van het elektrisch gereedschap in de praktijk kan verschillen van de opgegeven trillingsemissiewaarde afhankelijk van de manier waarop het gereedschap wordt gebruikt.
- Zorg ervoor dat veiligheidsmaatregelen worden getroffen ter bescherming van de operator die zijn gebaseerd op een schatting van de blootstelling onder praktijkomstandigheden (rekening houdend met alle fasen van de bedrijfscyclus, zoals de tijdsduur gedurende welke het gereedschap is uitgeschakeld en stationair draait, naast de ingeschakelde tijdsduur).

Alleen voor Europese landen

ENH101-18

EU-verklaring van conformiteit

Makita verklaart dat de volgende machine(s):

Aanduiding van de machine:
Handcirkelzaag
Modelnr./Type: HS7601

Voldoen aan de volgende Europese richtlijnen: 2006/42/EG

Deze zijn gefabriceerd in overeenstemming met de volgende normen of genormaliseerde documenten:
EN60745

Het technische bestand volgens 2006/42/EG is verkrijgbaar bij:

Makita, Jan-Baptist Vinkstraat 2, 3070, België

21. 4. 2014



Yasushi Fukaya
Directeur

Makita, Jan-Baptist Vinkstraat 2, 3070, België

ESPAÑOL (Instrucciones originales)

Explicación de los dibujos

- | | | |
|-------------------------------------|----------------------------|------------------------------|
| 1. Palanca | 10. Apretar | 19. Aspiradora |
| 2. Tornillo de sujeción | 11. Brida interior | 20. Manguera |
| 3. Línea de corte (posición de 0°) | 12. Disco de sierra | 21. Tope lateral |
| 4. Línea de corte (posición de 45°) | 13. Brida exterior | 22. Escuadra |
| 5. Interruptor disparador | 14. Perno hexagonal | 23. Marca de límite |
| 6. Botón de desbloqueo | 15. Eje de montaje | 24. Destornillador |
| 7. Llave hexagonal | 16. Anillo | 25. Tapa del portaescobillas |
| 8. Bloqueo del eje | 17. Boquilla para el polvo | |
| 9. Aflojar | 18. Tornillo | |

ESPECIFICACIONES

Modelo	HS7601	
Diámetro del disco	190 mm	
Profundidad de corte máxima	a 0°	66 mm
	a 45°	46 mm
Velocidad en vacío	5.200 min ⁻¹	
Longitud total	309 mm	
Peso neto	4,0 kg	
Clase de seguridad	□/II	

- Debido a nuestro programa continuo de investigación y desarrollo, las especificaciones aquí descritas están sujetas a cambios sin previo aviso.
- Las especificaciones pueden ser diferentes de un país a otro.
- Peso de acuerdo con el procedimiento EPTA 01/2003

Uso previsto

ENE078-2

La herramienta está diseñada para realizar cortes rectos y cortes a inglete longitudinal y transversalmente en madera mientras mantiene un firme contacto con la pieza de trabajo. Con discos de sierra originales de Makita adecuados también se pueden serrar otros materiales.

Alimentación

ENF002-2

La herramienta debe conectarse solamente a una fuente de alimentación de la misma tensión que la indicada en la placa de características, y sólo puede funcionar con corriente alterna monofásica. La herramienta cuenta con un doble aislamiento y puede, por lo tanto, usarse también en tomacorrientes sin conductor de tierra.

Advertencias de seguridad generales para herramientas eléctricas

GEA010-1

⚠ ADVERTENCIA Lea todas las advertencias de seguridad y todas las instrucciones. La no observancia de las advertencias y las instrucciones puede provocar descargas eléctricas, incendios y/o lesiones graves.

Guarde todas las advertencias e instrucciones para futuras consultas.

ADVERTENCIAS DE SEGURIDAD PARA LA SIERRA CIRCULAR

GEB013-7

Procedimientos de corte

1. **⚠ PELIGRO:** Mantenga las manos alejadas del área de corte y del disco. Mantenga la segunda mano en el mango auxiliar o en el alojamiento del motor. Si sujeta la sierra con las dos manos, evitará la posibilidad de sufrir cortes del disco.
2. **Nunca se ponga debajo de la pieza de trabajo.** El protector no puede protegerle del disco debajo de la pieza de trabajo.
3. **Ajuste la profundidad de corte al grosor de la pieza de trabajo.** Debe verse menos de un diente del disco completo por debajo de la pieza de trabajo.
4. **Nunca sujete la pieza que se esté cortando con las manos o las piernas.** Fije la pieza de trabajo a una plataforma estable. Es importante sujetar la pieza de trabajo correctamente para minimizar la exposición del cuerpo, el agarrotamiento del disco o la pérdida de control.
Ilustración típica de cómo colocar las manos, la pieza de trabajo y el cable de alimentación (si es aplicable). (Fig. 1)
5. **Sujete la herramienta eléctrica solamente por las superficies de agarre aisladas al realizar una operación en que la herramienta de corte pueda entrar en contacto con cables ocultos o con su propio cable.** Si entra en contacto con un cable con corriente, puede que las piezas metálicas expuestas de la herramienta eléctrica se carguen también de

corriente y que el operario reciba una descarga eléctrica.

6. **Cuando corte al hilo, utilice siempre un tope lateral o una guía de borde recto.** Esto mejora la precisión del corte y reduce la posibilidad de que el disco se agarrote.
7. **Utilice siempre discos con la forma (diamante o redondo) y el tamaño correctos de los agujeros del eje del disco.** Los discos que no coincidan con los elementos de montaje de la sierra funcionarán de forma excéntrica, lo que causará una pérdida de control.
8. **Nunca utilice arandelas o pernos de disco dañados o incorrectos.** El perno y las arandelas del disco se han diseñado específicamente para su sierra, para una seguridad y un rendimiento óptimos.

Causas de contragolpes y advertencias al respecto

- Un contragolpe es una reacción repentina provocada por un disco mal alineado, comprimido por la madera o agarrotado en ella, que hace perder el control de la sierra y que ésta se levante y salte desde la pieza de trabajo hacia el operario.
- Cuando el corte comprime el disco al cerrarse o hace que este se agarrote, el disco se atasca y la reacción del motor empuja la unidad rápidamente hacia atrás, hacia el operario.
- Si el disco se fuerce o está mal alineado en el corte, los dientes de su borde posterior pueden clavarse en la superficie posterior de la madera, haciendo que el disco se salga del corte y salte hacia el operario.

El contragolpe es el resultado de un mal uso de la sierra o de condiciones o procedimientos de uso incorrectos y se puede evitar tomando las precauciones que se indican a continuación.

9. **Sujete la sierra firmemente con las dos manos y coloque sus brazos de forma que ofrezcan resistencia a las fuerzas de contragolpe. Coloque su cuerpo a un lado del disco, pero nunca en línea con él.** El contragolpe puede provocar que la sierra salte hacia atrás; no obstante, el operario puede controlar la fuerza del contragolpe si toma las precauciones adecuadas.
10. **Si el disco se agarrota o si se interrumpe el corte por cualquier motivo, suelte el disparador y mantenga la sierra quieta sobre el material hasta que el disco se detenga por completo. Nunca intente retirar la sierra de la pieza de trabajo ni tire de la sierra hacia atrás mientras el disco esté en movimiento ya que se podría producir un contragolpe.** Investigue la causa del agarrotamiento del disco y tome las acciones correctoras para eliminarlo.
11. **Cuando vuelva a poner en marcha la sierra sobre la pieza de trabajo, centre el disco de sierra en el corte y compruebe que sus dientes no estén en contacto con el material.** Si el disco de sierra se agarrota, puede escalar la pieza de trabajo o provocar un contragolpe cuando se vuelve a poner en marcha.
12. **Sujete los paneles grandes para minimizar el riesgo de que la madera comprima el disco y se produzca un contragolpe.** Los paneles grandes tienden a hundirse bajo su propio peso. Deben colocarse soportes bajo el panel en ambos lados, cerca de la línea de corte y del borde del panel.

Para evitar los contragolpes, sujete el tablero o el panel cerca del corte. (Fig. 2)

No sujete el tablero o el panel lejos del corte. (Fig. 3)

13. **No utilice discos romos o dañados.** Los discos sin afilar o mal montados hacen que la entalladura sea estrecha, lo que provoca una fricción excesiva, un agarrotamiento del disco y el contragolpe.
14. **Las palancas de bloqueo del ajuste de bisel y de profundidad del disco deben estar bien apretadas y seguras antes de realizar el corte.** Si el ajuste del disco cambia durante el corte, se puede producir agarrotamiento y contragolpes.
15. **Tenga especial cuidado cuando sierra en paredes u otras áreas ciegas.** El disco puede cortar objetos que pueden provocar contragolpes.
16. **Sujete SIEMPRE la herramienta firmemente con ambas manos. NUNCA coloque la mano o los dedos detrás de la sierra.** Si se produce un contragolpe, la sierra puede saltar fácilmente hacia atrás sobre su mano, lo que provocaría graves lesiones personales. (Fig. 4)
17. **No fuerce nunca la sierra. Empuje la sierra hacia delante a una velocidad en la que la sierra corte sin reducir su velocidad.** Si se fuerza la sierra, los cortes pueden ser desiguales, se puede perder precisión y se pueden producir contragolpes.

Función del protector inferior

18. **Compruebe si el protector inferior está bien cerrado antes de cada uso. No utilice la sierra si el protector inferior no se mueve libremente y no se cierra instantáneamente. Nunca sujete ni mantenga el protector inferior en la posición abierta.** Si la sierra cae accidentalmente, la protección inferior se puede doblar. Levante el protector inferior con el mango para retraerlo y asegúrese de que se mueva libremente y que no toque el disco ni ninguna otra parte, en todos los ángulos y profundidades de corte.
19. **Compruebe el funcionamiento del muelle del protector inferior. Si el protector y el muelle no funcionan correctamente, deben repararse antes de utilizar la herramienta.** El protector inferior puede funcionar con lentitud debido a piezas dañadas, depósitos pegajosos o acumulación de suciedad.
20. **El protector inferior puede retrasarse manualmente solo para cortes especiales como “cortes de inmersión” y “cortes compuestos”. Levante el protector inferior mediante el mango para retraerlo y cuando el disco entre en el material, debe soltarse el protector inferior.** Para todos los otros cortes con sierra, el protector inferior debe funcionar automáticamente.
21. **Compruebe siempre que el protector inferior cubra el disco antes de colocar la sierra sobre un banco o en el suelo.** Un disco sin proteger, que gire por inercia, puede hacer que la sierra se desplace hacia atrás, cortando lo que esté en su camino. Tenga en cuenta que el disco tarda un tiempo en detenerse después de soltar el interruptor.
22. **Para comprobar el protector inferior, ábralo a mano, suéltelo y compruebe si se cierra. Compruebe también que el mango, para retraerlo, no toque el alojamiento de la herramienta. Dejar el**

disco al descubierto es MUY PELIGROSO y puede provocar graves lesiones personales.

Advertencias de seguridad adicionales

23. **Tenga especial cuidado cuando corte madera mojada, madera sometida a presión, o madera que contenga nudos.** Mantenga un avance suave de la herramienta sin reducir la velocidad del disco para evitar un sobrecalentamiento de las puntas del disco.
24. **No intente retirar material cortado cuando el disco se esté moviendo. Espere hasta que el disco se detenga antes de agarrar el material cortado.** Los discos siguen girando después de apagar la herramienta.
25. **Evite cortar clavos. Compruebe si hay clavos y retirelos antes de realizar el corte.**
26. **Coloque la parte más ancha de la base de la sierra sobre la pieza de trabajo que está firmemente apoyada, no sobre la sección que caerá cuando se realice el corte. Como ejemplos, la Fig. 5 ilustra la manera CORRECTA de cortar el extremo de un tablón y la Fig. 6, la manera INCORRECTA. Si la pieza de trabajo es corta o pequeña, sujétela con una abrazadera. ¡NO INTENTE SUJETAR LAS PIEZAS PEQUEÑAS CON LA MANO!**
27. **Antes de dejar la herramienta tras completar un corte, asegúrese de que el protector inferior se haya cerrado y que el disco se haya detenido por completo.**
28. **Nunca intente serrar con la sierra circular boca arriba. Es extremadamente peligroso y puede provocar graves accidentes. (Fig. 7)**
29. **Algunos materiales contienen sustancias químicas que pueden ser tóxicas. Procure evitar la inhalación de polvo y el contacto con la piel. Siga los datos de seguridad del proveedor del material.**
30. **No detenga los discos mediante presión lateral sobre el disco de la sierra.**
31. **No utilice discos abrasivos.**
32. **Utilice solo discos de sierra con el diámetro marcado en la herramienta o especificado en el manual.** El uso de un disco con un tamaño incorrecto puede afectar a la correcta protección del disco o al funcionamiento del protector, lo que podría causar graves lesiones personales.
33. **Mantenga el disco limpio y afilado.** La goma y la resina de madera endurecidas sobre los discos ralentizan la sierra y aumentan el potencial de contragolpe. Para mantener el disco limpio, retírelo de la herramienta, límpielo con un producto para eliminar goma y resina, agua caliente o petróleo. Nunca utilice gasolina.
34. **Utilice una mascarilla antipolvo y protección para los oídos cuando utilice la herramienta.**

GUARDE ESTAS INSTRUCCIONES.

⚠ ADVERTENCIA:

NO deje que la comodidad o la familiaridad con el producto (a base de utilizarlo repetidamente) sustituyan la estricta observancia de las normas de seguridad del producto en cuestión. El MAL USO o la no observancia de las normas de seguridad

expuestas en este manual de instrucciones pueden ocasionar graves daños corporales.

DESCRIPCIÓN DEL FUNCIONAMIENTO

⚠ PRECAUCIÓN:

- Asegúrese siempre de que la herramienta esté apagada y desenchufada antes de intentar realizar cualquier tipo de ajuste o comprobación en ella.

Ajuste de la profundidad de corte

⚠ PRECAUCIÓN:

- Después de ajustar la profundidad de corte, apriete siempre la palanca con firmeza. (Fig. 8)

Afloje la palanca de la guía de profundidad y suba o baje la base. Cuando haya alcanzado la profundidad de corte deseada, fije la base apretando la palanca.

Para lograr cortes más limpios y seguros, fije la profundidad de corte de forma que no sobresalga más de un diente del disco por debajo de la pieza de trabajo. El uso de una profundidad de corte correcta ayuda a reducir la posibilidad de peligrosos CONTRAGOLPES que pueden provocar lesiones personales.

Corte en bisel (Fig. 9 y 10)

Afloje los tornillos de sujeción. Ajuste el ángulo deseado (0° - 45°) mediante la inclinación que corresponda y apriete firmemente los tornillos de sujeción.

Visor (Fig. 11)

Para cortes rectos, alinee la posición de 0° en la parte delantera de la base con la línea de corte. Para cortes en bisel de 45°, alinee la posición de 45° con la línea de corte.

Acción del interruptor

⚠ PRECAUCIÓN:

- Antes de enchufar la herramienta, asegúrese siempre de que el interruptor disparador funcione como es debido y de que vuelva a la posición "OFF" (apagado) al soltarlo.
- No apriete con fuerza el interruptor disparador sin presionar hacia dentro el botón de desbloqueo. Podría romper el interruptor. (Fig. 12)

Para evitar que el interruptor disparador pueda ser apretado accidentalmente, se ha provisto un botón de desbloqueo.

Para poner en marcha la herramienta, presione el botón de desbloqueo y tire del interruptor disparador. Suelte el interruptor disparador para detener la herramienta.

⚠ ADVERTENCIA:

- Por su propia seguridad, esta herramienta está equipada con un botón de desbloqueo que impide que la herramienta se pueda poner en marcha sin querer. No utilice NUNCA la herramienta si se pone en marcha cuando usted simplemente aprieta el interruptor disparador sin presionar el botón de desbloqueo. Lleve la herramienta a un centro de servicio Makita ANTES de seguir utilizándola.
- No sujete NUNCA con cinta adhesiva ni anule el propósito y la función del botón de desbloqueo.

MONTAJE

PRECAUCIÓN:

- Asegúrese siempre de que la herramienta esté apagada y desenchufada antes de intentar realizar cualquier tipo de ajuste o comprobación en ella.

Extracción o instalación del disco de sierra

PRECAUCIÓN:

- Asegúrese de que el disco esté instalado con los dientes apuntando hacia la parte delantera de la herramienta.
- Utilice solo la llave de Makita para instalar o extraer el disco.

Para extraer el disco, ejerza presión sobre el bloqueo del eje para que el disco no pueda girar y utilice la llave para aflojar el perno hexagonal en el sentido contrario a las agujas del reloj. A continuación, quite el perno hexagonal, la brida exterior y el disco. (Fig. 13)

Cuando cambie el disco, asegúrese de limpiar también el serrín acumulado en los protectores superior e inferior del disco. No obstante, tales esfuerzos no sustituyen la necesidad de comprobar el funcionamiento del protector inferior antes de cada uso. (Fig. 14)

Para la herramienta con la brida interna para un disco de sierra de diámetro de orificio diferente de 15,88 mm (Fig. 15)

La brida interior tiene un saliente de cierto diámetro en un lado y un saliente de diferente diámetro en el otro lado. Elija el lado correcto en el que el saliente encaje de forma perfecta en el orificio del disco de sierra.

A continuación, monte la brida interior en el eje de montaje de forma que el lado correcto del saliente de la brida interior mire hacia fuera y después coloque el disco de sierra y la brida exterior.

ASEGÚRESE DE APRETAR FIRMEAMENTE EL PERNO HEXAGONAL EN EL SENTIDO DE LAS AGUJAS DEL RELOJ.

PRECAUCIÓN:

- **Asegúrese de que el saliente “a” de la brida interior que se coloca fuera encaje perfectamente en el orificio “a” del disco de sierra.** Si monta el disco en el lado incorrecto pueden producirse vibraciones peligrosas.

Para la herramienta con la brida interior para disco de sierra con un diámetro de orificio de 15,88 mm (específico del país) (Fig. 16 y 17)

Monte la brida interior con el saliente hacia fuera en el eje de montaje y después coloque el disco de sierra (con el anillo acoplado si es necesario), la brida exterior y el perno hexagonal.

ASEGÚRESE DE APRETAR FIRMEAMENTE EL PERNO HEXAGONAL EN EL SENTIDO DE LAS AGUJAS DEL RELOJ.

ADVERTENCIA:

- **Antes de montar el disco en el eje, asegúrese siempre de que esté instalado entre las bridas interior y exterior el anillo correcto para el agujero del disco que vaya a utilizar.** El uso del anillo incorrecto para el agujero del disco puede provocar el montaje incorrecto del disco, causando el movimiento

del disco, y las fuertes vibraciones pueden provocar una pérdida de control durante el uso y graves lesiones personales.

Almacenamiento de la llave hexagonal (Fig. 18)

Cuando no la utilice, guarde la llave hexagonal como se muestra en la figura para evitar que se pierda.

Conexión de un aspirador (accesorio opcional) (Fig. 19 y 20)

Si desea realizar una operación de corte limpio, conecte un aspirador Makita a la herramienta. Instale la boquilla para el polvo en la herramienta utilizando el tornillo. A continuación, conecte una manguera del aspirador a la boquilla para el polvo como se muestra en la figura.

FUNCIONAMIENTO

PRECAUCIÓN:

- Asegúrese de desplazar la herramienta suavemente hacia delante en línea recta. Si se fuerza o se retuerce la herramienta se provocará un sobrecalentamiento del motor y un peligroso contragolpe, que puede causar graves lesiones personales.
- Utilice siempre la empuñadura delantera y sujete firmemente la herramienta por la empuñadura delantera y por el mango trasero durante el funcionamiento. (Fig. 21)

Sujete con fuerza la herramienta. La herramienta se suministra con una empuñadura delantera y un mango trasero. Utilice ambos elementos para sujetar mejor la herramienta. Si sujeta la sierra con las dos manos, no podrá sufrir cortes del disco. Coloque la base sobre la pieza de trabajo que debe cortarse sin que el disco realice ningún contacto. A continuación, encienda la herramienta y espere hasta que el disco alcance la velocidad máxima. Ahora solo tiene que empujar la herramienta hacia delante sobre la superficie de la pieza de trabajo, manteniéndola plana y avanzando suavemente hasta que el proceso de serrado se haya completado.

Para obtener cortes limpios, mantenga la línea de serrado recta y la velocidad de avance uniforme. Si el corte no sigue correctamente la línea de corte prevista, no intente girar la herramienta ni la fuerce para volver a la línea de corte. El disco puede agarrarse y provocar peligrosos contragolpes y posibles lesiones graves. Suelte el interruptor, espere a que el disco se pare y retire la herramienta. Vuelva a alinear la herramienta sobre la línea de corte y reinicie el corte. Intente no colocarse en una postura que exponga al operario a astillas y serrín que se expulsan desde la sierra. Utilice protección ocular para evitar lesiones.

Tope lateral (regla de guía) (accesorio opcional) (Fig. 22)

El útil tope lateral permite realizar cortes rectos de gran precisión. Solo tiene que deslizar el tope lateral cómodamente hasta el lateral de la pieza de trabajo y fijarlo en posición con el tornillo de sujeción de la parte delantera de la base. También hace que los cortes repetidos sean del ancho más uniforme posible.

MANTENIMIENTO

PRECAUCIÓN:

- Asegúrese siempre de que la herramienta esté apagada y desenchufada antes de intentar realizar cualquier trabajo de inspección o mantenimiento en ella.
- **Limpie los protectores superior e inferior para asegurarse de que no se haya acumulado serrín, lo que podría impedir el funcionamiento del sistema de protección inferior.** Un sistema de protección sucio puede limitar el funcionamiento correcto, lo que podría provocar graves lesiones personales. La forma más efectiva de realizar la limpieza es utilizar aire comprimido. **Si está soplando el polvo para retirarlo de los protectores, asegúrese de utilizar una protección adecuada para los ojos y el sistema respiratorio.**
- Nunca utilice gasolina, benceno, disolvente, alcohol o un producto similar. Se puede provocar una decoloración, una deformación o grietas.

Ajuste del paralelismo (Fig. 23)

El paralelismo entre el disco y la base se ha ajustado en fábrica. Sin embargo, si está desajustado, puede ajustarlo siguiendo este procedimiento.

Asegúrese de que todas las palancas y los tornillos estén ajustados. Afloje el tornillo ligeramente de acuerdo con la ilustración. Mientras está abierto el protector inferior, mueva la parte posterior de la base de forma que la distancia entre A y B sea la misma. Tras el ajuste, apriete el tornillo. Realice un corte de prueba para obtener un paralelismo correcto.

Ajustar la precisión para obtener un corte de 0° (corte vertical) (Fig. 24 y 25)

Este ajuste se ha realizado en fábrica. No obstante, si está desactivado, ajuste la posición de los tornillos del disco con una llave hexagonal mientras realiza una inspección a 0° respecto a la base, mediante una escuadra o una regla, etc.

Sustitución de las escobillas de carbón (Fig. 26)

Extraiga y compruebe periódicamente las escobillas de carbón. Cámbielas cuando el desgaste alcance la marca de límite. Mantenga las escobillas de carbón limpias y de forma que entren libremente en el portaescobillas. Ambas escobillas de carbón deberán ser sustituidas al mismo tiempo. Utilice únicamente escobillas de carbón idénticas. Utilice un destornillador para extraer las tapas del portaescobillas. Extraiga las escobillas de carbón gastadas, inserte las nuevas y vuelva a fijar las tapas del portaescobillas. (Fig. 27)

Para mantener la SEGURIDAD y la FIABILIDAD del producto, las reparaciones y cualquier otra tarea de mantenimiento o ajuste deberán ser realizadas en centros de servicio autorizados por Makita, utilizando siempre repuestos Makita.

ACCESORIOS OPCIONALES

PRECAUCIÓN:

- Se recomienda el uso de estos accesorios o complementos con la herramienta Makita especificada en este manual. El uso de otros accesorios o complementos puede conllevar el riesgo de ocasionar daños corporales. Utilice los accesorios o complementos solamente para su fin establecido.

Si necesita cualquier ayuda para obtener más información relativa a estos accesorios, pregunte a su centro de servicio Makita local.

- Discos de sierra
- Tope lateral (Regla de guía)
- Carril de guía
- Adaptador para carril de guía
- Barra de regla
- Boquilla para el polvo
- Llave hexagonal

NOTA:

- Algunos elementos de la lista se pueden incluir en el paquete de la herramienta como accesorios estándar. Pueden ser diferentes de un país a otro.

Ruido

ENG905-1

Niveles típicos de ruido ponderado A determinados conforme a EN60745:

Nivel de presión de sonido (L_{pA}): 87 dB (A)

Nivel de potencia sonora (L_{WA}): 98 dB (A)

Incertidumbre (K): 3 dB (A)

Utilice protección para los oídos.

Vibración

ENG900-1

Valor total de la vibración (suma de vectores triaxiales) determinado según el estándar EN60745:

Modo de trabajo: corte de madera

Emisión de vibraciones ($a_{h,rv}$): 2,5 m/s² o menos

Incertidumbre (K): 1,5 m/s²

ENG901-1

- El valor de emisión de vibraciones se ha medido de acuerdo con el método de prueba estándar y se puede utilizar para comparar herramientas.
- El valor de emisión de vibraciones declarado también se puede usar en una evaluación preliminar de la exposición.

ADVERTENCIA:

- La emisión de vibraciones durante el uso de la herramienta eléctrica puede diferir del valor de emisiones declarado, dependiendo de las formas en que se utiliza la herramienta.
- Asegúrese de identificar las mediciones correctas para proteger al operario, que se basan en una estimación de la exposición en condiciones de uso reales (teniendo en cuenta todas las partes del ciclo de operaciones, como los momentos en los que la herramienta está apagada y cuando funciona al ralentí además del tiempo en que está activado el interruptor).

Solo para países europeos

ENH101-18

Declaración de conformidad de la CE

Makita declara que las siguientes máquinas:

Designación de la máquina:

Sierra Circular

Nº de modelo/ Tipo: HS7601

Cumplen con las siguientes Directivas europeas:

2006/42/CE

Se han fabricado de acuerdo con los siguientes
estándares o documentos estandarizados:

EN60745

El archivo técnico de acuerdo con 2006/42/CE está
disponible en:

Makita, Jan-Baptist Vinkstraat 2, 3070, Bélgica

21. 4. 2014



Yasushi Fukaya

Director

Makita, Jan-Baptist Vinkstraat 2, 3070, Bélgica

PORTUGUÊS (Instruções de origem)

Descrição geral

- | | | |
|---------------------------------|------------------------|--------------------------------|
| 1. Alavanca | 10. Apertar | 19. Aspirador de pó |
| 2. Parafuso de fixação | 11. Flange interior | 20. Tubo flexível |
| 3. Linha de corte (Posição 0°) | 12. Lâmina da serra | 21. Vedação para escarificação |
| 4. Linha de corte (Posição 45°) | 13. Flange exterior | 22. Guia triangular |
| 5. Gatilho | 14. Parafuso sextavado | 23. Marca limite |
| 6. Botão de bloqueio | 15. Veio de montagem | 24. Chave de parafusos |
| 7. Chave sextavada | 16. Anel | 25. Tampa do porta-escovas |
| 8. Bloqueio do veio | 17. Bocal do pó | |
| 9. Desapertar | 18. Parafuso | |

ESPECIFICAÇÕES

Modelo	HS7601	
Diâmetro da lâmina	190 mm	
Profundidade máxima de corte	a 0°	66 mm
	a 45°	46 mm
Velocidade sem carga	5.200 min ⁻¹	
Comprimento total	309 mm	
Peso líquido	4,0 kg	
Classe de segurança	□/II	

- Devido à pesquisa e desenvolvimento constantes, estas especificações estão sujeitas a alteração sem aviso prévio.
- Estas especificações podem diferir de país para país.
- Peso de acordo com procedimento EPTA de 01/2003

Utilização prevista ENE078-2

Esta ferramenta destina-se a efectuar cortes rectos ao comprido e laterais e cortes angulares em madeira, mantendo um contacto firme com a peça de trabalho. Com lâminas de serra genuínas da Makita adequadas, também podem ser serrados outros materiais.

Fonte de alimentação ENF002-2

A ferramenta apenas deve ser ligada a uma fonte de alimentação da mesma tensão que a indicada na chapa de especificações, e apenas pode funcionar com uma alimentação CA monofásica. Estão blindadas duplamente e podem, assim, ser igualmente ligadas a tomadas sem fio terra.

Avisos gerais de segurança para ferramentas eléctricas GEA010-1

⚠ AVISO Leia todos os avisos de segurança e todas as instruções. O não cumprimento dos avisos e instruções pode resultar na ocorrência de choques eléctricos, incêndios e/ou ferimentos graves.

Guarde todos os avisos e instruções para referência futura.

AVISOS DE SEGURANÇA DA SERRA CIRCULAR GEB013-7

Procedimentos de corte

1. **⚠ PERIGO:** Mantenha as mãos afastadas da área de corte e da lâmina. Mantenha a outra mão na pega auxiliar ou caixa do motor. Se ambas as mãos

estiverem a segurar a serra, não podem ser cortadas pela lâmina.

2. **Não coloque as mãos por baixo da peça de trabalho.** O resguardo não o pode proteger da lâmina debaixo da peça de trabalho.
3. **Ajuste a profundidade de corte para a espessura da peça de trabalho.** Deve ser visível menos do que um dente completo dos dentes da lâmina abaixo da peça de trabalho.
4. **Nunca coloque a peça que está a ser cortada nas mãos ou em cima das pernas. Fixe a peça de trabalho a uma plataforma estável.** É importante suportar correctamente a peça de trabalho para minimizar a exposição do corpo, dobragem da lâmina ou perda de controlo.
Uma ilustração típica de um suporte correcto para as mãos, suporte da peça de trabalho e encaminhamento do cabo de alimentação (se aplicável). (Fig. 1)
5. **Quando executar operações em que ferramentas de corte possam entrar em contacto com fios eléctricos ocultos ou com próprio cabo eléctrico da ferramenta, tenha o cuidado de tocar apenas nas superfícies isoladas dessas ferramentas.** Se entrar em contacto com um cabo sob tensão, as partes metálicas expostas da ferramenta eléctrica podem ficar igualmente sob tensão, podendo provocar um choque eléctrico no operador.
6. **Quando escarificar, utilize sempre uma vedação para escarificação ou guia de margem direita.** Isto melhora a precisão do corte e reduz as possibilidades de dobragem da lâmina.
7. **Utilize sempre lâminas com o tamanho e forma correctos (diamante em vez de redondo) dos**

orifícios de alojamento. As lâminas que não correspondam ao hardware de instalação da serra funcionarão de forma excêntrica, provocando uma perda de controlo.

8. **Nunca utilize anilhas ou parafusos de lâmina danificados ou incorrectos.** As anilhas e parafusos da lâmina foram concebidos especificamente para a sua serra, para uma utilização ideal e segurança de funcionamento.

Causas de recuos e avisos relacionados

- O recuo é uma reacção súbita a uma lâmina de serra atarracada, empenhada ou não alinhada, fazendo com que uma serra não controlada se levante para fora da peça de trabalho, na direcção do operador;
- Quando a lâmina está atarracada ou bastante presa pelo corte a fechar, a lâmina pára e a reacção do motor atira a rapidamente a unidade na direcção do operador;
- Se a lâmina fica torta ou não alinhada no corte, os dentes na parte posterior da lâmina podem enterrar-se na superfície superior da madeira, fazendo com a lâmina suba para fora do corte e salte na direcção do operador.

O recuo é o resultado da má utilização da serra e/ou procedimentos de funcionamento incorrectos e pode ser evitado tomando as devidas precauções, tal como indicado em baixo.

9. **Agarre bem a serra com ambas as mãos e posicione os braços para resistir às forças de recuo. Posicione o seu corpo para um dos lados da lâmina, mas não alinhado com a lâmina.** O recuo pode fazer com que a serra salte para trás, mas as forças de recuo podem ser controladas pelo operador, se forem tomadas as devidas precauções.
10. **Quando a lâmina estiver a dobrar ou quando interromper um corte por qualquer razão, solte o gatilho e segure na serra sem a mexer no material, até que a lâmina pare completamente. Nunca tente remover a serra da peça de trabalho ou puxar a serra para trás enquanto a lâmina se estiver a mover, caso contrário, poderá ocorrer um recuo.** Investigue e tome acções correctivas para eliminar a causa do empeno da lâmina.
11. **Quando reiniciar uma serra na peça de trabalho, centre a lâmina da serra no corte e verifique se os dentes da serra não estão presos ao material.** Se a lâmina da serra estiver a dobrar, poderá levantar ou recuar da peça de trabalho, quando a serra é reiniciada.
12. **Dê suporte aos painéis de grandes dimensões, para minimizar o risco de atracar a lâmina e de recuo.** Os painéis de grandes dimensões tendem a abater sob o seu próprio peso. Os suportes devem ser colocados debaixo do painel em ambos os lados, perto da linha de corte e perto da margem da extremidade do painel.
Para evitar recuo, dê suporte à prancha ou painel perto do corte. (Fig. 2)
Não suporte a prancha ou painel longe do corte. (Fig. 3)
13. **Não utilize lâminas rombas ou danificadas.** As lâminas rombas ou incorrectamente configuradas produzem um corte estreito, causando fricção excessiva, atracamento da lâmina e recuo.

14. **As alavancas de regulação da profundidade da lâmina e bisel devem estar apertadas e fixas antes de cortar.** Se a regulação da lâmina mudar durante o corte, pode provocar a dobragem da lâmina e recuo.
15. **Tenha um cuidado especial quando serrar paredes existentes ou outras zonas cegas.** A lâmina saliente pode cortar objectos que provoquem recuo.
16. **Segure SEMPRE a ferramenta com firmeza, com as duas mãos. NUNCA coloque a mão ou dedos atrás da serra.** Se ocorrer recuo, a serra pode facilmente saltar para trás para cima da mão, provocando ferimentos graves. (Fig. 4)
17. **Nunca force a serra. Empurre a serra para a frente devagar, de forma a que a lâmina corte sem abrandar.** Forçar a serra pode causar cortes irregulares, perda de precisão e possível recuo.

Função do resguardo inferior

18. **Verifique se o resguardo da lâmina fecha correctamente antes de cada utilização. Não accione a serra se o resguardo inferior não se mover livremente e não se fechar imediatamente. Nunca prenda ou amarre o resguardo inferior na posição aberta.** Se a serra cair acidentalmente, o resguardo inferior pode estar dobrado. Levante o resguardo inferior com a alavanca de recolha e certifique-se de que se move livremente e não toca na lâmina ou qualquer outra parte, em todos os ângulos e profundidades de corte.
 19. **Verifique o funcionamento da mola do resguardo inferior. Se o resguardo e a mola não estiverem a funcionar correctamente, deve ser efectuada uma operação de manutenção antes de utilizar.** O resguardo inferior pode funcionar de forma lenta devido a peças danificadas, depósitos aderentes ou acumulação de resíduos.
 20. **O resguardo inferior deve ser recolhido manualmente, apenas para cortes especiais tais como “cortes a fundo” e “cortes compostos”.** Levante o resguardo inferior utilizando a alavanca de recolha logo que a lâmina entre no material, o resguardo deve ser libertado. Para todas as outras operações de serragem, o resguardo inferior deve funcionar automaticamente.
 21. **Verifique sempre se o resguardo inferior está a cobrir a lâmina antes de apoiar a serra num banco ou chão.** Uma lâmina desprotegida e a abrandar fará com que a serra avance para trás, cortando tudo o que estiver no seu caminho. Tenha em conta o tempo que a lâmina demora a parar após o interruptor ser libertado.
 22. **Para verificar o resguardo inferior, abra-o à mão e solte, verificando se fecha correctamente. Verifique igualmente se a alavanca de recolha não toca na caixa da ferramenta.** Deixar a lâmina exposta é MUITO PERIGOSO e pode levar a ferimentos pessoais graves.
- #### **Avisos de segurança adicionais**
23. **Tenha muito cuidado quando cortar madeira húmida, madeira com tratamento de pressão ou madeira com nós.** Mantenha um avanço suave da ferramenta sem diminuir a velocidade da lâmina para evitar sobreaquecer as pontas das lâminas.
 24. **Não tente remover material cortado quando a lâmina se estiver a mover. Aguarde até que as**

lâminas parem antes de retirar material cortado.

As lâminas continuam a funcionar após desligar.

25. **Evite cortar pregos. Verifique e remova quaisquer pregos da madeira antes de cortar.**
26. **Coloque a parte mais larga da base da serra nessa parte da peça de trabalho que está bem apoiada e não na secção que cairá quando o corte for efectuado. Como exemplos, a Fig. 5 ilustra a forma CORRECTA de cortar a extremidade de uma prancha e a Fig. 6 a forma INCORRECTA. Se a peça de trabalho for curta ou pequena, fixe-a. NÃO TENTE SEGURAR AS PEÇAS CURTAS COM A MÃO!**
27. **Antes de pousar a ferramenta após concluir um corte, certifique-se de que o resguardo inferior está fechado e se a lâmina parou completamente.**
28. **Nunca tente serrar com a serra circular virada ao contrário num torno. Isto é extremamente perigoso e pode levar a acidentes graves. (Fig. 7)**
29. **Alguns materiais contêm químicos que podem ser tóxicos. Tenha cuidado para evitar a inalação e o contacto da pele com o pó produzido. Obedeça às instruções de segurança do fornecedor do material.**
30. **Não pare as lâminas utilizando pressão lateral na lâmina da serra.**
31. **Não utilize quaisquer rodas abrasivas.**
32. **Apenas utilize a lâmina da serra com o diâmetro assinalado na ferramenta ou especificado no manual. A utilização de uma lâmina de tamanho incorrecto pode afectar a protecção adequada da lâmina ou o funcionamento do resguardo, o que pode resultar em ferimentos pessoais graves.**
33. **Mantenha a lâmina afiada e limpa.** A goma e nós da madeira duros nas lâminas abrandam a serra e aumentam o potencial de recuo. Mantenha a lâmina limpa removendo-a da ferramenta e limpando-a com removedor de goma e crude, água quente ou querosene. Nunca utilize gasolina.
34. **Use uma máscara contra o pó e protecção para os ouvidos quando utilizar a ferramenta.**

GUARDE ESTAS INSTRUÇÕES.

AVISO:

NÃO deixe que o conforto ou familiaridade com o produto (obtida de uma utilização regular) substituam um cumprimento severo das regras de segurança do produto em causa. Uma **UTILIZAÇÃO INCORRECTA** ou não cumprimento das regras de segurança indicadas neste manual de instruções podem provocar ferimentos pessoais sérios.

DESCRIÇÃO DO FUNCIONAMENTO

PRECAUÇÃO:

- Certifique-se sempre de que a ferramenta está desligada no interruptor e da tomada antes de proceder a ajustes ou testes à mesma.

Ajustar a profundidade de corte

PRECAUÇÃO:

- Após regular a profundidade de corte, aperte sempre bem a alavanca. (Fig. 8)

Solte a alavanca na guia de profundidade e mova a base para cima ou para baixo. Na profundidade de corte pretendida, fixe a base apertando a alavanca.

Para cortes mais limpos e seguros, defina a profundidade de corte de forma a que não mais de um dente de uma lâmina seja projectado abaixo da peça de trabalho.

Utilizar uma profundidade de corte correcta reduz o potencial para RECUOS perigosos que podem causar ferimentos pessoais.

Corte em bisel (Fig. 9 e 10)

Desaperte os parafusos de fixação. Regule para o ângulo pretendido (0° - 45°) inclinando de forma correcta e aperte bem os parafusos de fixação.

Alinhamento (Fig. 11)

Para cortes a direito, alinhe a posição 0° na frente da base com a linha de corte. Para cortes de bisel de 45°, alinhe-a com a posição 45°.

Ação do interruptor

PRECAUÇÃO:

- Antes de inserir a ficha da ferramenta na tomada, verifique se o gatilho está a funcionar correctamente e se volta à posição “OFF” quando o solta.
- Não puxe com força o gatilho sem premir o botão de bloqueio. Isto poderá quebrar o interruptor. (Fig. 12)

Para evitar que o gatilho seja acidentalmente puxado, é fornecido botão de bloqueio.

Para iniciar a ferramenta, pressione o botão de bloqueio e puxe o gatilho. Para parar a ferramenta, solte o gatilho.

AVISO:

- Para a sua segurança, esta ferramenta está equipada com um botão de bloqueio, o que evita que a ferramenta se ligue acidentalmente. NUNCA utilize a ferramenta se esta funcionar quando premir o gatilho sem premir o botão de bloqueio. Devolva a ferramenta a um centro de assistência Makita para que seja correctamente reparada ANTES de utilizar.
- NUNCA coloque fita-cola ou desactive o objectivo e função do botão de bloqueio.

MONTAGEM

PRECAUÇÃO:

- Certifique-se sempre de que a ferramenta está desligada no interruptor e da tomada antes de proceder a ajustes ou testes à mesma.

Remover ou instalar a lâmina da serra

PRECAUÇÃO:

- Certifique-se de que a lâmina está instalada com os dentes a apontar para a frente da ferramenta.
- Utilize apenas uma chave Makita para instalar ou remover a lâmina.

Para remover a lâmina, prima o bloqueio do veio de forma a que a lâmina não possa voltar-se e utilize a chave para

desapertar o parafuso sextavado no sentido contrário aos dos ponteiros do relógio. De seguida, remova o parafuso sextavado, flange exterior e lâmina. (Fig. 13)

Quando mudar a lâmina, certifique-se de que limpa igualmente o serrim acumulado dos resguardos superior e inferior da lâmina. No entanto, tais esforços não substituem a necessidade de verificar o funcionamento do resguardo inferior antes de cada utilização. (Fig. 14)

Para ferramentas com uma flange interior para lâminas de serra com um diâmetro que não 15,88 mm (Fig. 15)

A flange interior possui uma saliência de determinado diâmetro num lado e uma saliência de diâmetro diferente no outro lado. Escolha um lado correcto no qual a saliência encaixa perfeitamente no orifício da lâmina de serra.

De seguida, monte a flange interior no veio de montagem para que o lado correcto da saliência na flange interior esteja virado para fora e, de seguida, coloque a lâmina de serra e a flange exterior.

CERTIFIQUE-SE DE QUE APERTA BEM O PARAFUSO SEXTAVADO NO SENTIDO DOS PONTEIROS DO RELÓGIO.

⚠ PRECAUÇÃO:

- **Certifique-se de que a saliência “a” na flange interior que está posicionada de fora, encaixa perfeitamente no orifício “a” da lâmina de serra.** Montar a lâmina no lado errado pode resultar em vibrações perigosas.

Para ferramentas com uma flange interior para lâminas de serra com um diâmetro de 15,88 mm (consoante o país) (Fig. 16 e 17)

Monte a flange interior com o lado encastrado virado para fora no veio de montagem e, de seguida, coloque a lâmina da serra (com o anel instalado, se necessário), flange exterior e parafuso sextavado.

CERTIFIQUE-SE DE QUE APERTA BEM O PARAFUSO SEXTAVADO NO SENTIDO DOS PONTEIROS DO RELÓGIO.

⚠ AVISO:

- **Antes de montar a lâmina no fuso, certifique-se sempre que foi instalado entre as flanges interior e exterior o anel correcto para o orifício do mandril da lâmina que pretende utilizar.** A utilização de um anel de orifício do mandril incorrecto pode resultar na montagem incorrecta da lâmina, provocando movimento da lâmina e grandes vibrações, resultando numa possível perda de controlo durante a utilização e em ferimentos pessoais graves.

Armazenamento da chave sextavada (Fig. 18)

Quando não estiver a ser utilizada, guarde a chave sextavada tal como indicado na ilustração, para evitar que se perca.

Ligar a um aspirador de pó (acessório opcional) (Fig. 19 e 20)

Quando pretender efectuar uma operação de corte limpo, ligue um aspirador de pó Makita à sua ferramenta. Instale o bocal do pó na ferramenta utilizando o parafuso. De

seguida, ligue um tubo flexível do aspirador de pó ao bocal do pó, tal como indicado na ilustração.

FUNCIONAMENTO

⚠ PRECAUÇÃO:

- Certifique-se de que move suavemente a ferramenta para a frente numa linha recta. Forçar ou torcer a ferramenta resultará num sobreaquecimento do motor e recuos perigosos, causando possivelmente ferimentos graves.
- Utilize sempre um apoio dianteiro e a pega traseira para segurar firmemente a ferramenta enquanto trabalha. (Fig. 21)

Segure bem na ferramenta. A ferramenta é fornecida com um apoio dianteiro e pega traseira. Utilize ambos para agarrar bem a ferramenta. Se ambas as mãos estiverem a segurar a serra, não podem ser cortadas pela lâmina. Defina a base na peça de trabalho a cortar, sem que a lâmina faça qualquer contacto. De seguida, ligue a ferramenta e aguarde até que a lâmina atinja a velocidade máxima. Agora, basta mover a ferramenta para a frente na superfície da peça de trabalho, mantendo-a nivelada e avançando suavemente até que termine de serrar.

Para obter cortes limpos, mantenha a linha de serra a direito e a velocidade de avanço uniforme. Se o corte não seguir de forma adequada a linha de corte pretendida, não tente rodar ou forçar a ferramenta novamente para a linha de corte. Ao fazê-lo poderá dobrar a lâmina e levar a recuos perigosos e possíveis ferimentos graves. Solte o interruptor, aguarde que a lâmina pare e retire a ferramenta. Realinhe a ferramenta numa nova linha de corte e comece outra vez a cortar. Tente evitar um posicionamento que exponha o operador a farpas e serrim que são ejectados da serra. Use protecção para os olhos para ajudar a evitar ferimentos.

Vedação para escarificação (guia paralela) (acessório opcional) (Fig. 22)

A vedação para escarificação permite que faça cortes a direito bastante precisos. Basta deslizar a vedação para escarificação ao longo da peça de trabalho e fixá-la com o parafuso de fixação na frente da base. Possibilita igualmente que faça cortes repetidos com larguras uniformes.

MANUTENÇÃO

⚠ PRECAUÇÃO:

- Certifique-se sempre de que a ferramenta está desligada no interruptor e da tomada antes de inspeccionar ou fazer a manutenção da ferramenta.
- **Limpe o resguardo superior e inferior para garantir que não existe serrim acumulado que possa impedir o funcionamento do sistema de protecção inferior.** Um sistema de protecção sujo pode limitar o funcionamento adequado, o que pode resultar em ferimentos pessoais graves. A forma mais eficiente de efectuar esta limpeza é com ar comprimido. **Se estiver a limpar o pó dos resguardos, certifique-se de que utiliza protecção ocular e respiratória adequada.**

- Nunca utilize gasolina, benzina, diluente, álcool ou semelhante. Podem formar-se descolorações, deformações ou fissuras.

Ajustar o paralelismo (Fig. 23)

O paralelismo entre a lâmina e a base foi ajustado de fábrica. Mas, se estiver incorrecto, pode ajustá-lo seguindo o procedimento seguinte.

Certifique-se de que todas as alavancas e os parafusos estão apertados. Solte ligeiramente o parafuso, como ilustrado. Ao abrir o resguardo inferior, mova a parte traseira da base de forma a que a distância entre A e B seja igual. Após o ajuste, aperte o parafuso. Faça um corte de teste para obter o paralelismo correcto.

Regular para precisão de cortes a 0° (Fig. 24 e 25)

Esta regulação foi feita na fábrica. Mas se estiver incorrecta, ajuste os parafusos de regulação com uma chave sextavada enquanto inspecciona 0° da lâmina com a base, utilizando uma régua guia triangular ou guia quadrada, etc.

Substituir as escovas de carvão (Fig. 26)

Remova e verifique regularmente as escovas de carvão. Substitua-as quando o desgaste atingir a marca limite. Mantenha-as limpas para poderem deslizar no porta-escovas. Substitua as duas ao mesmo tempo. Utilize unicamente escovas de carvão idênticas.

Utilize uma chave de parafusos para remover as tampas do porta-escovas. Retire as escovas de carvão usadas, coloque umas novas e fixe as tampas do porta-escovas.

(Fig. 27)

Para manter os níveis de SEGURANÇA e FIABILIDADE definidos para este produto, as reparações e os procedimentos de manutenção ou ajustes devem ser executados por centros de assistência Makita autorizados, utilizando sempre peças de substituição Makita.

ACESSÓRIOS OPCIONAIS

⚠️ PRECAUÇÃO:

- Os seguintes acessórios ou extensões são os recomendados para utilizar com a ferramenta Makita especificada neste manual. A utilização de quaisquer outros acessórios poderá representar um risco de ferimento para as pessoas. Apenas utilize o acessório para o fim indicado.

Se precisar de informações adicionais relativas aos acessórios, contacte o centro local de assistência Makita.

- Lâminas da serra
- Vedação para escarificação (guia paralela)
- Carril de guia
- Adaptador do carril de guia
- Barra paralela
- Bocal do pó
- Chave sextavada

NOTA:

- Alguns itens na lista podem estar incluídos no pacote de ferramentas como acessórios de série. Podem diferir de país para país.

Ruído

ENG905-1

O nível de ruído ponderado A típico determinado, de acordo com EN60745:

Nível de pressão sonora (L_{pA}): 87 dB (A)

Nível de potência (L_{WA}): 98 dB (A)

Incerteza (K): 3 dB (A)

Use protecção para os ouvidos.

Vibração

ENG900-1

O valor total de vibração (soma vector triaxial) determinado, de acordo com EN60745:

Modo de trabalho: cortar madeira

Emissão de vibrações ($a_{h,W}$): 2,5 m/s² ou menos

Incerteza (K): 1,5 m/s²

ENG901-1

- O valor da emissão de vibração declarado foi medido de acordo com o método de teste padrão e pode ser utilizado para comparar uma ferramenta com outra.
- O valor da emissão de vibração declarado pode também ser utilizado numa avaliação preliminar de exposição.

⚠️ AVISO:

- A emissão de vibração durante a utilização real da ferramenta eléctrica pode ser diferente do valor de emissão declarado, dependendo da forma como a ferramenta é utilizada.
- Certifique-se de que identifica medidas de segurança, para proteger o operador, que são baseadas numa estimativa de exposição nas condições reais de utilização (tendo em conta todas as partes do ciclo de funcionamento, como as vezes que a ferramenta é desligada e quando está a trabalhar ao ralenti, além do tempo de utilização).

Apenas para países europeus Declaração de conformidade CE

ENH101-18

A Makita declara que as máquinas:

Designação da máquina:

Serra Circular

Nº/Tipo de modelo: HS7601

Estão em conformidade com as directivas europeias seguintes:

2006/42/EC

São fabricadas de acordo com as normas e documentos normalizados seguintes:

EN60745

A ficha técnica em conformidade com a norma 2006/42/EC está disponível a partir de:

Makita, Jan-Baptist Vinkstraat 2, 3070, Bélgica

21. 4. 2014



Yasushi Fukaya
Director

Makita, Jan-Baptist Vinkstraat 2, 3070, Bélgica

Forklaring til generel oversigt

1. Håndtag	10. Stram	19. Støvsuger
2. Tilspændingsskrue	11. Indre flange	20. Slange
3. Skærelinje (0° position)	12. Savklinge	21. Parallellanslag
4. Skærelinje (45° position)	13. Ydre flange	22. Trekantlineal
5. Afbryderkontakt	14. Sekskantbolt	23. Slidgrænse
6. Sikringsknap	15. Monteringsspindel	24. Skruetrækker
7. Unbrakonøgle	16. Ring	25. Kulholderdæksel
8. Aksellås	17. Mundstykke	
9. Løsn	18. Skrue	

SPECIFIKATIONER

Model		HS7601
Klangediameter		190 mm
Maks. skæredybde	ved 0°	66 mm
	ved 45°	46 mm
Hastighed uden belastning		5.200 min ⁻¹
Længde i alt		309 mm
Nettovægt		4,0 kg
Sikkerhedsklasse		□/II

- På grund af vores løbende forsknings- og udviklingsprogram kan specifikationerne heri ændres uden forudgående varsel.
- Specifikationerne kan variere fra land til land.
- Vægt i henhold til EPTA-procedure 01/2003

Tilsigtet brug

ENE078-2

Maskinen er beregnet til lige snit og vinklede geringsnsnit på langs og på tværs i træ ved fast kontakt med arbejdsemnet. Der kan også saves i andre materialer ved brug af dertil egnede originale Makita-savklinger.


Strømforsyning

ENF002-2

Værktøjet bør kun sluttes til en strømforsyning med den spænding, der er angivet på mærkepladen, og det kan kun benyttes med enkeltfasnet vekselstrøm. Det er dobbelt isoleret og kan derfor også sluttes til stikkontakter uden jordforbindelse.

Generelle sikkerhedsadvarsler for maskiner

GEB010-1


 **ADVARSEL** Læs alle sikkerhedsadvarsler og alle instruktioner. Hvis De ikke følger alle advarsler og instruktioner, kan det medføre elektrisk stød, brand og/eller alvorlig personskade.

Gem alle advarsler og instruktioner til senere reference.

SIKKERHEDSADVARSLER FOR RUNDSAV

GEB013-7

Saveprocedurer

1.  **FARE:** Hold hænderne på afstand af skærområdet og klingene. Hold den anden hånd på det ekstra håndtag eller på motorhuset. Hvis

begge hænder holder på saven, kan de ikke blive skåret af klingens.

2. **Ræk ikke ind under arbejdsemnet.** Skærmen kan ikke beskytte dig mod klingens under arbejdsemnet.
3. **Juster skæredybden efter arbejdsemnets tykkelse.** Der skal være mindre end en hel tand af klingetænderne synlig under arbejdsemnet.
4. **Hold ikke det arbejdsemne, der skæres i, i hænderne eller hen over benet. Fastgør arbejdsemnet til en stabil platform.** Det er vigtigt at støtte arbejdsemnet korrekt for at minimere risiko for personskade, binding af klingens eller tab af kontrol. **Typisk illustration af korrekt håndstøtte og støtte af arbejdsemnet samt føring af strømforsyningsledningen (hvis relevant). (Fig. 1)**
5. **Hold kun maskinen i de isolerede gribeblader, når du udfører arbejde, hvor skæreværktøjet kan komme i kontakt med skjulte ledninger eller værktøjets egen ledning.** Kontakt med en strømførende ledning gør også udsatte metaldele på maskinen strømførende, hvorved operatøren muligvis kan få elektrisk stød.
6. **Ved flæksavning skal der altid benyttes et parallellanslag eller en lige kantstøtte.** Derved bliver snittet mere nøjagtigt, og risikoen for, at klingens binder, reduceres.
7. **Brug altid klinger med den korrekte størrelse og udformning (diamant versus rund) af akselhuller.** Klinger, der ikke modsvarer savens monteringsdele, roterer skævt, og du kan miste kontrollen.
8. **Brug aldrig beskadede eller forkerte spændeskiver eller bolte til klingens.** Spændeskiverne og boltene til klingens er specielt

udviklet til saven med henblik på optimal ydelse og driftssikkerhed.

Årsager til tilbageslag og relaterede advarsler

- Tilbageslag er en pludselig reaktion på en fastklemt, låst eller forkeret justeret savklinge, som kan medføre, at en ukontrolleret sav løftes opad og ud af arbejdsemnet i retning mod operatøren.
- Når klingen kommer i klemme eller sidder fast, fordi savsnittet lukkes sammen, stopper klingens, og motorreaktionen støder apparatet hurtigt tilbage mod operatøren.
- Hvis klingens bliver vredet eller sidder skævt i snittet, kan tænderne bag på klingens skære sig ned i træets øverste overflade, så klingens løftes ud af savsnittet og springer tilbage mod operatøren.

Tilbageslag skyldes forkert brug af sav og/eller forkerte betjeningsprocedurer eller betingelser og kan undgås ved at træffe de nødvendige forsigtighedsregler som beskrevet nedenfor.

9. **Hold godt fast i saven med begge hænder, og placer armene, så de kan modstå tilbageslag. Placer kroppen på siden af klingens, ikke på linje med klingens.** Tilbageslag kan få saven til at springe tilbage, men tilbageslagskræfterne kan kontrolleres af operatøren, hvis de korrekte forholdsregler tages.
10. **Når klingens binder, eller når et snit afbrydes af andre årsager, skal du slippe kontaktræbet og holde saven stille, indtil klingens står helt stille. Forsøg aldrig at tage saven ud af arbejdsemnet eller at trække savens baglæns, mens klingens bevæger sig, da dette kan medføre tilbageslag.** Se efter og tag modforholdsregler imod årsager til, at klingens binder.
11. **Når saven startes igen i arbejdsemnet, skal du centrere savklingen i savsnittet og sikre dig, at savtænderne ikke sidder fast i emnet.** Hvis savklingen binder, kan den bevæge sig opad eller slå tilbage fra arbejdsemnet, når saven startes igen.
12. **Understøt store paneler for at reducere risikoen for, at klingens klemmes fast og forårsager tilbageslag.** Store paneler har tendens til at bøje under deres egen vægt. Der skal placeres støtter under panelet i begge sider, i nærheden af skæringslinjen og nær panelets kanter. **Understøt brættet eller panelet i nærheden af snittet for at undgå tilbageslag.** (Fig. 2) **Understøt ikke brættet eller panelet langt fra snittet.** (Fig. 3)
13. **Undgå at bruge uskarpe eller beskadigede klinger.** Uskarpe eller forkeret monterede klinger giver småle skæresnit, der forårsager ekstra friktion, fastklemning af klingens og tilbageslag.
14. **Låsehåndtagene til klingedybde og skråsnitsvinkel skal sidde stramt og sikkert, før du starter.** Hvis klingens flytter sig under skæringen, kan klingens binde og forårsage tilbageslag.
15. **Vær ekstra forsigtig, når du saver i eksisterende vægge eller andre områder, der ikke kan se igennem.** Den fremskudte klinge kan skære i genstande, der kan forårsage tilbageslag.
16. **Hold ALTID godt fast i maskinen med begge hænder. Anbring ALDRIG hånden eller fingrene bag ved saven.** Hvis der opstår tilbageslag, kan

saven nemt springe bagud hen over hånden, hvilket kan forårsage alvorlig personskade. (Fig. 4)

17. **Tving aldrig saven frem. Skub saven fremad ved en hastighed, hvor klingens skærer uden at køre langsommere.** Brug af magt kan medføre ujævne skæringer, tab af præcision og risiko for tilbageslag.

Funktion af nederste klingebeskytter

18. **Kontroller, at den nederste klingebeskytter lukker korrekt før hver brug. Anvend ikke saven, hvis den nederste klingebeskytter ikke bevæger sig frit og lukkes med det samme. Fastlås eller bind aldrig den nederste klingebeskytter i den åbne stilling.** Hvis du tager saven, kan den nederste klingebeskytter blive bøjet. Løft den nederste klingebeskytter med tilbagetrækningshåndtaget, og sørg for, at den bevæger sig frit og ikke berører klingens eller andre dele, uanset skæringsvinkel og -dybde.
19. **Kontroller funktionen af fjederen på den nederste klingebeskytter. Hvis klingebeskytteren og fjederen ikke fungerer korrekt, skal de repareres, før saven anvendes.** Den nederste klingebeskytter kan fungere dårligt på grund af beskadigede dele, fastsiddende gummi eller ophobning af snavs.
20. **Den nederste klingebeskytter må kun trækkes tilbage manuelt i forbindelse med særlige snit, f.eks. "indstiksnit" og "kombinerede snit".** Løft den nederste klingebeskytter ved hjælp af tilbagetrækningshåndtaget, og slip den nederste klingebeskytter, så snart klingens sidder i materialet. Til al anden skæring skal den nederste klingebeskytter fungere automatisk.
21. **Se altid efter, om den nederste klingebeskytter dækker klingens, før saven stilles på arbejdsbænken eller gulvet.** En ubeskyttet frit kørende klinge vil få saven til at bevæge sig baglæns, mens den skærer i alt, hvad den kommer i kontakt med. Vær opmærksom på den tid, det tager for klingens at stoppe, efter at kontakten slippes.
22. **For at kontrollere den nederste klingebeskytter skal du åbne klingebeskytteren manuelt og derefter frigive beskytteren og kontrollere, at den lukkes. Kontroller også, at tilbagetrækningshåndtaget ikke berører værktøjshuset.** Det er MEGET FARLIGT at lade klingens være blottet og kan medføre alvorlig personskade.

Yderligere sikkerhedsadvarsler

23. **Vær ekstra forsigtig ved skæring i vådt træ, trykbehandlet træ eller træ, der indeholder knaster.** Før maskinen jævnt fremad, uden at klingens hastighed reduceres, for at undgå overophedning af klingens takker.
24. **Undgå at fjerne afskåret materiale, så længe klingens bevæger sig. Vent til klingens er stoppet, før du tager fat i det afskårne materiale.** Klingens bevæger sig et stykke tid efter slukning.
25. **Undgå at skære i søm. Se efter og fjern alle søm fra træet, før du skærer.**
26. **Sæt den brede del af savens base mod den del af arbejdsemnet, der er understøttet solidt, ikke mod den del, der falder af, når snittet er færdigt.** Fig. 5 viser et eksempel på den RIGTIGE måde at skære enden af et bræt, og Fig. 6 viser den FORKERTE måde. Fastspænd arbejdsemnet, hvis det er kort

eller lille. DU MÅ IKKE HOLDE KORTE ARBEJDSEMNER I HÅNDEN!

27. Før du stiller maskinen fra dig efter at have foretaget en skæring, skal du sikre dig, at den nederste klingebeskytter er lukket, og at klingerne er stoppet helt.
28. Forsøg aldrig at save med rundsaven fastspændt med bunden i vejret i en skruestik. Dette er ekstremt farligt og kan medføre alvorlige uheld. (Fig. 7)
29. Nogle materialer indeholder kemikalier, som kan være giftige. Sørg for, at undgå indånding af støv og kontakt med huden. Følg materialeleverandørens sikkerhedsdata.
30. Stop ikke klingerne ved at trykke på siden af savklingen.
31. Brug ikke slibeskiver.
32. Brug kun en savklinge med den diameter, som er markeret på maskinen eller anført i vejledningen. Brug af en forkert størrelse klinge kan indvirke på den korrekte fremføring af klingene eller klingebeskytterens funktion, hvilket kan medføre alvorlig personskade.
33. Hold klingerne skarpe og rene. Gummi og tjære, der hærdes mod klinger, gør saven langsommere og forøger risikoen for tilbageslag. Hold klingerne rene ved først at fjerne den fra maskinen og derefter rense den med gummi- og tjærefjerner, varmt vand eller petroleum. Brug ikke benzin.
34. Bær støvmaske og høreværn, når maskinen anvendes.

GEM DISSE INSTRUKTIONER.

⚠ ADVARSEL:

LAD IKKE tryghed eller kendskab til produktet (fra gentagen brug) føre til, at du ikke strengt overholder sikkerhedsreglerne for det gældende produkt. MISBRUG eller manglende overholdelse af sikkerhedsreglerne i denne brugsanvisning kan medføre alvorlig personskade.

FUNKTIONSBESKRIVELSE

⚠ FORSIGTIG:

- Sørg altid for, at maskinen er slukket, og at stikket er taget ud af stikkontakten, før du justerer maskinen eller kontrollerer dens funktion.

Justering af skæredybden

⚠ FORSIGTIG:

- Skru håndtaget godt fast, når skæredybden er indstillet. (Fig. 8)

Løsn håndtaget på dybdeguiden og flyt basen op eller ned. Fastgør basis ved at stramme håndtaget på den ønskede skæredybde.

Du opnår renere og sikrere snit ved at indstille skæredybden, så der ikke stikker mere end én klingetand ud under arbejdsemnet. Anvendelse af den korrekte skæredybde hjælper med at reducere risikoen for farlige TILBAGESLAG, som kan forårsage personskade.

Skråsnit (Fig. 9 og 10)

Løsn tilspændingsskruerne. Indstil den ønskede vinkel (0°–45°) ved at dreje tilsvarende, og stram derefter tilspændingsskruerne godt fast.

Indstilling (Fig. 11)

Ved lige snit justeres 0°-positionen forrest på basen ind med skærelinjen. For skråsnit på 45° justeres 45°-positionen med den.

Betjening af kontakt

⚠ FORSIGTIG:

- Før maskinen tilsluttes, skal du altid kontrollere, at afbryderkontakten fungerer korrekt og vender tilbage til "OFF"-stillingen, når du slipper den.
- Træk ikke hårdt i afbryderkontakten uden at trykke sikringsknappen ind. Dette kan ødelægge kontakten. (Fig. 12)

En sikringsknap forhindrer, at afbryderkontakten trykkes ind ved et uheld.

Maskinen startes ved at trykke sikringsknappen ind og trække i afbryderkontakten. Slip afbryderkontakten for at stoppe.

⚠ ADVARSEL:

- Af hensyn til din sikkerhed er maskinen forsynet med en sikringsknap, der forhindrer, at maskinen starter ved et uheld. Brug ALDRIG maskinen, hvis den kører, når du trækker i afbryderkontakten uden at trykke på sikringsknappen. Indlever maskinen til et Makita-servicecenter til reparation, FØR den benyttes igen.
- Du må ALDRIG fastgøre sikringsknappen med tape eller omgå dens funktion.

MONTERING

⚠ FORSIGTIG:

- Sørg altid for, at maskinen er slukket, og at stikket er taget ud af stikkontakten, før du justerer maskinen eller kontrollerer dens funktion.

Afmontering eller montering af savklingen

⚠ FORSIGTIG:

- Sørg for, at klingen er monteret, så tænderne peger opad foran på maskinen.
- Anvend kun den medfølgende Makita-skruenøgle til at montere eller afmontere klingene.

For at afmontere klingene skal du trykke på aksellåsen, så klingen ikke kan dreje, og anvende skruenøglen til at løsne sekskantbolten mod urets retning. Fjern derefter sekskantbolten, den ydre flange og klingen. (Fig. 13) Ved skift af klinger skal du sørge for også at fjerne opsamlet savsmuld fra den øverste og nederste klingebeskytter. Du skal dog stadig kontrollere den nederste klingebeskytters funktion, hver gang maskinen skal anvendes. (Fig. 14)

For en maskine med en indre flange til andet end en savklinge med en hul diameter på 15,88 mm (Fig. 15) Den indre flange har et særligt diameterfremspring på den ene side af den, og et andet diameterfremspring på den

anden side. Vælg den korrekte side, hvor fremspringet passer perfekt ind i savklinge-hullet.

Monter derefter den indre flange på monterings-spindlen så den korrekte side af fremspringet på den indre flange vender udad, og placer derefter savklingen på den ydre flange.

SØRG FOR AT SPÆNDE SEKSKANTBOLTEN ORDENTLIGT TIL I URETS RETNING.

⚠ FORSIGTIG:

- **Sørg for at fremspringet "a" på den indre flange, som er placeret udvendigt, passer perfekt ind i savklinge-hullet "a".** Monteres klingen på den forkerte side kan det medføre farlige vibrationer.

For en maskine med en indre flange til en savklinge med en hul diameter på 15,88 mm (landespecifik) (Fig. 16 og 17)

Monter den indre flange med dens forsænkede side vendende ud mod monterings-spindlen og placer derefter savklingen (med ringen monteret om nødvendigt), den ydre flange og sekskantbolten.

SØRG FOR AT SPÆNDE SEKSKANTBOLTEN ORDENTLIGT TIL I URETS RETNING.

⚠ ADVARSEL:

- **Inden savklingen monteres på spindlen, skal du altid sikre dig at den korrekte ring, der passer til akselhullet i den savklinge, som du agter at anvende, er monteret mellem den indre og ydre flange.** Anvendelse af det forkerte akselhul kan medføre forkert montering af savklingen, hvilket forårsager klingebevægelse og alvorlig vibration med muligt tab af kontrol under anvendelsen og alvorlig persons-kade som følge.

Opbevaring af unbrakonøgle (Fig. 18)

Opbevar unbrakonøglen som vist i figuren, når den ikke anvendes, for at forhindre, at den bliver væk.

Tilslutning til en støvsuger (fås som tilbehør) (Fig. 19 og 20)

Hvis du ønsker at holde arbejdsområdet rent under savning, kan du tilslutte en Makita-støvsuger til maskinen. Monter støvmundstykket på maskinen ved hjælp af skruen. Slut derefter støvsugerslangen til støvmundstykket som vist på figuren.

BETJENING

⚠ FORSIGTIG:

- Sørg for at flytte maskinen lige fremad uden at bruge magt. Hvis maskinen tvinges eller vrides, kan det medføre overophedning af motoren og farligt tilbageslag, som kan føre til alvorlig persons-kade.
- Anvend altid et frontgreb og baghåndtag og hold godt fast i maskinen i både frontgrebet og baghåndtaget under anvendelse. (Fig. 21)

Hold godt fast i maskinen. Maskinen har både et frontgreb og et baghåndtag. Hold maskinen med begge hænder. Hvis begge hænder holder på saven, kan du ikke blive skåret af klingen. Placer basen på det arbejdsemne, der skal skæres i, uden at klingen berører arbejdsemnet. Tænd derefter for maskinen, og vent, indtil klingen når fuld hastighed. Flyt maskinen fremad hen over

arbejdsemnet, idet maskinen holdes fladt og flyttes jævnt frem, indtil savningen er færdig.

Du opnår rene snit ved at holde savelinjen lige og flytte maskinen med jævn hastighed. Forsøg ikke at dreje eller tvinge maskinen tilbage til skæringslinjen, hvis snittet ikke følger den ønskede skæringslinje. Hvis du gør dette, kan klingen komme i klemme, hvilket kan medføre farligt tilbageslag med risiko for alvorlig persons-kade. Slip kontakten, vent, til klingen er stoppet, og tag derefter maskinen ud. Juster maskinen med den nye skæringslinje, og start skæringen igen. Sørg for at placere dig, så du ikke bliver udsat for de spåner og træsmuld, der udstødes fra saven. Bær øjenbeskyttelse for at undgå persons-kade.

Parallelanslag (styrepind) (fås som tilbehør) (Fig. 22)

Med det praktiske parallelanslag kan du udføre ekstremt præcise lige skæringer. Skub blot parallelanslaget op mod siden af arbejdsemnet og fastgør det med tilspændingsskruen forrest på maskinens base. Det gør det også muligt at foretage flere skæringer med ens bredde.

VEDLIGEHOLDELSE

⚠ FORSIGTIG:

- Sørg altid for, at maskinen er slukket, og at stikket er taget ud, før du udfører inspektion eller vedligeholdelse.
- **Rengør de øverste og nederste skærme for at sikre, at der ikke har ophobet sig savsmuld, som muligvis kan være til hindring for funktionen af det nederste beskyttelsessystem.** Et beskidt beskyttelsessystem kan begrænse den korrekte funktion, hvilket kan medføre alvorlig persons-kade. Den mest effektive måde at foretage denne rengøring på, er at anvende trykluft. **Hvis støvet blæses ud af skærmene, skal du sørge for at anvende ordentlig øjen- og åndedrætsbeskyttelse.**
- Brug aldrig benzin, benzen, fortynder, alkohol eller lignende. Det kan muligvis medføre misfarvning, deformation eller revner.

Parallelismejustering (Fig. 23)

Parallelismen mellem klingen og basis er blevet justeret på fabrikken. Men hvis den ikke passer, kan du justere den vha. følgende procedure.

Sørg for at alle håndtag og skruer er strammet. Løsn skruen en smule som illustreret. Mens du åbner den nederste klingebeskytter, flyttes det bagerste af basis, så afstanden A og B er lige store. Stram skruen fast efter justeringen. Foretag et testsnit for at opnå en korrekt parallelisme.

Nøjagtighedsjustering af et 0° snit (Fig. 24 og 25)

Denne justering er udført på fabrikken. Hvis justeringen er unøjagtig, skal du indstille justeringsskrueerne med en unbrakonøgle, mens de 0° kontrolleres med klingen og basis ved hjælp af en trekantlineal, en firkantlineal e.l.

Udskiftning af kulbørsterne (Fig. 26)

Tag regelmæssigt kulbørsterne af, og efterse dem. Udskift dem, når de er nedslidte til slidgrænsen. Hold kulbørsterne rene og frie til at glide i holderne. Begge kulbørster skal udskiftes samtidig. Brug altid identiske kulbørster.

Brug en skruetrækker til at fjerne kulholderdækslerne. Tag de udslidte kulbørster ud, monter de nye, og fastgør kulholderdækslerne. (Fig. 27)

For at holde produktet SIKKERT og PÅLIDELIGT skal reparationer samt al anden vedligeholdelse eller justering udføres af autoriserede Makita-servicecentre, og der skal altid benyttes Makita-reservedele.

EKSTRAUDSTYR

⚠ FORSIGTIG:

- Dette tilbehør eller ekstraudstyr anbefales til brug med det Makita-værktøj, som er beskrevet i denne brugsanvisning. Brug af andet tilbehør eller ekstraudstyr kan forårsage personskade. Brug kun tilbehør eller ekstraudstyr til det formål, det er beregnet til.

Henvend dig til dit lokale Makita-servicecenter, hvis du har brug for hjælp eller yderligere oplysninger vedrørende tilbehøret.

- Savklinger
- Parallelslag (styrepind)
- Støtteskinne
- Støtteskinneadapter
- Linealbjælke
- Mundstykke
- Unbrakonøgle

BEMÆRK:

- Visse dele på listen er muligvis indeholdt maskinindpakningen som standardtilbehør. De kan variere fra land til land.

Støj ENG905-1

Det typiske A-vægtede støjniveau bestemt i overensstemmelse med EN60745:

Lydtrykniveau (L_{pA}): 87 dB (A)

Lydteffektniveau (L_{WA}): 98 dB (A)

Usikkerhed (K): 3 dB (A)

Bær høreværn.

Vibration ENG900-1

Den samlede vibrationsværdi (treaksial vektorsum) bestemt i overensstemmelse med EN60745:

Arbejdstilstand: træskæring

Vibrationsemission ($a_{h,W}$): 2,5 m/s² eller mindre

Usikkerhed (K): 1,5 m/s²

ENG901-1

- Den opgivne vibrationsemissionsværdi er målt i overensstemmelse med standardtestmetoden og kan bruges til at sammenligne et værktøj med et andet.
- Den opgivne vibrationsemissionsværdi kan muligvis også bruges til en indledende eksponeringsvurdering.

⚠ ADVARSEL:

- Vibrationsemissionen under den faktiske brug af maskinen kan afvige fra den opgivne emissionsværdi afhængigt af den måde, maskinen anvendes på.
- Sørg for at bestemme sikkerhedsforanstaltninger for beskyttelse af operatøren, som er baseret på en eksponeringsvurdering for brug under faktiske forhold

(hvor alle anvendelsescyklussens dele inddrages, som f.eks. antal gange maskinen slukkes, og når den kører i tomgang ud over triggertiden).

Kun for europæiske lande

ENH101-18

EF-overensstemmelseserklæring

Makita erklærer at følgende Makita-maskine(r):

Maskinens betegnelse:

Rundsav

Modelnummer/type: HS7601

Overholder følgende europæiske direktiver:

2006/42/EF

De er produceret i overensstemmelse med den følgende standard eller standardiserede dokumenter:

EN60745

Den tekniske fil er i overensstemmelse med 2006/42/EF til rådighed fra:

Makita, Jan-Baptist Vinkstraat 2, 3070, Belgien

21. 4. 2014



Yasushi Fukaya

Direktør

Makita, Jan-Baptist Vinkstraat 2, 3070, Belgien

ΕΛΛΗΝΙΚΑ (Πρωτογενείς οδηγίες)

Περιγραφή γενικής όψης

- | | | |
|----------------------------|-----------------------|--------------------------------------|
| 1. Μοχλός | 10. Σφίξτε | 19. Ηλεκτρική σκούπα |
| 2. Βίδα σύσφιξης | 11. Εσωτερική φλάντζα | 20. Εύκαμπτος σωλήνας |
| 3. Γραμμή κοπής (θέση 0°) | 12. Πριονόδισκος | 21. Οδηγός κοπής |
| 4. Γραμμή κοπής (θέση 45°) | 13. Εξωτερική φλάντζα | 22. Τριγωνικός κανόνας |
| 5. Σκανδάλη-διακόπτης | 14. Εξάγωνο μπουλόνι | 23. Ένδειξη ορίου |
| 6. Κουμπί ασφαλίσης | 15. Άξονας στερέωσης | 24. Κατσαβίδι |
| 7. Εξάγωνο κλειδί | 16. Δακτύλιος | 25. Καπάκι υποδοχής των καρβουνακίων |
| 8. Ασφάλεια άξονα | 17. Στόμιο σκόνης | |
| 9. Ξεσφίξτε | 18. Βίδα | |

ΠΡΟΔΙΑΓΡΑΦΕΣ

Μοντέλο	HS7601	
Διάμετρος δίσκου	190 mm	
Μέγιστο βάθος κοπής	στις 0°	66 mm
	στις 45°	46 mm
Ταχύτητα χωρίς φορτίο	5.200 min ⁻¹	
Ολικό μήκος	309 mm	
Καθαρό βάρος	4,0 kg	
Τάξη ασφαλείας	□/II	

- Λόγω του συνεχόμενου προγράμματος που εφαρμόζουμε για έρευνα και ανάπτυξη, τα τεχνικά χαρακτηριστικά στο παρόν έντυπο υπόκεινται σε αλλαγή χωρίς προειδοποίηση.
- Τα τεχνικά χαρακτηριστικά ενδέχεται να διαφέρουν ανάλογα με τη χώρα.
- Βάρος σύμφωνα με τη διαδικασία ΕΡΤΑ 01/2003

Προοριζόμενη χρήση

ENE078-2

Το εργαλείο αυτό προορίζεται για την εκτέλεση ευθειών κοπών κατά μήκος και εγκάρσιων και λοξών κοπών υπό κλίση σε ξύλο, όταν βρίσκεται σε σταθερή επαφή με το τεμάχιο εργασίας. Άλλα υλικά μπορούν επίσης να πριονιστούν με κατάλληλους γνήσιους πριονόδισκους της Makita.

Ηλεκτρική παροχή

ENF002-2

Το εργαλείο πρέπει να συνδέεται μόνο σε ηλεκτρική παροχή της ίδιας τάσης με αυτήν που αναγράφεται στην πινακίδα ονομαστικών τιμών και μπορεί να λειτουργήσει μόνο με εναλλασσόμενο μονοφασικό ρεύμα. Τα εργαλεία αυτά διαθέτουν διπλή μόνωση και συνεπώς μπορούν να συνδεθούν με πρίζες χωρίς γείωση.

Γενικές Προειδοποιήσεις Ασφαλείας Του Ηλεκτρικού Εργαλείου

GEA010-1

⚠ ΠΡΟΕΙΔΟΠΟΙΗΣΗ Διαβάστε όλες τις προειδοποιήσεις ασφαλείας και όλες τις οδηγίες. Αν δεν ακολουθήσετε όλες τις προειδοποιήσεις και τις οδηγίες, υπάρχει κίνδυνος ηλεκτροπληξίας, πυρκαγιάς ή/και σοβαρού τραυματισμού.

Φυλάξτε όλες τις προειδοποιήσεις και τις οδηγίες για μελλοντική αναφορά.

ΠΡΟΕΙΔΟΠΟΙΗΣΕΙΣ ΑΣΦΑΛΕΙΑΣ ΔΙΣΚΟΠΡΙΟΝΟΥ

GEB013-7

Διαδικασίες κοπής

1. **⚠ ΚΙΝΔΥΝΟΣ:** Να κρατάτε τα χέρια σας μακριά από την περιοχή κοπής και το δίσκο. Να κρατάτε τη βοηθητική λαβή ή το περιβλήμα του κινητήρα με το άλλο σας χέρι. Εάν κρατάτε το δισκοπρίονο και με τα δύο χέρια, δεν είναι δυνατόν να κοπούν από το δίσκο.
2. **Μην πιάνετε το τεμάχιο εργασίας από την κάτω πλευρά.** Το προστατευτικό δεν σας παρέχει προστασία από το δίσκο κάτω από το τεμάχιο εργασίας.
3. **Ρυθμίστε το βάθος κοπής ανάλογα με το πάχος του τεμαχίου εργασίας.** Δεν θα πρέπει να είναι ορατά ολόκληρα τα δόντια του δίσκου κάτω από το τεμάχιο εργασίας.
4. **Μην κρατάτε ποτέ το τεμάχιο εργασίας στα χέρια σας και μην το τοποθετείτε επάνω στο πόδι σας. Ασφαλίστε το τεμάχιο εργασίας σε μια σταθερή βάση.** Είναι σημαντικό να στηρίζεται σωστά το τεμάχιο εργασίας για να ελαχιστοποιείται η έκθεση του σώματος, η παρεμπόδιση της κίνησης του δίσκου ή η απώλεια ελέγχου.
Μια τυπική απεικόνιση της σωστής στήριξης με το χέρι, της στήριξης του τεμαχίου εργασίας προς κοπή και της δρομολόγησης του ηλεκτρικού καλωδίου (εάν υπάρχει). (Εικ. 1)
5. **Να κρατάτε το ηλεκτρικό εργαλείο μόνο από τις μονωμένες λαβές όταν εκτελείτε εργασίες κατά τις οποίες το κοπτικό εργαλείο μπορεί να έρθει σε επαφή με κρυμμένα καλώδια ή με το ίδιο του το**

καλώδιο. Αν απάρξει επαφή με κάποιο ηλεκτροφόρο καλώδιο, τα εκτεθειμένα μεταλλικά μέρη του ηλεκτρικού εργαλείου θα γίνουν κι αυτά ηλεκτροφόρα και μπορεί να προκληθεί ηλεκτροπληξία στο χειριστή.

6. **Όταν σχίζετε, να χρησιμοποιείτε πάντοτε οδηγός κοπής ή οδηγό με ευθυγραμμισμένη ακμή.** Έτσι, βελτιώνεται η ακρίβεια της κοπής και μειώνεται η πιθανότητα να παρεμποδίσει η κίνηση του δίσκου.
7. **Να χρησιμοποιείτε πάντοτε δίσκους με οπές στερέωσης σωστού μεγέθους και σχήματος (σχήμα διαμαντιού έναντι στρογγυλού σχήματος).** Οι δίσκοι που δεν ταιριάζουν με το σύστημα στερέωσης του δισκοπριόνου θα παρουσιάζουν έκκεντρη περιστροφή, προκαλώντας απώλεια ελέγχου.
8. **Μη χρησιμοποιείτε ποτέ στο δίσκο ροδέλες ή μπουλόνια που είναι φθαρμένα ή έχουν λανθασμένο μέγεθος.** Οι ροδέλες και τα μπουλόνια του δίσκου είναι ειδικά σχεδιασμένα για το δισκοπριόνό σας, έτσι ώστε να παρέχουν βέλτιστη απόδοση και ασφάλεια λειτουργίας.

Αιτίες κλωστήματος και σχετικές προειδοποιήσεις

- το κλώτσημα είναι μια ξαφνική αντίδραση που προκαλεί την ανεξέλεγκτη ανύψωση του δισκοπριόνου έξω από το τεμάχιο εργασίας και προς τον χειριστή, όταν ο πριονόδισκος είναι μπλοκαρισμένος, παρεμποδίζεται η κίνηση ή έχει λανθασμένη ευθυγράμμιση,
- όταν ο δίσκος είναι μπλοκαρισμένος ή σφηνωμένος σφιχτά από την εγκοπή, ακινητοποιείται και η αντίδραση του μοτέρ οδηγεί το εργαλείο με ταχύτητα προς τα πίσω και προς τη μεριά του χειριστή,
- εάν ο δίσκος στρεβλώσει ή ευθυγραμμιστεί λάθος κατά την κοπή, τα δόντια στο πίσω μέρος του δίσκου μπορεί να σκάψουν μέσα στην επάνω επιφάνεια του ξύλου και έτσι ο δίσκος να βγει από την εγκοπή και να αναπηδήσει προς τη μεριά του χειριστή.

Το κλώτσημα προκαλείται όταν το δισκοπριόνο χρησιμοποιείται λανθασμένα ή/και όταν οι διαδικασίες ή οι συνθήκες λειτουργίας είναι λανθασμένες και μπορεί να αποφευχθεί αν ληφθούν οι κατάλληλες προφυλάξεις που αναφέρονται παρακάτω.

9. **Να κρατάτε το δισκοπριόνο γερά και με τα δύο χέρια και να τοποθετείτε τους βραχιόνές σας με τρόπο ώστε να αντιστέκονται στις δυνάμεις κλωστήματος. Να τοποθετείτε το σώμα στη μια από τις δύο πλευρές του δίσκου, αλλά όχι στην ίδια ευθεία με το δίσκο.** Το κλώτσημα μπορεί να προκαλέσει την αναπήδηση του δισκοπριόνου προς τα πίσω, αλλά ο χειριστής μπορεί να ελέγξει το κλώτσημα αν λάβει τις κατάλληλες προφυλάξεις.
10. **Όταν παρεμποδίζεται η κίνηση του δίσκου ή όταν διακόπεται η κοπή για οποιονδήποτε λόγο, αφήστε τη σκανδάλη και κρατήστε ακίνητο το δισκοπριόνο μέσα στο υλικό έως ότου ακινητοποιηθεί ο δίσκος εντελώς. Μη δοκιμάσετε ποτέ να βγάλετε το δισκοπριόνο από το τεμάχιο εργασίας ούτε να το τραβήξετε προς τα πίσω όταν ο δίσκος κινείται, επειδή το εργαλείο μπορεί να κλωστήσει.** Διερευνήστε την αιτία για την οποία παρεμποδίζεται η κίνηση του δίσκου και λάβετε διορθωτικά μέτρα.
11. **Όταν ξεκινάτε ξανά το δισκοπριόνο μέσα στο τεμάχιο εργασίας, κεντράρετε τον πριονόδισκο**

στην εγκοπή και ελέγξτε ότι τα δόντια του δισκοπριόνου δεν έρχονται σε επαφή με το υλικό. Αν παρεμποδίζεται η κίνηση του πριονόδισκου, το εργαλείο μπορεί να αναπηδήσει από το τεμάχιο εργασίας ή να κλωστήσει όταν το θέσετε ξανά σε λειτουργία.

12. **Πρέπει να στηρίζετε κατάλληλα τα μεγάλα φύλλα προς κοπή για να ελαχιστοποιείτε τον κίνδυνο παρεμπόδισης της κίνησης του δίσκου και του κλωστήματος.** Τα μεγάλα φύλλα τείνουν να βαρουλώνουν από το ίδιο τους το βάρος. Πρέπει να τοποθετείτε στηρίγματα κάτω από τα φύλλα και στις δύο πλευρές, κοντά στη γραμμή κοπής και κοντά στην άκρη του φύλλου.
Για την αποφυγή του κλωστήματος, να στηρίζετε τη σανίδα ή το φύλλο κοντά στο σημείο κοπής. (Εικ. 2)
Μη στηρίζετε τη σανίδα ή το φύλλο μακριά από την κοπή. (Εικ. 3)
 13. **Μη χρησιμοποιείτε δίσκους που δεν είναι κοφτεροί ή που είναι κατεστραμμένοι.** Οι δίσκοι που δεν είναι κοφτεροί ή που έχουν τοποθετηθεί λανθασμένα, δημιουργούν στενές γκοπές, οι οποίες οδηγούν σε υπερβολική τριβή, παρεμπόδιση της κίνησης των δίσκων και κλώτσημα.
 14. **Οι μοχλοί ασφάλισης του βάθους του δίσκου και της ρύθμισης της λοξοτομής πρέπει να είναι σφιγμένοι και ασφαλισμένοι πριν από την κοπή.** Αν η ρύθμιση του δίσκου μετακινηθεί κατά το πριόνισμα, μπορεί να εμποδίσει η κίνηση του δίσκου και να προκληθεί κλώτσημα.
 15. **Δώστε ιδιαίτερη προσοχή κατά το πριόνισμα σε υπάρχοντες τοίχους ή σε άλλες περιοχές για τις οποίες δεν γνωρίζετε ή κρύβουν στο εσωτερικό τους.** Εάν ο δίσκος προεξέχει, μπορεί να κόψει αντικείμενα που μπορούν να οδηγήσουν σε κλώτσημα.
 16. **Να κρατάτε ΠΑΝΤΑ το εργαλείο καλά και με τα δύο χέρια. ΠΟΤΕ μη τοποθετήσετε το χέρι ή τα δάχτυλα σας πίσω από το δισκοπριόνο.** Αν συμβεί κλώτσημα, το δισκοπριόνο μπορεί να πεταχτεί προς τα πίσω και πάνω στο χέρι σας με πιθανότητα πρόκλησης σοβαρού τραυματισμού. (Εικ. 4)
 17. **Μη ζορίζετε ποτέ το δισκοπριόνο. Να στρώχνετε το δισκοπριόνο προς τα μπροστά με τέτοια ταχύτητα ώστε ο δίσκος να κόβει χωρίς να επιβραδύνει.** Αν ζορίζετε το δισκοπριόνο μπορεί να προκληθούν ανομοιόμορφες κοπές, απώλεια ακρίβειας και πιθανώς κλώτσημα.
- Λειτουργία κάτω προστατευτικού**
18. **Ελέγξτε αν το κάτω προστατευτικό κλείνει σωστά πριν από κάθε χρήση. Μη θέτετε σε λειτουργία το δισκοπριόνο αν το κάτω προστατευτικό δεν κινείται ελεύθερα και δεν κλείνει αμέσως. Μη συγκρατείτε και μη δένετε ποτέ το κάτω προστατευτικό στην ανοιχτή θέση.** Αν το δισκοπριόνο πέσει κάτω κατά λάθος, το κάτω προστατευτικό μπορεί να λυγίσει. Σηκώστε το κάτω προστατευτικό με τη βοήθεια της ανασυρόμενης λαβής και βεβαιωθείτε ότι κινείται ελεύθερα και δεν ακουμπά το δίσκο ή κάποιο άλλο μέρος, σε όλες τις γωνίες και βάση κοπής.
 19. **Ελέγξτε τη λειτουργία του ελατηρίου του κάτω προστατευτικού. Αν το προστατευτικό και το**

ελατήριο δεν λειτουργούν σωστά, πρέπει να επισκευαστούν πριν από τη χρήση. Το κάτω προστατευτικό μπορεί να λειτουργεί με αργό ρυθμό αν υπάρχουν κατεστραμμένα μέρη, κολλώδεις εναποθέσεις ή συσσώρευση υπολειμμάτων κοπής.

20. Το κάτω προστατευτικό μπορεί να ανασυρθεί με το χέρι μόνο για ειδικά κοψίματα, όπως “τυφλές” και “σύνθετες κοπές”. Ανεβάστε το κάτω προστατευτικό με τη βοήθεια της λαβής ανάσυρσης και μόλις ο δίσκος εισέλθει στο υλικό, αφήστε το κάτω προστατευτικό. Για όλες τις άλλες εργασίες πριονίσματος, το κάτω προστατευτικό πρέπει να λειτουργεί αυτόματα.
21. Να ελέγχετε πάντα εάν το κάτω προστατευτικό καλύπτει το δίσκο πριν τοποθετήσετε το δισκοπρίονο σε πάγκο ή στο πάτωμα. Εάν ο δίσκος δεν προστατεύεται και κινείται ελεύθερα, το δισκοπρίονο θα κινηθεί προς τα πίσω, κόβοντας ό,τι βρεθεί στο δρόμο του. Λάβετε υπόψη σας το χρόνο που χρειάζεται ο δίσκος για να ακινητοποιηθεί από του ελευθερώσετε τον διακόπτη.
22. Για να ελέγξετε το κάτω προστατευτικό, ανοίξτε το κάτω προστατευτικό με το χέρι και κατόπιν αφήστε το και παρατηρήστε εάν κλείνει. Επίσης, βεβαιωθείτε ότι δεν ακουμπά η λαβή ανάσυρσης στο σώμα του εργαλείου. Είναι ΠΟΛΥ ΕΠΙΚΙΝΔΥΝΟ το να αφήνετε το δίσκο εκτεθειμένο και αυτό μπορεί να οδηγήσει σε σοβαρό τραυματισμό.

Επιπρόσθετες προειδοποιήσεις ασφαλείας

23. Να προσέχετε ιδιαίτερα όταν κόβετε νωπό ξύλο, ξυλεία που έχει υποστεί επεξεργασία με πίεση ή ξύλο με ρόζους. Προωθείτε ομαλά το εργαλείο χωρίς να μειώνεται η ταχύτητα του δίσκου για να μην υπερθερμαίνονται τα άκρα του δίσκου.
24. Μην επιχειρήσετε να μετακινήσετε το υλικό κοπής όταν ο δίσκος κινείται. Περιμένετε μέχρι να ακινητοποιηθεί ο δίσκος πριν πιάσετε τα κομμένα τμήματα. Οι δίσκοι εξακολουθούν να περιστρέφονται μετά το σβήσιμο του εργαλείου.
25. Να αποφεύγετε την κοπή καρφιών. Ελέγξτε εάν υπάρχουν καρφιά στο ξύλο και αφαιρέστε τα όλα πριν από το κόψιμο.
26. Τοποθετήστε το πλατύτερο τμήμα της βάσης του δισκοπρίονου σε εκείνο το τμήμα του τεμαχίου εργασίας που στηρίζεται σταθερά και όχι στο τμήμα εκείνο που θα πέσει όταν θα εκτελεστεί η κοπή. Ως παραδείγματα, η Εικ. 5 δείχνει το ΣΩΣΤΟ τρόπο για να κόψετε την άκρη μιας σανίδας και η Εικ. 6 το ΛΑΝΘΑΣΜΕΝΟ τρόπο. Αν το τεμάχιο εργασίας είναι κοντό ή μικρό, στερεώστε το. ΜΗΝ ΠΡΟΣΠΑΘΗΣΕΤΕ ΝΑ ΚΡΑΤΗΣΕΤΕ ΜΙΚΡΑ ΚΟΜΜΑΤΙΑ ΜΕ ΤΟ ΧΕΡΙ!
27. Πριν τοποθετήσετε κάτω το εργαλείο μετά το τέλος της κοπής, βεβαιωθείτε ότι έκλεισε το κάτω προστατευτικό και ακινητοποιήθηκε τελείως ο δίσκος.
28. Ποτέ μη δοκιμάσετε να πραγματοποιήσετε κοπή έχοντας το δισκοπρίονο στερεωμένο ανάποδα σε μέγερη. Αυτό είναι εξαιρετικά επικίνδυνο και μπορεί να οδηγήσει σε σοβαρά ατυχήματα. (Εικ. 7)
29. Μερικά υλικά περιέχουν χημικές ουσίες που μπορεί να είναι τοξικές. Να προσέχετε ώστε να αποφεύγετε την εισπνοή της σκόνης και την

επαφή με το δέρμα. Ακολουθείτε τα δεδομένα ασφαλείας του υλικού που παρέχονται από τον προμηθευτή.

30. Μην σταματάτε τους δίσκους με πλευρική πίεση στον πριονόδισκο.
31. Μη χρησιμοποιείτε οποιοδήποτε λειαντικό δίσκο.
32. Χρησιμοποιήστε μόνο πριονόδισκους που έχουν διάμετρο ίση με αυτή που αναγράφεται πάνω στο εργαλείο ή καθορίζεται στο εγχειρίδιο. Η χρήση ενός δίσκου λανθασμένου μεγέθους μπορεί να επηρεάσει τη σωστή προστασία του δίσκου ή τη λειτουργία του προστατευτικού, πράγμα που θα μπορούσε να οδηγήσει σε σοβαρό ατομικό τραυματισμό.
33. Να διατηρείτε τον δίσκο κοφτερό και καθαρό. Η κόλλα και το ρετσίνο που έχουν ξεραθεί επάνω στους δίσκους επιβραδύνουν το δισκοπρίονο και αυξάνουν την πιθανότητα κλωστήματος. Διατηρείτε το δίσκο καθαρό βγάζοντάς τον από το εργαλείο, στη συνέχεια καθαρίζοντάς τον με προϊόντα αφαίρεσης κόλλας και ρετσίνο, με ζεστό νερό ή κηροζίνη. Μη χρησιμοποιείτε ποτέ βενζίνη.
34. Να φοράτε προσταψίδα κατά της σκόνης και ωτοασπίδες όταν χρησιμοποιείτε το εργαλείο.

ΦΥΛΑΞΤΕ ΑΥΤΕΣ ΤΙΣ ΟΔΗΓΙΕΣ.

ΠΡΟΕΙΔΟΠΟΙΗΣΗ:

ΜΗΝ αφήσετε την άνεση ή την εξοικειωσή σας με το προϊόν (που αποκτήθηκε από επανειλημμένη χρήση) να αντικαταστήσει την αυστηρή προσήλωση στους κανόνες ασφαλείας του εν λόγω προϊόντος. Η ΛΑΝΘΑΣΜΕΝΗ ΧΡΗΣΗ ή η μη τήρηση των κανόνων ασφαλείας που διατυπώνονται στο παρόν εγχειρίδιο οδηγίων μπορεί να προκαλέσει σοβαρό ατομικό τραυματισμό.

ΠΕΡΙΓΡΑΦΗ ΛΕΙΤΟΥΡΓΙΑΣ

ΠΡΟΣΟΧΗ:

- Να βεβαιώνετε πάντοτε ότι το εργαλείο είναι σβηστό και αποσυνδεδεμένο από το ηλεκτρικό ρεύμα πριν ρυθμίσετε ή ελέγξετε κάποια λειτουργία του.

Ρύθμιση του βάθους κοπής

ΠΡΟΣΟΧΗ:

- Μετά τη ρύθμιση του βάθους κοπής, πάντοτε να σφίγγετε καλά το μοχλό. (Εικ. 8)
- Χαλαρώστε το μοχλό στον οδηγό βάθους και μετακινήστε τη βάση πάνω ή κάτω. Στο επιθυμητό βάθος κοπής, ασφαλίστε τη βάση σφίγγοντας τον μοχλό. Για ακρίβεια και ασφάλεια κατά την κοπή, ρυθμίστε το βάθος κοπής ώστε μόνο ένα δόντι του δίσκου να προεξέχει κάτω από το τεμάχιο εργασίας. Η χρήση κατάλληλου βάθους κοπής συμβάλλει στη μείωση της πιθανότητας επικίνδυνου ΚΛΩΤΣΗΜΑΤΟΣ που μπορεί να προκαλέσει τραυματισμό.

Λοξοτομή (Εικ. 9 και 10)

Ξεσφίξτε τις βίδες σύσφιξης. Ρυθμίστε την επιθυμητή γωνία (0° - 45°) δίνοντας την κατάλληλη κλίση και έπειτα σφίξτε καλά τις βίδες σύσφιξης.

Στόχευση (Εικ. 11)

Για ευθείες κοπές, ευθυγραμμίστε τη θέση 0° στο μπροστινό μέρος της βάσης με τη γραμμή κοπής. Για λοξοτομές 45°, ευθυγραμμίστε τη θέση 45° με αυτήν.

Δράση διακόπτη

⚠ ΠΡΟΣΟΧΗ:

- Πριν συνδέετε το εργαλείο, πάντοτε να ελέγχετε ότι η σκανδάλη-διακόπτης ενεργοποιείται κανονικά και επιστρέφει στη θέση "OFF" όταν την αφήνετε.
- Μην τραβάτε τη σκανδάλη-διακόπτη με βία χωρίς να πατάτε το κουμπί απασφάλισης. Αυτό μπορεί να προκαλέσει το στάσιμο του διακόπτη. (Εικ. 12)

Για να μην τραβιέται η σκανδάλη-διακόπτης κατά λάθος, παρέχεται ένα κουμπί απασφάλισης.

Για να ξεκινήσετε τη λειτουργία του εργαλείου, πιάστε το κουμπί απασφάλισης και τραβήξτε τη σκανδάλη-διακόπτη. Για να σταματήσετε το εργαλείο, αφήστε τη σκανδάλη-διακόπτη.

⚠ ΠΡΟΕΙΔΟΠΟΙΗΣΗ:

- Για την ασφάλεια σας, το εργαλείο αυτό παρέχεται με κουμπί απασφάλισης το οποίο αποτρέπει την ενεργοποίηση του εργαλείου κατά λάθος. Μη χρησιμοποιείτε ΠΟΤΕ το εργαλείο αν μπορείτε να το θέσετε σε λειτουργία πιέζοντας απλά τη σκανδάλη-διακόπτη, χωρίς να πιέζετε και το κουμπί απασφάλισης. Στείλτε το εργαλείο σε κέντρο σέρβις της Makita για να επισκευαστεί σωστά ΠΡΙΝ το χρησιμοποιήσετε ξανά.
- ΠΟΤΕ μην κολλήσετε με ταινία το κουμπί απασφάλισης ή ακυρώσετε το λόγο ύπαρξης και τη λειτουργία του.

ΣΥΝΑΡΜΟΛΟΓΗΣΗ

⚠ ΠΡΟΣΟΧΗ:

- Να βεβαιώνετε πάντοτε ότι το εργαλείο είναι σβηστό και αποσυνδεδεμένο από το ηλεκτρικό ρεύμα πριν ρυθμίσετε ή ελέγξετε κάποια λειτουργία του.

Αφαίρεση ή τοποθέτηση πριονόδισκου

⚠ ΠΡΟΣΟΧΗ:

- Βεβαιωθείτε ότι ο δίσκος είναι τοποθετημένος με τα δόντια στραμμένα προς τα πάνω στο μπροστινό μέρος του εργαλείου.
- Να χρησιμοποιείτε μόνο το κλειδί της Makita για να τοποθετήσετε ή για να αφαιρέσετε τον δίσκο.

Για να αφαιρέσετε το δίσκο, πιάστε την ασφάλεια άξονα ώστε να μην μπορεί να περιστραφεί ο δίσκος και χρησιμοποιήστε το κλειδί για να χαλαρώσετε το εξάγωνο μπουλόνι γυρίζοντας το αριστερόστροφα. Κατόπιν, αφαιρέστε το εξάγωνο μπουλόνι, την εξωτερική φλάντζα και τον δίσκο. (Εικ. 13)

Όταν αλλάζετε δίσκους, φροντίστε να καθαρίσετε επίσης το πάνω και κάτω προστατευτικό του δίσκου από τη συσσωρευμένη πριονόσκονη. Ωστόσο, οι ενέργειες αυτές δεν αντικαθιστούν την ανάγκη για έλεγχο της λειτουργίας του κάτω προστατευτικού πριν από κάθε χρήση. (Εικ. 14)

Για εργαλείο με εσωτερική φλάντζα για πριονόδισκο διαμέτρου σπής διαφορετικής των 15,88 mm (Εικ. 15)

Η εσωτερική φλάντζα έχει μια προεξοχή με συγκεκριμένη διάμετρο στη μια πλευρά της και μια προεξοχή με διαφορετική διάμετρο στην άλλη πλευρά. Επιλέξτε τη

σωστή πλευρά με την οποία η προεξοχή ταιριάζει τέλεια μέσα στην τρύπα του πριονόδισκου. Κατόπιν, τοποθετήστε την εσωτερική φλάντζα πάνω στον άξονα στερέωσης, έτσι ώστε η σωστή πλευρά της προεξοχής της εσωτερικής φλάντζα να βλέπει προς τα έξω και στη συνέχεια τοποθετήστε τον πριονόδισκο και την εξωτερική φλάντζα.

ΒΕΒΑΙΩΘΕΙΤΕ ΝΑ ΣΦΙΞΕΤΕ ΚΑΛΑ ΤΟ ΕΞΑΓΩΝΟ ΜΠΟΥΛΟΝΙ ΓΥΡΙΖΟΝΤΑΣ ΤΟ ΔΕΞΙΟΣΤΡΟΦΑ.

⚠ ΠΡΟΣΟΧΗ:

- **Βεβαιωθείτε ότι η προεξοχή "α" στην εσωτερική φλάντζα, που τοποθετείται εξωτερικά, ταιριάζει τέλεια στην τρύπα "α" του πριονόδισκου.** Η τοποθέτηση του δίσκου στη λάθος πλευρά μπορεί να οδηγήσει σε επικίνδυνες δονήσεις.

Για εργαλείο με εσωτερική φλάντζα για πριονόδισκο με τρύπα διαμέτρου 15,88 mm (ανάλογα με τη χώρα) (Εικ. 16 και 17)

Στερεώστε την εσωτερική φλάντζα, με την πλευρά της εσοχής της στραμμένη προς τα έξω, πάνω στον άξονα στερέωσης και στη συνέχεια τοποθετήστε τον πριονόδισκο (με συνδεδεμένο τον δακτύλιο αν απαιτείται), την εξωτερική φλάντζα και το εξάγωνο μπουλόνι. **ΒΕΒΑΙΩΘΕΙΤΕ ΝΑ ΣΦΙΞΕΤΕ ΚΑΛΑ ΤΟ ΕΞΑΓΩΝΟ ΜΠΟΥΛΟΝΙ ΓΥΡΙΖΟΝΤΑΣ ΤΟ ΔΕΞΙΟΣΤΡΟΦΑ.**

⚠ ΠΡΟΕΙΔΟΠΟΙΗΣΗ:

- **Πριν στερεώσετε τον δίσκο επάνω στην άτρακτο, να βεβαιώνετε πάντοτε ότι είναι τοποθετημένος στην άτρακτο ο σωστός δακτύλιος ανάμεσα στην εσωτερική και στην εξωτερική φλάντζα για την τρύπα του άξονα του δίσκου που σκοπεύετε να χρησιμοποιήσετε.** Ο λανθασμένος δακτύλιος της τρύπας της άτρακτου μπορεί να προκαλέσει την εσφαλμένη στερέωση του δίσκου προκαλώντας την κίνηση του δίσκου και την έντονη δόνηση επιφέροντας την πιθανή απώλεια του ελέγχου κατά τη λειτουργία και το σοβαρό προσωπικό τραυματισμό.

Αποθήκευση εξάγωνου κλειδιού (Εικ. 18)

Όταν δεν χρησιμοποιείτε το εξάγωνο κλειδί, αποθηκεύστε το, όπως δείχνεται, για να μην το χάσετε.

Σύνδεση ηλεκτρικής σκούπας (προαιρετικό εξάρτημα) (Εικ. 19 και 20)

Εάν θέλετε να εκτελέσετε κοπές καθαρά, συνδέστε την ηλεκτρική σκούπα της Makita στο εργαλείο σας. Τοποθετήστε το στόμιο σκόνης στο εργαλείο χρησιμοποιώντας τη βίδα. Κατόπιν συνδέστε τον κάκαμπο σωλήνα της ηλεκτρικής σκούπας στο στόμιο σκόνης όπως δείχνεται στην εικόνα.

ΛΕΙΤΟΥΡΓΙΑ

⚠ ΠΡΟΣΟΧΗ:

- Φροντίστε να μετακινείτε ομαλά το εργαλείο προς τα εμπρός, σε ευθεία γραμμή. Αν πιέσετε ή περιστρέψετε το εργαλείο, ενδέχεται να υπερθερμανθεί το μοτέρ και να προκληθεί επικίνδυνος κλώσθημα, που πιθανώς να προκαλέσει σοβαρό τραυματισμό.
- Να χρησιμοποιείτε πάντα την μπροστινή λαβή και το πίσω χερούλι και κατά τη λειτουργία να κρατάτε το

εργαλείο καλά και από την μπροστινή λαβή και από το πίσω χερούλι. (Εικ. 21)

Να κρατάτε το εργαλείο σταθερά. Το εργαλείο είναι εξοπλισμένο με μπροστινή λαβή και με πίσω χερούλι. Να χρησιμοποιείτε και τα δύο για να έχετε καλύτερο κράτημα του εργαλείου. Αν κρατάτε το δισκοπρίονο και με τα δύο χέρια, δεν είναι δυνατό να κοπούν από το δίσκο. Τοποθετήστε τη βάση στο τεμάχιο εργασίας που πρόκειται να κοπεί χωρίς ο δίσκος να το ακουμπά. Κατόπιν, ενεργοποιήστε το εργαλείο και περιμένετε έως ότου ο δίσκος αποκτίσει την πλήρη ταχύτητά του. Τότε, απλά μετακινήστε το εργαλείο προς τα εμπρός πάνω στην επιφάνεια του τεμαχίου εργασίας, κρατώντας το επίπεδο και προωθώντας το ομαλά μέχρι να ολοκληρωθεί η κοπή. Για να πετύχετε ακριβείς κοπές, κρατήστε τη γραμμική κοπής ευθεία και την ταχύτητα προώθησης σταθερή. Εάν η κοπή δεν ακολουθήσει σωστά την προοριζόμενη γραμμική κοπής, μην επιχειρήσετε να γυρίσετε ή να πιέσετε το εργαλείο ξανά στη γραμμική κοπής. Αυτό ενδοχομένως να προκαλέσει την παρεμπόδιση της κίνησης του δίσκου και να οδηγήσει σε ένα επικίνδυνο κλώτσημα και πιθανώς στο σοβαρό τραυματισμό. Αφήστε τον διακόπτη, περιμένετε να ακινητοποιηθεί ο δίσκος και κατόπιν αποσύρετε το εργαλείο. Ευθυγραμμίστε ξανά το εργαλείο σε καινούργια γραμμική κοπής και ξεκινήστε ξανά την κοπή. Προσπαθήστε να αποφύγετε τη θέση η οποία αφήνει εκτεθειμένο το χειριστή σε θραύσματα και πριονίδια που εκτοξεύονται από το δισκοπρίονο. Χρησιμοποιήστε προστατευτικά ματιών για την αποφυγή τραυματισμού.

Οδηγός κοπής (Οδηγός κανόνas) (προαιρετικό εξάρτημα) (Εικ. 22)

Ο πρακτικός οδηγός κοπής σας επιτρέπει να κάνετε ευθείες κοπές με μεγάλη ακρίβεια. Απλά ολισθήστε τον οδηγό κοπής μέχρι να ακουμπήσει στην πλευρά του τεμαχίου εργασίας και ασφαλίστε τον στην θέση του με τη βίδα σύσφιξης στο μπροστινό μέρος της βάσης. Έτσι είναι επίσης δυνατή η επαναλαμβανόμενη κοπή κομματιών σταθερού πλάτους.

ΣΥΝΤΗΡΗΣΗ

⚠ ΠΡΟΣΟΧΗ:

- Να βεβαιώνετε πάντοτε ότι το εργαλείο είναι σβηστό και αποσυνδεδεμένο από το ηλεκτρικό ρεύμα πριν εκτελέσετε οποιαδήποτε εργασία ελέγχου ή συντήρησης σε αυτό.
- **Καθαρίστε το πάνω και κάτω προστατευτικό για να εξασφαλίσετε ότι δεν υπάρχει συσσωρευμένη πριονόσκονη, που ενδέχεται να παρεμποδίσει τη λειτουργία του κάτω προστατευτικού συστήματος.** Ένα βρώμικο προστατευτικό σύστημα μπορεί να μειώσει την εύρυθμη λειτουργία, πράγμα που θα μπορούσε να οδηγήσει σε σοβαρό τραυματισμό. Ο πιο αποτελεσματικός τρόπος για να επιτευχθεί αυτός ο καθαρισμός είναι η χρήση πεπιεσμένου αέρα. **Αν πετάγεται η σκόνη με τον αέρα έξω από τα προστατευτικά φροντίστε να χρησιμοποιήσετε τα κατάλληλα προστατευτικά μέσα για την αναπνοή και τα μάτια.**
- Μην χρησιμοποιήσετε βενζίνη, βενζόλη, διαλυτικό, αλκοόλη ή κάτι παρόμοιο. Μπορεί να προκληθεί αποχρωματισμός, παραμόρφωση ή ρωγμές.

Ρύθμιση παραλληλισμού (Εικ. 23)

Η ρύθμιση του παραλληλισμού μεταξύ του δίσκου και της βάσης έχει γίνει στο εργοστάσιο. Εντούτοις αν υπάρχει εκτροπή, μπορείτε να τον ρυθμίσετε ακολουθώντας την παρακάτω διαδικασία.

Βεβαιωθείτε ότι είναι σφιγμένοι όλοι οι μοχλοί και οι βίδες. Ξεσφίξτε ελαφρώς τις βίδες όπως δείχνεται στο διάγραμμα. Έχοντας ανοικτό τον κάτω προφυλακτήρα, μετακινήστε το πίσω μέρος της βάσης έτσι ώστε να είναι ίσες οι αποστάσεις Α και Β. Μετά τη ρύθμιση, σφίξτε καλά τη βίδα. Κάνετε ένα δοκιμαστικό κόψιμο για να αποκτήσετε τον σωστό παραλληλισμό.

Ρύθμιση για ακρίβεια κοπής 0° (Εικ. 24 και 25)

Αυτή η ρύθμιση έχει γίνει στο εργοστάσιο. Εάν όμως απορυθμιστεί, μετακινήστε τις βίδες ρύθμισης με τη βοήθεια εξάγων κλειδιού καθώς ελέγχετε ότι η γωνία μεταξύ της βάσης και του δίσκου είναι 0° με τη χρήση τριγωνικού κανόνα, τετραγωνικού κανόνα κτλ.

Αλλαγή καρβουνακίων (Εικ. 26)

Να αφαιρείτε και να ελέγχετε τακτικά τα καρβουνάκια. Να αντικαθιστάτε τα καρβουνάκια όταν έχουν φθαρεί έως την ένδειξη ορίου. Να διατηρείτε τα καρβουνάκια καθαρά και ελεύθερα για να γλιστρούν στις υποδοχές. Πρέπει να αλλάζετε ταυτόχρονα και τα δύο καρβουνάκια. Να χρησιμοποιείτε μόνο καρβουνάκια ίδιου τύπου.

Με τη βοήθεια ενός κατασαβιδιού, βγάλτε τα καπάκια υποδοχής των καρβουνακίων. Βγάλτε τα φθαρμένα καρβουνάκια, τοποθετήστε τα καινούργια και ασφαλίστε τα καπάκια υποδοχής των καρβουνακίων. (Εικ. 27) Για να διατηρείται η ΑΣΦΑΛΕΙΑ και η ΑΞΙΟΠΙΣΤΙΑ του προϊόντος, οι εργασίες επισκευής, καθώς και οποιαδήποτε άλλη εργασία συντήρησης ή ρύθμισης, θα πρέπει να εκτελούνται σε εξουσιοδοτημένα κέντρα εξυπηρέτησης της Makita, και πάντοτε με τη χρήση ανταλλακτικών της Makita.

ΠΡΟΑΙΡΕΤΙΚΑ ΑΞΕΣΟΥΑΡ

⚠ ΠΡΟΣΟΧΗ:

- Συνιστάται η χρήση αυτών των αξεσουάρ ή εξαρτημάτων με το εργαλείο της Makita, όπως περιγράφεται στο παρόν εγχειρίδιο. Αν χρησιμοποιήσετε άλλα αξεσουάρ ή εξαρτήματα μπορεί να παρουσιαστεί κίνδυνος για πρόκληση τραυματισμού προσώπων. Να χρησιμοποιείτε τα αξεσουάρ και τα εξαρτήματα μόνο για το σκοπό για τον οποίο προορίζονται.
- Αν χρειάζεστε κάποια βοήθεια ή περισσότερες πληροφορίες σχετικά με τα αξεσουάρ αυτά, απευθυνθείτε στο πλησιέστερο κέντρο εξυπηρέτησης της Makita.
- Πριονόδισκοι
- Οδηγός κοπής (Οδηγός κανόνas)
- Οδηγητική ράγα
- Προσαρμογέας οδηγητικής ράγας
- Ράβδος χάρακα
- Στόμιο σκόνης
- Εξάγωνο κλειδί

ΣΗΜΕΙΩΣΗ:

- Ορισμένα από τα στοιχεία της λίστας μπορεί να περιέχονται στη συσκευασία του εργαλείου ως

κανονικά αξεσουάρ. Αυτά ενδέχεται να διαφέρουν από χώρα σε χώρα.

Θόρυβος ENG905-1

Το σύνθηες σταθμισμένο επίπεδο θορύβου που έχει καθοριστεί σύμφωνα με την EN60745:

Επίπεδο ηχητικής πίεσης (L_{pA}): 87 dB (A)

Επίπεδο ηχητικής ισχύος (L_{WA}): 98 dB (A)

Αβεβαιότητα (K): 3 dB (A)

Να φοράτε ωτοασπίδες.

Δόνηση ENG900-1

Η συνολική τιμή δόνησης (διανυσματικό άθροισμα τριών αξόνων) που έχει καθοριστεί σύμφωνα με την EN60745:

Λειτουργία: κοπή ξυλείας

Εκπομπή δόνησης ($a_{h,w}$): 2,5 m/s² ή λιγότερο

Αβεβαιότητα (K): 1,5 m/s²

ENG901-1

- Η δηλωθείσα τιμή των παραγομένων κραδασμών έχει καταμετρηθεί σύμφωνα με την τυποποιημένη μέθοδο δοκιμασίας και μπορεί να χρησιμοποιηθεί για την σύγκριση ενός εργαλείου με ένα άλλο.
- Η δηλωθείσα τιμή των παραγομένων κραδασμών μπορεί επίσης να χρησιμοποιηθεί για μια προκαταρκτική αξιολόγηση της έκθεσης στους κραδασμούς.

⚠️ ΠΡΟΕΙΔΟΠΟΙΗΣΗ:

- Η εκπομπή κραδασμών κατά τη διάρκεια της πραγματικής χρήσης του ηλεκτρικού εργαλείου μπορεί να διαφέρει από τη δηλωθείσα τιμή των εκπομπών, ανάλογα με τον τρόπο με τον οποίο χρησιμοποιείται το εργαλείο.
- Φροντίστε να λάβετε τα μέτρα ασφαλείας που απαιτούνται για την προστασία του χρήστη που βασίζονται σε μια εκτίμηση της έκθεσης σε πραγματικές συνθήκες χρήσης (λαμβάνοντας υπόψη όλα τα μέρη του κύκλου λειτουργίας, όπως είναι οι περιπτώσεις κατά τις οποίες το εργαλείο είναι απενεργοποιημένο και όταν λειτουργεί στο ρελαντί επιπροσθέτως του χρόνου κατά τον οποίο το εργαλείο βρίσκεται σε χρήση).

Για τις ευρωπαϊκές χώρες μόνο ENH101-18

EK – Δήλωση συμμόρφωσης

Η Makita δηλώνει ότι το παρακάτω μηχάνημα(τα):

Όνομασία μηχανήματος:

Δισκοπρίονο

Αρ. Μοντέλου/Τύπος: HS7601

Συμμορφώνονται με τις ακόλουθες Ευρωπαϊκές

Οδηγίες:

2006/42/EK

Κατασκευάζονται σύμφωνα με το παρακάτω πρότυπο ή τυποποιημένα έγγραφα:

EN60745

Το τεχνικό αρχείο σύμφωνα με την 2006/42/EK είναι διαθέσιμο από:

Makita, Jan-Baptist Vinkstraat 2, 3070, Belgium

21. 4. 2014



Yasushi Fukaya

Διευθυντής

Makita, Jan-Baptist Vinkstraat 2, 3070, Belgium

TÜRKÇE (Orijinal talimatlar)

Genel görünüm

- | | | |
|-----------------------------|--------------------|-------------------------|
| 1. Mandal | 10. Sıkılır | 19. Elektrik süpürgesi |
| 2. Sıkıştırma vidası | 11. İç flanş | 20. Hortum |
| 3. Kesim hattı (0° konumu) | 12. Testere bıçağı | 21. Kılavuz mesnedi |
| 4. Kesim hattı (45° konumu) | 13. Dış flanş | 22. Üçgen gönye |
| 5. Açma/kapama düğmesi | 14. Cıvata | 23. Sınır çizgisi |
| 6. Kilitleme düğmesi | 15. Montaj şaftı | 24. Tornavida |
| 7. Alyan anahtarı | 16. Halka | 25. Fırça yuvası kapağı |
| 8. Şaft kilidi | 17. Toz nozülü | |
| 9. Gevşer | 18. Vida | |

ÖZELLİKLER

Model	HS7601	
Bıçak çapı	190 mm	
Maks. kesim derinliği	0°'de	66 mm
	45°'de	46 mm
Yüksüz hız	5.200 dak ⁻¹	
Toplam uzunluk	309 mm	
Net ağırlık	4,0 kg	
Güvenlik sınıfı	□/II	

- Sürekli yapılan araştırma ve geliştirmelerden dolayı, burada belirtilen özellikler önceden bildirilmeksizin değiştirilebilir.
- Özellikler ülkeden ülkeye farklılıklar gösterebilir.
- EPTA Prosedürü 01/2003 uyarınca ağırlık

Kullanım amacı

ENE078-2

Bu makine ahşap malzemelerde tam temas sağlayarak enlemesine ve çaprazlamasına ve ayrıca köşe bentlerde düz kesimler yapılması için tasarlanmıştır. Uygun orijinal Makita testere bıçakları kullanılarak başka malzemeler de kesilebilir.

Güç kaynağı

ENF002-2

Makine yalnızca üzerindeki etikette belirtilen voltaj değerlerine sahip, tek fazlı AC güç kaynaklarına bağlanmalıdır. Çift yalıtımlıdır ve bu nedenle topraksız prizlerle de kullanılabilir.

Genel Elektrikli Aletler Güvenlik Uyarıları

GEA010-1

⚠ UYARI Tüm güvenlik uyarılarını ve tüm talimatları okuyun. Verilen uyarılara ve talimatlara uyulmaması elektrik çarpmasına, yangına ve/veya ciddi yaralanmalara yol açabilir.

Tüm uyarıları ve talimatları ilerde başvurmak üzere saklayın.

SUNTA KESMEYLE İLGİLİ GÜVENLİK UYARILARI

GEB013-7

Kesim prosedürleri

1. **⚠ TEHLİKE:** Ellerinizi daima kesim alanından ve bıçaktan uzak tutun. Diğer elinizi yardımcı tutamak ya da motor muhafazası üzerinden ayırmayın. Makineyi her iki elinizle tutarsanız, bıçak ellerinizi kesemez.

2. **İş parçasının altına uzanmayın.** Muhafaza sizi iş parçasının altına geçen bıçaktan koruyamaz.
3. **Kesme derinliğini iş parçasının kalınlığına göre ayarlayın.** Bıçak dişlerinin tam bir diş boyundan biraz daha azının iş parçasının altından görünmesi gerekir.
4. **Kesilen parçayı kesinlikle elinizde ya da bacıklarınızın arasında tutmayın. İş parçasını sabit bir platform üzerine sabitleyin.** Çalışırken tehlikeye maruz kalma ihtimalinizi, bıçağın takılmasını ve kontrol kaybını en aza indirmek için iş parçasının doğru şekilde desteklenmesi çok önemlidir. **Kullanıcının makineyi tutma şekli, iş parçasının desteklenmesi ve güç kablosunun (varsa) geçirilmesi açısından ideal bir uygulama. (Şekil 1)**
5. **Gömülü elektrik kablolarına veya kendi kablosuna temas etmesine yol açabilecek çalışmalarda makineyi yalnızca izole edilmiş saplarından tutun.** "Akım" geçen bir kabloya temas edilmesi durumunda, üzerindeki metal parçalara da "akım" iletilir ve kullanıcıyı elektrik çarpabilir.
6. **Oluk açma işlemi sırasında mutlaka bir kılavuz mesnedi veya düz kenarlı bir kılavuz kullanın.** Böylece, kesimin düzgünlüğü artar ve bıçağın eğilme şansı azalır.
7. **Daima çark şaftı yuvalarına uygun boyda ve şekilde (elmas ya da yuvarlak) bıçaklar kullanın.** Makine gövdesindeki montaj noktalarına uymayan bıçaklar eksantrik dönüşlerle kontrol kaybına neden olur.
8. **Hasarlı veya yanlış bıçak pulları ve cıvataları kesinlikle kullanılmamalıdır.** Bıçak pulları ve cıvataları optimum performans ve çalışma güvenliği sağlamak amacıyla makineniz için özel olarak tasarlanmıştır.

Geri tepmenin nedenleri ve ilgili uyarılar

- geri tepme sıkışan, bağlanan veya yanlış yerleştirilen bıçağa verilen ani bir tepki olup, makinenin iş parçasından kontrolsüz şekilde sekerek operatöre doğru yönelmesine neden olur.
- bıçak, aşağı doğru daralan oluğu sıkışması veya takılması halinde, istenmedik şekilde durur ve motorun tepkisi makineyi hızla operatöre doğru iter.
- kesme sırasında bıçak ayarı bozulur veya bıçak eğilirse, bıçağın arka kenarındaki diş, kesilen malzemenin üst yüzeyine girerek bıçağın oluktan dışarı çıkmasına ve dolayısıyla operatöre doğru geri sıçramasına neden olabilir.

Geri tepme, makinenin yanlış kullanımının ve/veya yanlış işlemlerle ya da yanlış koşullar altında çalıştırılmasının bir sonucudur ve kaçınılması için aşağıdaki önlemlerin alınması gerekir.

9. **Her iki elinizle makineyi sıkıca tutmaya devam edin ve kollarınızla geri tepme kuvvetine karşı koyun. Vücudunuzu bıçağın sağ veya sol tarafına doğru kaçırın, kesinlikle bıçakla aynı hizada kalmayın.** Geri tepme, makineyi geriye doğru sıçratabilir; ancak, doğru önlemler alınırsa, geri tepme kuvvetleri operatör tarafından kontrol edilebilir.
10. **Bıçak sıkıştığında ya da herhangi bir nedenle kesme işlemi kesintiye uğradığında, açma/kapama düğmesini bırakın ve bıçak tamamen duruncaya kadar makineyi iş parçası üzerinde hareket ettirmeden tutun. Bıçak dönmeye devam ederken makineyi kesinlikle iş parçası üzerinden kaldırmaya çalışmayın ve makineyi geriye doğru çekmeyin; aksi takdirde, geri tepme meydana gelebilir.** Bıçağın sıkışmasının nedenlerini araştırın ve bunları ortadan kaldırmak için gerekli düzeltici önlemleri alın.
11. **İş parçası üzerinde makineyi yeniden çalıştırırken bıçağı, kesilmiş oluğu ortalarak yerleştirin ve bıçak dişinin malzemenin içine saplanmamış olmasına dikkat edin.** Bıçak o anda sıkışmışsa, makine yeniden çalıştırıldığı zaman dışarı doğru yürüyebilir ya da iş parçasından geriye tepelir.
12. **Bıçağın sıkışıp geri tepmesi riskini en aza indirmek için büyük panoları destekleyin.** Büyük panolar kendi ağırlıkları altında bel verme eğilimi gösterirler. Panoların her iki tarafında, kesim çizgisinin her iki yanının ve pano kenarlarının altına destekler yerleştirilmelidir.
Geri tepmeden kaçınmak için kesilen levhayı veya panoyu kesim çizgisinin yakınından destekleyin. (Şekil 2)
Levhayı veya panoyu kesim çizgisinin uzağından desteklemeyin. (Şekil 3)
13. **Kör ve hasarlı bıçaklar kullanmayın.** Bilenmemiş ya da düzgün ayarlanmamış bıçaklar dar kesikler açarak sürtünmenin artmasına, bıçağın sıkışmasına ve geri tepmeye neden olurlar.
14. **Kesme işlemine başlamadan önce bıçak derinliği ve eğim ayarı kilitleme mandallarının sıkıca sabitlenmiş olması gerekir.** Kesme sırasında bıçak ayarı değişirse, bıçak sıkışarak geri tepmeye neden olabilir.
15. **Mevcut duvarlar veya diğer kör alanlar yakınında kesim yaparken daha dikkatli olun.** Bıçağın çıkıntısı geri tepmeye neden olabilecek nesnelere kesebilir.

16. **Makineyi DAİMA iki elinizle sıkıca kavrayın. Elinizi ya da parmaklarınızı KESİNLİKLE bıçağın arkasında tutmayın.** Geri tepme meydana gelirse, makine kolaylıkla geriye doğru ellerinizin üzerine sıçrayabilir ve ciddi şekilde yaralanmanıza neden olabilir. (Şekil 4)

17. **Makineyi hiçbir zaman zorlamayın. Makineyi ileriyeye doğru öyle bir hızla itin ki, bıçak yavaşlamadan kesme yapabilsin.** Makinenin zorlanması düzgün olmayan kesiklerin açılmasına, doğruluğunun kaybolmasına ve geri tepmelere neden olabilir.

Alt muhafaza işlevi

18. **Her kullanımdan önce, uygun kapanma sağlamak için alt muhafazayı kontrol edin. Alt muhafaza serbest şekilde hareket etmiyor ve hemen kapanmıyorsa makineyi çalıştırmayın. Alt muhafazayı kesinlikle açık konumda sıkıştırmayın veya bağlamayın.** Makine kaza ile düşecek olursa, alt muhafaza eğilebilir. Alt muhafazayı geri çekme koluyla yükseltin ve serbestçe hareket ettirdiğinde ve her açı ve kesim derinliğinde bıçağa ya da herhangi başka bir parçaya temas etmediğinden emin olun.
 19. **Alt muhafaza yayının çalışmasını kontrol edin. Muhafaza ve yay düzgün çalışmıyorsa, kullanmadan önce bakımları yapılmalıdır.** Hasarlı parçalar, reçine artıkları veya birikmiş kirler nedeniyle alt muhafaza işlevini yerine getiremiyor olabilir.
 20. **Alt muhafaza sadece “dalma kesmesi” ve “karışık kesmeler” gibi özel amaçlı kesmelerde elle geri çekilmelidir. Alt muhafazayı geri çekme sapı yardımıyla yükseltin; bıçak malzemenin içine girer girmez alt muhafaza serbest bırakılmamalıdır.** Alt muhafaza, diğer tüm kesme işlemlerinde otomatik olarak çalışmalıdır.
 21. **Makineyi tezgaha veya zemine bırakmadan önce mutlaka alt muhafazanın bıçağı tamamen kapattığını kontrol edin.** Korumasız, dönmeye devam etmekte olan bir bıçak, makinenin geriye doğru yürütülmesi nedeniyle olarak önüne gelen her şeyi keser. Açma/kapama düğmesi serbest bırakıldıktan sonra bıçağın tamamen durması için geçen süreyi öğrenin.
 22. **Alt muhafazayı kontrol etmek için alt muhafazayı elle açın, sonra birakarak muhafazanın kapanıp kapanmadığına bakın. Ayrıca, geri çekme kolunun makine yuvasına temas etmediğini de kontrol edin.** Bıçağı açık bırakmak ÇOK TEHLİKELİDİR ve ciddi yaralanmalara neden olabilir.
- ## **İlave güvenlik uyarıları**
23. **Nemli tahtaları, basınçla muamele edilmiş keresteleri veya düğümlü tahtaları keserken daha dikkatli olun.** Bıçak uçlarının aşırı ısınmasını önlemek için, bıçak hızını düşürmeden makineyi yavaşça ilerletin.
 24. **Bıçak hareket ederken kesilen malzemeyi çıkarmaya çalışmayın. Kesilen malzemeye dokunmadan önce bıçağın durmasını bekleyin.** Makine kapatıldıktan sonra bıçaklar bir süre dönebilir.
 25. **Çivileri kesmekten kaçının. Çalışmaya başlamadan önce kesilecek malzeme üzerinde çivi olup olmadığını kontrol edin, varsa çıkartın.**
 26. **Makine gövdesinin büyük kısmını iş parçasının sağlam şekilde desteklenen bölümü üzerine koyun; kesme işlemi bittiğinde düşecek parçanın üzerine koymayın. Şekil 5'te ahşap iş parçası ucu**

DOĞRU kesilirken, Şekil 6'da YANLIŞ kesilmektedir. İş parçası kısa veya küçükse, sıkıca kısırtın. KISA PARÇALARI ELİNİZLE TUTMAYA ÇALIŞMAYIN!

27. Kesme işlemini bitirdikten sonra makineyi bir yere koymadan önce, alt muhafazanın kapandığından ve bıçağın tamamen durduğundan emin olun.
28. Kesme işlemini kesinlikle sunta kesmeyi mengineye baş aşağı sıkıştırarak yapmaya çalışmayın. Bu son derece tehlikelidir ve ciddi yaralanmalara yol açabilir. (Şekil 7)
29. Bazı malzemeler zehirli olabilecek kimyasal maddeler içeriyor olabilir. Tozu solumamaya dikkat edin ve cilt temasından kaçının. Malzeme üreticisinin güvenlik uyarılarını dikkate alın.
30. Bıçakları, makine üzerine yanal basınç uygulayarak durdurmaya çalışmayın.
31. Aşındırıcı diskler kullanmayın.
32. Yalnızca makine üzerinde veya kılavuzda belirtilen çaptaki testere bıçaklarını kullanın. Yanlış boyutta bıçakların kullanılması, bıçağın doğru şekilde muhafaza edilememesine veya muhafaza işlevinin bozulmasına yol açarak, ciddi yaralanmalarla sonuçlanabilir.
33. Bıçakları temiz ve keskin tutun. Bıçaklar üzerinde sertleşen reçine ve ahşap çapakları makineyi yavaşlatarak, geri tepme ihtimalini artırır. Bıçakları temizlemek için önce makineden çıkartın ve ardından reçine ve tahta çapağı sökücü, sıcak su veya gaz yağı ile temizleyin. Kesinlikle benzin kullanmayın.
34. Makineyi kullanırken toz maskesi ve kulak koruyucu takın.

BU TALİMATLARI SAKLAYIN.

⚠ UYARI:

Ürünü kullanırken defalarca kullanmanın getirdiği rahatlık ve tanıdıklık duygusunun, güvenlik kurallarına sıkı sıkıya bağlı kalmanızı önlemesine İZİN VERMEYİN. YANLIŞ KULLANIM veya bu kullanım kılavuzunda belirtilen güvenlik kurallarına uyulmaması ciddi yaralanmalara neden olabilir.

KULLANIMA İLİŞKİN TANIMLAR

⚠ DİKKAT:

- Makine üzerinde herhangi bir ayar veya çalışma kontrolü yapmadan önce mutlaka makinenin kapalı ve fişinin çekili olduğundan emin olun.

Kesim derinliğinin ayarlanması

⚠ DİKKAT:

- Kesim derinliğini ayarladıktan sonra mandalı mutlaka iyice sıkın. (Şekil 8)
- Derinlik kılavuzundaki mandalı gevşetin ve tabanı yukarı veya aşağı doğru hareket ettirin. İstenilen kesim derinliğine gelince, mandalı sıkarak tabanı sabitleyin. Daha temiz ve daha güvenli kesimler için kesim derinliğini bıçak dişlerinden yalnızca bir tanesi iş parçasının altından çıkacak şekilde ayarlayın. Doğru kesim derinliklerinin kullanılması, yaralanmalara neden olabilecek potansiyel GERİ TEPME risklerini azaltır.

Eğimli kesim (Şekil 9 ve 10)

Sıkıştırma vidasını gevşetin. Uygun biçimde eğerek istediğiniz açığa (0° - 45°) getirin ve ardından sıkıştırma vidasını iyice sıkın.

Hizalama (Şekil 11)

Düz kesimlerde, tabanın ön kısmındaki 0° konumunu kesim hattınıza ayarlayın. 45°'lik eğimli kesimlerde 45° konumunu ayarlayın.

Açma/kapama işlemi

⚠ DİKKAT:

- Makineyi fişe takmadan önce, açma/kapama düğmesinin doğru şekilde çalışıp çalışmadığını ve serbest bırakıldığında "KAPALI" konumuna dönüp dönmediğini mutlaka kontrol edin.
- Kilitleme düğmesine basmadan önce açma/kapama düğmesini zorlamayın. Aksi takdirde, açma/kapama düğmesi kırılabilir. (Şekil 12)

Açma/kapama düğmesine yanlışlıkla basılmasını önlemek için makede bir kilitleme düğmesi bulunur. Makineyi çalıştırmak için kilitleme düğmesini basarak açın ve açma/kapama düğmesine basın. Makineyi durdurmak için parmağınızı açma/kapama düğmesinden çekin.

⚠ UYARI:

- Güvenliğiniz için yanlışlıkla çalıştırmayı önlemek amacıyla, makede bir kilitleme düğmesi mevcuttur. Kilitleme düğmesine basmadığınız halde açma/kapama düğmesine bastığınızda makine çalışıyorsa, makineyi KESİNLİKLE kullanmayın. Makineyi kullanmadan ÖNCE bir Makita servis merkezine götürerek gerekli onarımları yaptırın.
- Kilitleme düğmesini KESİNLİKLE bantlamayın veya amaç ve işlevini engellemeyin.

MONTAJ

⚠ DİKKAT:

- Makine üzerinde herhangi bir ayar veya çalışma kontrolü yapmadan önce mutlaka makinenin kapalı ve fişinin çekili olduğundan emin olun.

Testere bıçağının sökülmesi ve takılması

⚠ DİKKAT:

- Bıçağın, makinenin ön tarafından bakıldığında dişler yukarıyı gösterecek şekilde takıldığından emin olun.
 - Bıçağın takılması ve sökülmesi için yalnızca ürünle verilen Makita anahtar kullanılmalıdır.
- Bıçağı sökmek için saft kilidini sıkıca bastırarak bıçağın dönmelerini önleyin, daha sonra anahtar kullanarak civatayı saat yönünün tersine gevşetin. Civatayı, dış flanşı ve bıçağı çıkartın. (Şekil 13)
- Bıçağı değiştirirken üst ve alt bıçak muhafazalarında biriken talaşları da temizlemeyi unutmayın. Ancak bu işlemi yapmış olmanız alt muhafazanın her kullanımdan önce mutlaka kontrol edilmesi şartını ortadan kaldırmaz. (Şekil 14)

15,88 mm'lik delik çapına sahip testere bıçakları dışındaki bıçaklara uygun iç flanşlı makineler için (Şekil 15)

İç flanş her iki tarafında farklı açılarda çıkıntılara sahiptir. Çıkıntı, testere bıçağı deliğine tam olarak uyacak şekilde doğru tarafı seçin.

Ardından, iç flanş, iç flanş üzerindeki doğru çıkıntı tarafı dışarı bakacak şekilde montaj şaftına takın ve testere bıçağını ve dış flanşı yerleştirin.

CIVATAYI SAAT YÖNÜNDE İYİCE SIKTIĞINIZDAN EMİN OLUN.

⚠ DİKKAT:

- Dışarı doğru konumlandırılan iç flanşın “a” çıkıntısının, “a” testere bıçağı deliğine tam olarak oturduğundan emin olun. Bıçağın yanlış tarafa takılması tehlikeli titreşimlere neden olabilir.

15,88 mm'lik delik çapına sahip testere bıçakları için uygun iç flanşlı makineler için (ülkeye özel) (Şekil 16 ve 17)

İç flanş boşluklu tarafı dışarı, montaj şaftına bakacak şekilde yerleştirin ve ardından testere bıçağını (varsa, halkası takılı şekilde), dış flanş ve civatayı takın. CIVATAYI SAAT YÖNÜNDE İYİCE SIKTIĞINIZDAN EMİN OLUN.

⚠ UYARI:

- Bıçağı mil üzerine takmadan önce mutlaka kullanmayı planladığınız bıçağın mil deliğine uygun halkanın, iç ve dış flanşlar arasına takıldığından emin olun. Yanlış bir mil deliği halkasının kullanılması, bıçağın yanlış takılmasına ve böylece bıçağın hareket ederek ve ciddi titreşimlere neden olarak çalışma sırasında kontrolün kaybedilmesine ve ciddi yaralanmalara yol açabilir.

Alyan anahtarının saklanması (Şekil 18)

Alyan anahtar kullanılmadığında, kaybolmaması için şekilde gösterildiği gibi saklanmalıdır.

Elektrik süpürgesinin bağlanması (opsiyonel aksesuar) (Şekil 19 ve 20)

Temiz bir kesim işlemi yapmak istiyorsanız, makineye bir Makita elektrik süpürgesi bağlayın. Vidayı kullanarak toz nozülünü makinenin üzerine takın. Ardından, elektrik süpürgesinin hortumunu şekilde gösterildiği gibi toz nozülüne takın.

ÇALIŞTIRMA

⚠ DİKKAT:

- Makineyi düz bir çizgi üzerinde ve yumuşak bir şekilde ileriye ittiğinizden emin olun. Makinenin zorlanması ve bükülmesi, motorun aşırı ısınmasına ve tehlikeli geri tepmelere neden olarak, ciddi yaralanmalara yol açabilir.
 - Makineyi çalıştırırken mutlaka ön sapı ve arka kolu kullanın ve makineyi hem ön saptan hem de arka koldan tutarak, sıkı bir şekilde kavrayın. (Şekil 21)
- Makineyi sıkıca kavrayın. Makinede hem ön sap, hem de arka kol bulunmamaktadır. Makineyi en iyi şekilde tutabilmek için her ikisini de kullanın. Makineyi iki elinizle tutarsanız, bıçak ellerinizi kesemez. Gövde tabanını, bıçak hiçbir yere temas etmeyecek şekilde kesilecek iş parçasından

üzerine yerleştirin. Ardından, makineyi çalıştırın ve bıçak tam hızına ulaşıncaya kadar bekleyin. Makineyi düz tutarak ve kesim işlemi bitinceye kadar yavaşça ilerleyecek şekilde iş parçasının üzerine doğru yürütün. Temiz kesimler elde edebilmek için kesim hattınızı düz ve kesim hızınızı sabit tutun. Kesim işlemi istediğiniz hat üzerinde düzgün şekilde yapamıyorsanız, makineyi kesim çizgisi üzerine getirmek için çevirmeyin ve zorlamayın. Bu durum bıçağın sıkışmasına neden olarak tehlikeli geri tepmeye ve dolayısıyla yaralanma riskinin artmasına yol açacaktır. Açma/kapama düğmesini serbest bırakın, bıçağın durmasını bekleyin ve sonra makineyi geri çekin. Makineyi yeni bir kesim çizgisine ayarlayın ve yeniden kesmeye başlayın. Operatör, makineden çıkan çapaklara ve talaş tozuna maruz kalabileceği şekilde durmamalıdır. Olası yaralanmaların önüne geçmek için göz koruyucu kullanın.

Kılavuz mesnedi (Kılavuz cetveli) (opsiyonel aksesuar) (Şekil 22)

Elle kolayca tutulabilen kılavuz mesnedi ekstra düzgün kesimler yapmanızı sağlar. Kılavuz mesnedini iş parçasının kenarına sıkıca kaydırarak tabanın ön kısmında bulunan sıkıştırma vidası yardımıyla yerine sabitleyin. Bu işlem ayrıca mümkün olduğunca sabit genişlikte çok sayıda kesim yapmanızı sağlar.

BAKIM

⚠ DİKKAT:

- Makine üzerinde kontrol veya bakım işlemlerine başlamadan önce mutlaka makinenin kapalı ve fişinin çekili olduğundan emin olun.
- Alt muhafaza sisteminin çalışmasını etkileyebilecek testere talaşı kalmadığından emin olmak için, üst ve alt muhafazaları temizleyin. Kirliliği bir muhafaza sistemi, doğru çalışmayı engelleyebilir ve ciddi yaralanmalara yol açabilir. En etkili yöntem, basınçlı hava kullanılarak temizlenmesidir. **Toz, muhafazalardan dışarı üfleniyorsa, uygun göz ve solunum koruyucu ekipmanları kullandığınızdan emin olun.**
- Kesinlikle gazolin, benzin, tiner, alkol veya benzeri bir madde kullanmayın. Aksi takdirde renk bozulması, deformasyon veya çatlaklar meydana gelebilir.

Paralellik ayarı (Şekil 23)

Bıçak ile taban arasındaki paralellik fabrikada ayarlanır. Bu ayarın bozulması durumunda, aşağıda açıklanan prosedürü takip ederek tekrar ayarlayabilirsiniz. Tüm mandalların ve vidaların sıkıldığından emin olun. Vidayı gösterildiği gibi hafifçe gevşetin. Alt muhafazayı açarken, tabanın arka tarafını A ve B mesafeleri eşit olacak şekilde hareket ettirin. Ayar işleminden sonra vidayı sıkın. Paralellüğün doğru şekilde ayarlandığını kontrol etmek için bir deneme kesimi gerçekleştirin.

0° kesim için hassasiyet ayarı (Şekil 24 ve 25)

Bu ayar fabrika çıkışında yapılmıştır. Ancak, yapılmış olan bu ayarın bozulması durumunda, bıçak ile gövde tabanı arasında 0° açı ayarını yapmak için bir üçgen veya kare

gönye ve bir Alyan anahtarı yardımıyla ayar vidalarını ayarlayın.

Karbon fırçaların değiştirilmesi (Şekil 26)

Karbon fırçaları düzenli olarak çıkartın ve kontrol edin. Sınır çizgisine kadar aşınan karbon fırçaları değiştirin. Karbon fırçaları yuvanın içinde kayabileceği şekilde temiz tutun. Her iki karbon fırça aynı anda değiştirilmelidir. Aşınan karbon fırçaları mutlaka aynı tipte fırçalar ile değiştirin.

Fırça yuvası kapaklarını açmak için bir tornavida kullanın. Aşınmış karbon fırçaları çıkartın ve yenilerini taktıktan sonra fırça yuvası kapağı geri vidalayın. (Şekil 27) Ürünün EMNİYETLİ ve GÜVENİLİR durumda kalmasını sağlamak için tüm onarımlar, bakım ve ayarlar Makita yetkili servisleri veya fabrika servis merkezleri tarafından Makita yedek parçaları kullanılarak yapılmalıdır.

OPSİYONEL AKSESUARLAR

⚠ DİKKAT:

- Bu kullanım kılavuzunda tanıtilan Makita marka makineyle aşağıdaki aksesuarların ve parçaların kullanılması önerilir. Bunların dışında başka aksesuarların veya parçaların kullanılması yaralanmalara yol açabilir. Aksesuarlar ve parçalar doğru şekilde ve öngörüldükleri işlevler için kullanılmalıdır.

Aksesuarlara ilişkin daha ayrıntılı bilgi almak için size en yakın yetkili Makita servisine başvurabilirsiniz.

- Testere bıçakları
- Kılavuz mesnedi (Kılavuz cetveli)
- Kılavuz rayı
- Kılavuz ray adaptörü
- Ölçek çubuğu
- Toz nozülü
- Alyan anahtarı

NOT:

- Listedeki bazı parçalar makineyle birlikte standart aksesuar olarak verilebilir. Ürünle verilen aksesuarlar ülkeden ülkeye farklılıklar gösterebilir.

Gürültü

ENG905-1

EN60745 uyarınca belirlenen tipik A ağırlıklı gürültü seviyesi:

Ses basıncı seviyesi (L_{pA}): 87 dB (A)

Ses gücü seviyesi (L_{WA}): 98 dB (A)

Belirsizlik (K): 3 dB (A)

Koruyucu kulaklık takın.

Titreşim

ENG900-1

EN60745'e göre belirlenen toplam titreşim değeri (üç eksenli vektörel toplam):

Çalışma modu: ahşap kesme

Titreşim emisyonu ($a_{h,W}$): 2,5 m/sn² veya altı

Belirsizlik (K): 1,5 m/sn²

ENG901-1

- Belirtilen titreşim emisyonu değeri, standart test yöntemine göre ölçülmüştür ve makinenin diğer makinelerle karşılaştırılması için kullanılabilir.
- Belirtilen titreşim emisyonu değeri ayrıca maruziyetin ön değerlendirilmesinde de kullanılabilir.

⚠ UYARI:

- Elektrikli aletin gerçek kullanımı sırasında ortaya çıkacak titreşim emisyonu, aletin kullanıma şekline bağlı olarak belirtilen emisyon değerinden farklı olabilir.
- Gerçek kullanım koşullarındaki maruziyeti tahmin ederek (örneğin, aletin açılma süresine ek olarak kapalı konuma getirildiği ve rölandide çalıştığı süreler gibi çalışma döngüsünün tüm bileşenlerini dikkate alın), kullanıcıyı korumak için gerekli güvenlik önlemlerinin alındığından emin olun.

Yalnızca Avrupa ülkeleri için

ENH101-18

AT Uygunluk Beyanı

Makita aşağıdaki Makine(ler) ile ilgili şu hususları beyan eder:

Makinenin Adı:

Sunta Kesme

Model Numarası/Tipi: HS7601

Şu Avrupa Yönergelerine uygundur:

2006/42/EC

Şu standartlara veya standartlaştırılmış belgelere uygun olarak üretilmiştir:

EN60745

2006/42/EC'ye uygun teknik dosyaya şu adresten ulaşılabilir:

Makita, Jan-Baptist Vinkstraat 2, 3070, Belçika

21. 4. 2014



Yasushi Fukaya
Müdür

Makita, Jan-Baptist Vinkstraat 2, 3070, Belçika

Makita Jan-Baptist Vinkstraat 2, 3070, Belgium
Makita Corporation Anjo, Aichi, Japan

885382-996

www.makita.com

ALA